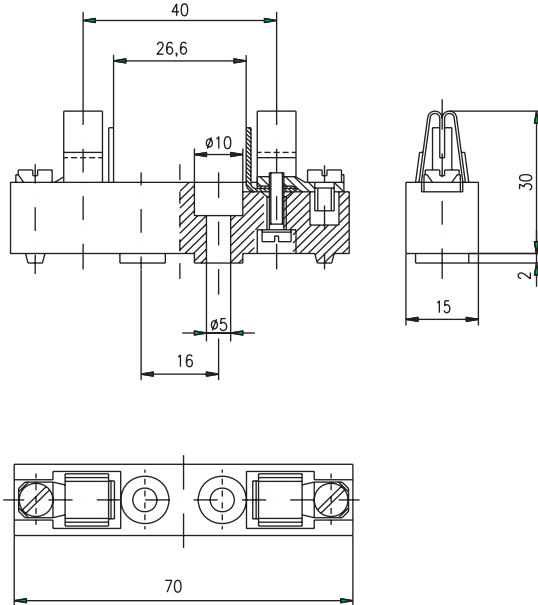


Holder / No. 416

Screw Mount, for Surge Arresters Type A

Specifications



**Packaging**

loose in cardboard box (50 pcs.)

**Mounting**

Mounting holes D = 5 mm  
Electrical connection with fixing screws M 4 x 6 mm

**Materials**

Ni plated alloys and porcelain socket

**Electrical Data (23°C)**

Max. impulse discharge current 20 kA  
Max. alternating discharge current 40 A (50 Hz)

**Unit Weight**

46.5 g

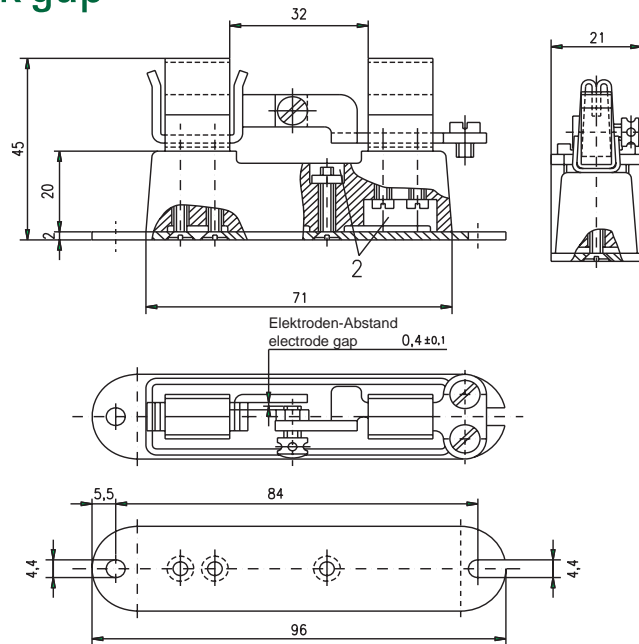
Order Information

Qty.	Order Number	Series		Type
		416	0000	100

Holder / No. 740 with spark gap

Screw Mount, for Surge Arresters Type A

Specifications



**Packaging**

loose in cardboard box (20 pcs.)

**Mounting**

Mounting holes D = 4 mm  
Electrical connection with fixing screws M 4 x 6 mm

**Materials**

Ni plated alloys and porcelain socket

**Electrical Data (23°C)**

Max. impulse discharge current 20 kA  
Max. alternating discharge current 40 A (50 Hz)  
Breakdown voltage spark gap < 2 kV (without arrester)

**Unit Weight**

124.0 g

Order Information

Qty.	Order Number	Series		Type
		740	0000	100

Specifications are subject to change without notice