

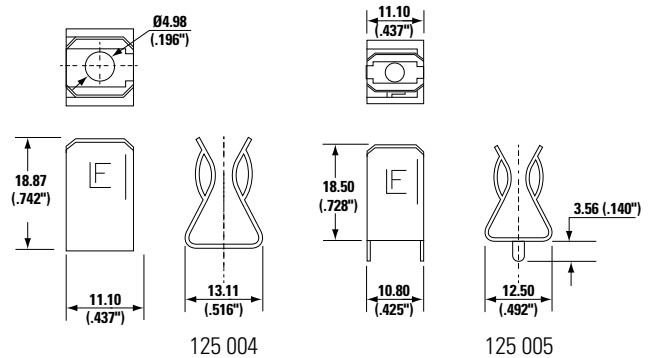
125 Series Rivet/Eyelet and Circuit Board Mount Clips for Midget (13/32") Diameter Solar Fuses RoHS



Product Characteristics

Compatible Fuse Size	13/32" Diameter Fuses
Current Level	30 Amperes Max.

Product Dimensions



Agency Approval

Agency	Agency File Number
	E14721

Additional Information

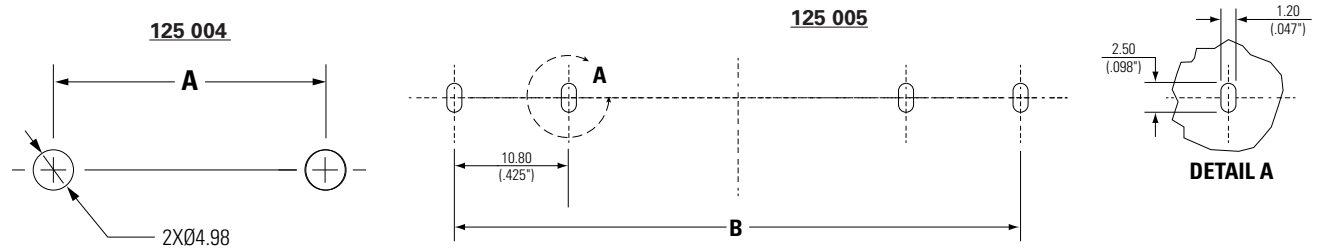
Datasheet
125 Series

Resources
125 Series

Samples
125 Series

Recommended Mounting Dimensions

Nominal Fuse Length	"A" Length	"B" Length
38	30.68	41.76
85	77.24	88.24



Ordering Information

Part Number	Catalog No.	Clip Material	Plating	Style	Packaging
Rivet/Eyelet Mount Clips					
01250004H	125 004	Phosphor Bronze	Silver-plated with Anti-tarnish	Ear	Bulk (100 pieces)
Circuit Board Mount Clips					
01250005H	125 005	Phosphor Bronze	Silver-plated with Anti-tarnish	Ear	Bulk (100 pieces)

Disclaimer Notice - Information furnished is believed to be accurate and reliable. However, users should independently evaluate the suitability of and test each product selected for their own applications. Littelfuse products are not designed for, and may not be used in, all applications. Read complete Disclaimer Notice at: www.littelfuse.com/disclaimer-electronics.