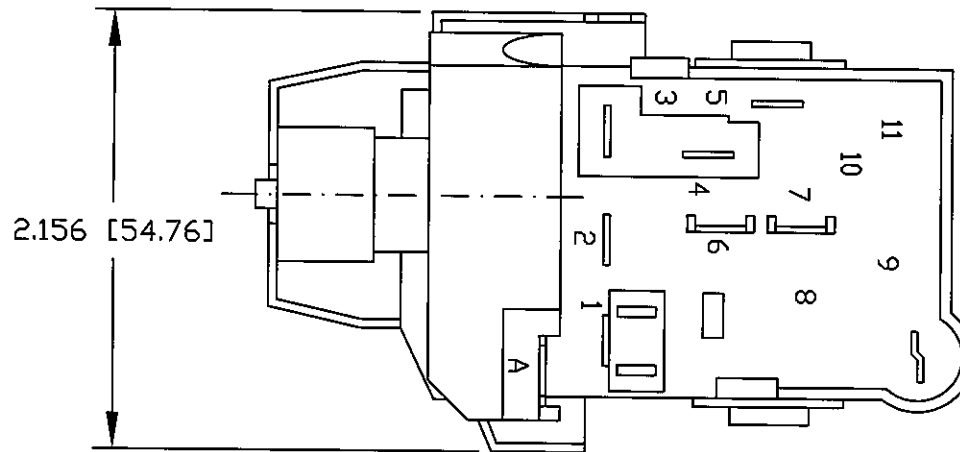
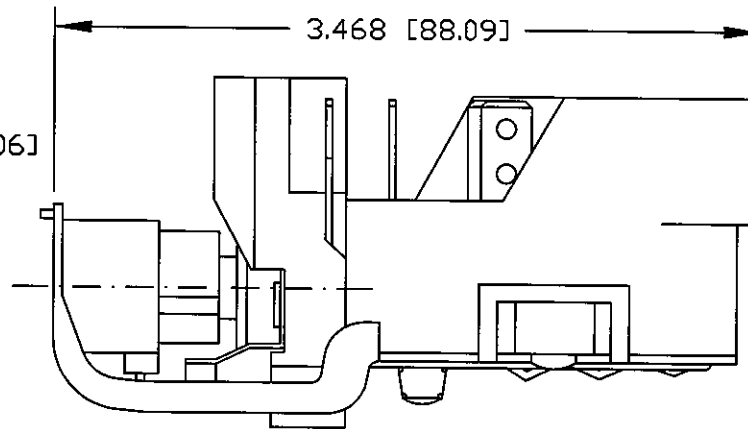
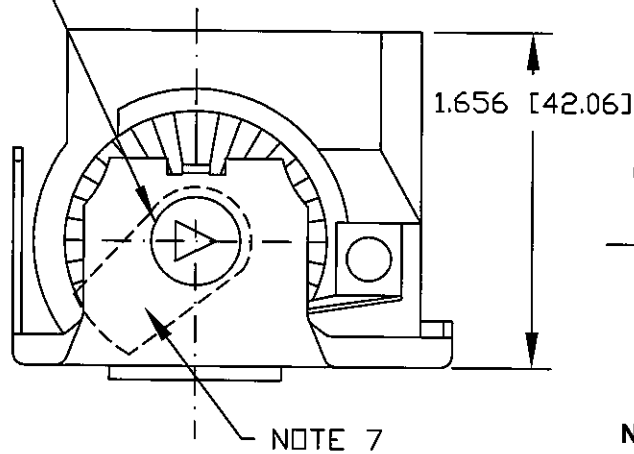


Revision Control Record

Rev.	Description of Change	ECN No.	Date
B	NOTES	02205	4/17/02
C	NOTE 7	08137	3/06/08



7/16-28 UNEF-2B MOUNTING THREAD



NOTES:

1. ALL STEEL PARTS PLATED
2. ALL DIMENSIONS ARE REFERENCE ONLY.
3. CIRCUIT BREAKER: HOLDS 15 AMPS; BREAKS @ 12.8 vDC / 26 AMPERES WITHIN 60 SECONDS.
4. VARIABLE RESISTOR BETWEEN TERMINALS 2 & 3 (0 TO 4.5 OHMS).
5. TERMINALS ARRANGED TO ACCEPT PACKARD CONNECTOR #2977645 OR # 2984169
6. COMPONENT TO COMPLY WITH SAE J253.
7. POSITION OF RESISTOR WIPER CONTACT WHEN SWITCH IS TURNED C CLOCK WISE TO STOP.

3	1 & 6, 4 & 5
2	1 & 7, 4 & 5
1	OFF
POS CIRCUITRY	

Tolerances Unless otherwise specifically noted, the following are default tolerances;
 * 2-place Decimal Dimensions +/- .02"
 * 3-place Decimal Dimensions +/- .005"
 * Angular Dimensions +/- 1.0 Deg.
 * Metric: Refer to equivalent English Dimension Tolerance
 >>> NOTE: All tolerances are Non-Cumulative. <<<

Dimensional Units All dimensions are expressed in inches except those shown in brackets (xxx) are expressed in millimeters

"REF." or an Asterisk (*) = Non-Toleranced Reference Dimension, shown for clarification purposes only.

Used On or Ref.: Scale: **1:1**

PROPRIETARY INFORMATION This Engineering Drawing, and the information contained herein, is proprietary to Cole Hersee Company and may not be disclosed, re-produced, or in any other way transferred or communicated to any other party without the express written consent of an authorized representative of Cole Hersee Company.

DESIGN CONTROL It is the responsibility of the individual using / referencing this drawing to assure that the noted design revision level agrees with the revision level of the Controlled Document (Master Drawing). This is a NON-CONTROLLED DOCUMENT unless otherwise specifically noted.

DO NOT SCALE - Dimensional variation may occur during printing / reproduction.

Drawn By: **RG** Date Drawn: **8/4/80**

Key for Special Characteristics:

- CC Critical Characteristic, relating to Safety and/or Regulatory Compliance
- X Significant Characteristic relating to Process Control (SPC)
- CD Control Dimension relating to Form - Fit - Function as defined by Cole Hersee Company and/or the Customer

(Note that the identification of any Characteristics as being "Special" does not alter the requirement that ALL specified dimensions & tolerances must be met.)

Responsible Engineer: Pg. 1 of 1

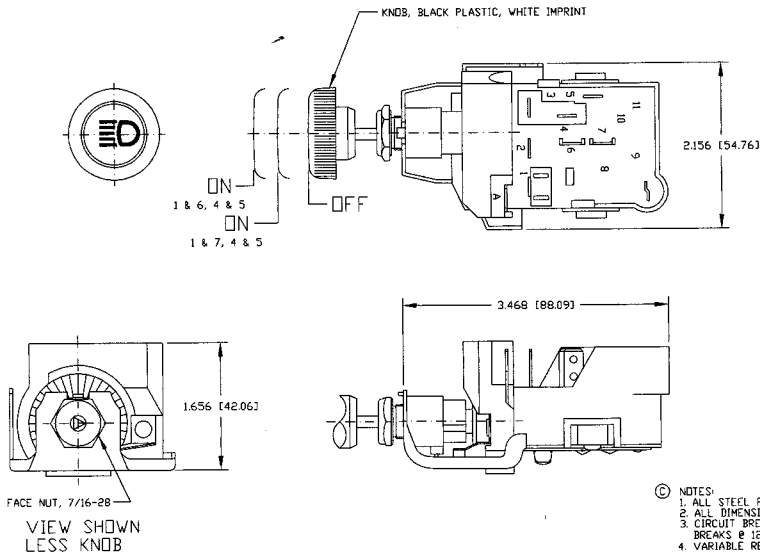
Cole Hersee Co.
 20 Old Colony Ave., South Boston, MA, 02127
 Pm: 617-268-2100 Web: www.colehersee.com

Description: SW, ROT, HDLMP

Drawing / Part No.: **71092** Current Rev.: **C**

Revision Control Record

Rev.	Description of Change	ECN No.	Date
C	NOTES	02206	4/17/02



- NOTES:
1. ALL STEEL PARTS PLATED
 2. ALL DIMENSION ARE REFERENCE ONLY
 3. CIRCUIT BREAKER HOLDS 15 AMPS;
BREAKS @ 12.8 Vdc / 26 AMPERES WITHIN 60 SECONDS
 4. VARIABLE RESISTOR BETWEEN TERMINALS; 263 (0 TO 4.5 OHMS)
 5. TERMINALS ARRANGED TO ACCEPT PACKARD CONNECTOR #2977645 OR #2984169
 6. COMPONENT TO COMPLY WITH SAE J253

Dimensions: Unless otherwise specifically noted, the following are default tolerances:
 • Surface Dimensional Dimensional $\pm .005$
 • Surface Dimensional Dimensional $\pm .005$
 • Angular Dimensional $\pm 1.0 \text{ Deg.}$
 • Holes: Refer to appropriate English Dimensional Tolerances
 *** NOTE: All tolerances are Non-Convulsive, and

Dimensional Units: All dimensions are expressed in inches except those shown in brackets (in) as expressed in millimeters.

2D/3D: In an As-Built, 2D = 2D-Isometric Reference Dimension, shown for clarification purposes only.

Used On: EX22089
 or Part: Scale: 4:1

PROPRIETARY INFORMATION: This Engineering Drawing, and the information contained herein, is proprietary to Cole Hersee Company and may not be disclosed, reproduced, or in any other way transmitted or communicated to any other party without the express written consent of an authorized representative of Cole Hersee Company.

DESIGN SOURCE: It is the responsibility of the individual using/ referring this drawing to ensure that the correct design standard (and agrees with the version base of the Controlled Document) (Manufacturer Drawing: This is a NON-CONTROLLED DOCUMENT) unless otherwise specifically noted.

DO NOT SCALE: Dimensional variation may occur during plotting/ reproduction.

Drawn By: R.J.F.
 Date: 4/17/02

Key for Specific Characteristics:



Critical Characteristics, relating to safety and/or Regulatory Compliance



Regulated Characteristics relating to Process Control (IPC)



Control Dimension relating to Form - Fit - Function as defined by Cole Hersee Company and/or the Customer

Note that the identification of any Characteristics as being "Specific" does not alter the requirement that ALL specified dimensions & tolerances must be met.

Responsible Engineer: Pg. 1 of 1



Cole Hersee Co.

20 Old Colony Ave., South Boston, MA, 02127
 Phone: 617-288-2100 Web: www.colehersee.com

Description: SW, ROT, HDLMP

Drawing / Part No.: 71092-02

Current Rev.: C

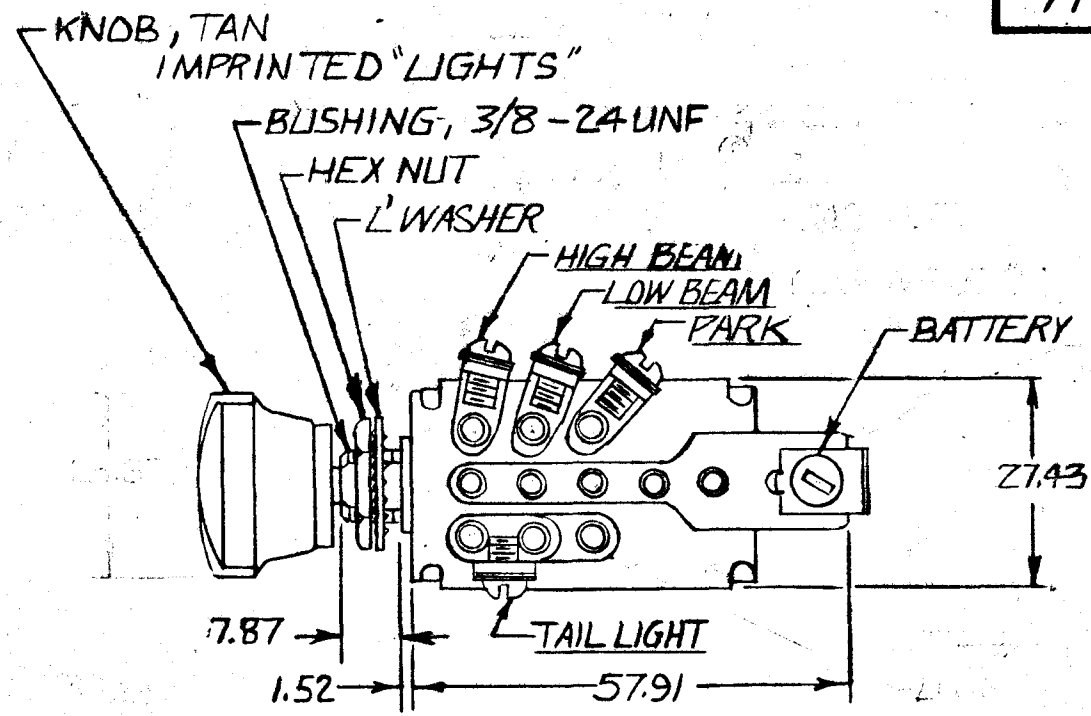
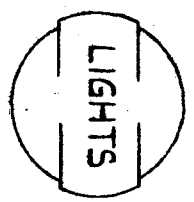
MM	IN
0.25	.010
0.38	.015
1.52	.060
7.11	.280
7.49	.295
7.56	.298
27.43	1.080
38.10	1.500
57.91	2.280

7112

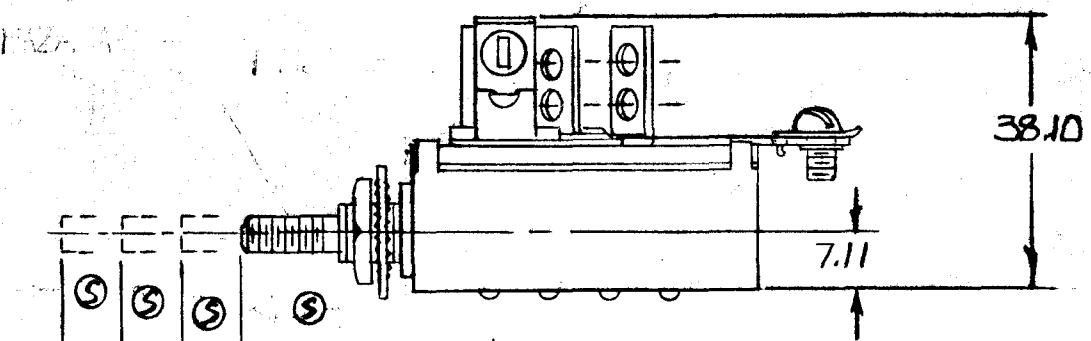
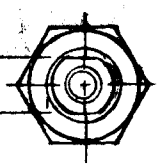
CIRCUITRY	
PARK	PARK & TAIL LIGHT
LOW	LOW & TAIL LIGHT
HIGH	HIGH & TAIL LIGHT

10 AMPS MAX @ BATTERY CIRCUIT

COLE-HERSEE CO.



7.49
7.56



NOTE: ALL STEEL PARTS PLATED

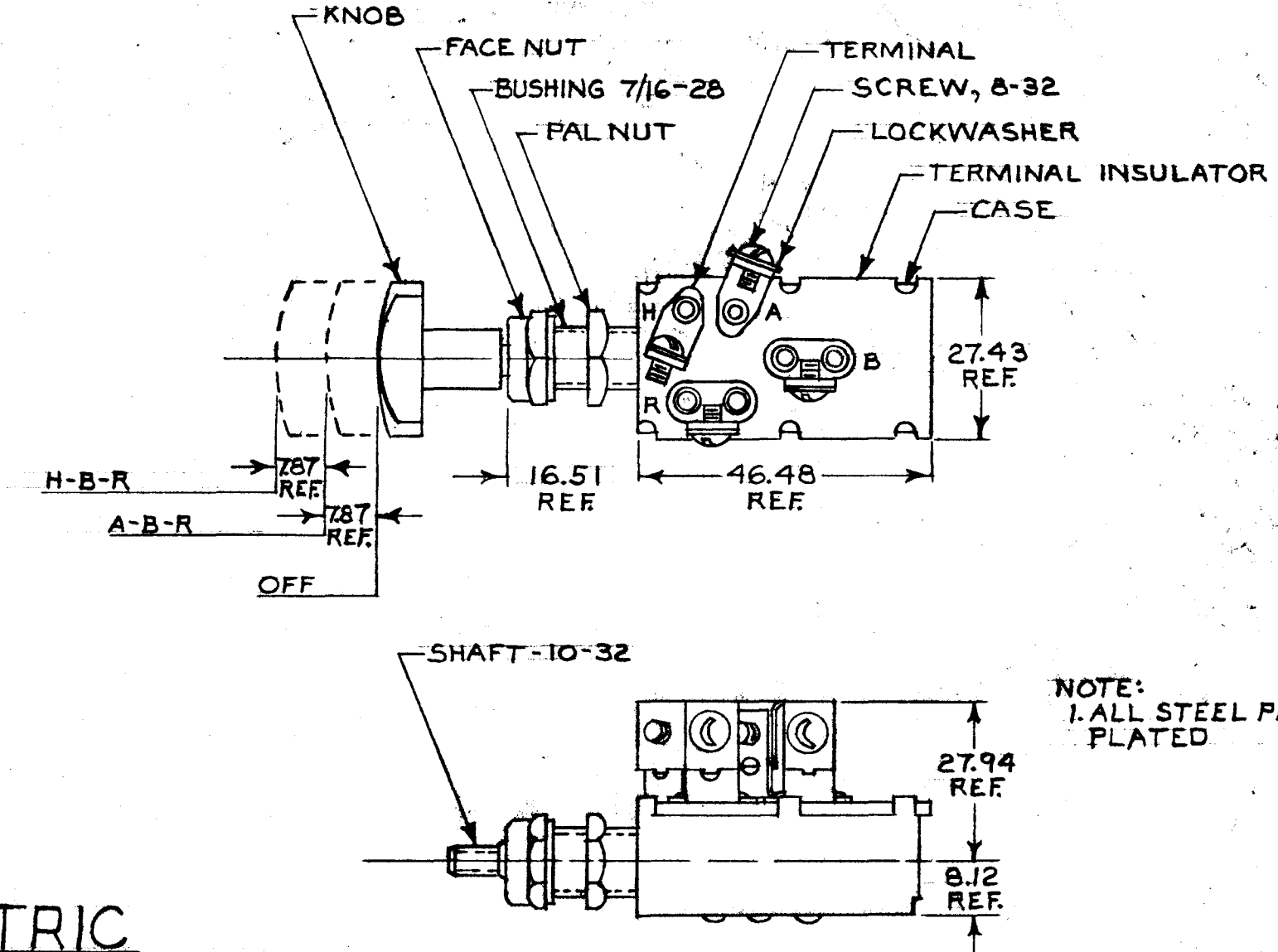
METRIC

DO NOT SCALE

LET	WAS	DATE	BY	LET	WAS	DATE	BY	MATERIAL	DRAWN	CHECKED	APPR'D.	SCALE	DATE DRAWN
									EA	✓		FULL	12-14-62
				T	ADD CIRCUITRY & SKATING (2233)	12-21-63	RJF	FINISH	COLE-HERSEE COMPANY BOSTON, MASS. 02127, U.S.A.				DATE BLUEPRINT
				S	REVISED SHAFT 21312	7-24-61	Ⓢ						
				R	REV/20975	10-14-61	Ⓢ	TOLERANCES	4 POSITION HEADLAMP SWITCH ASS'Y				7112
				Q	ADD METRICS	6/16/61	DK	FRACTIONAL ±0.38 DECIMAL ±0.35					

7124

MM IN
 7.87 .31
 8.12 .32
 16.51 .65
 27.43 1.08
 27.94 1.10
 46.48 1.83



NOTE:
 1. ALL STEEL PARTS
 PLATED

METRIC

DO NOT SCALE

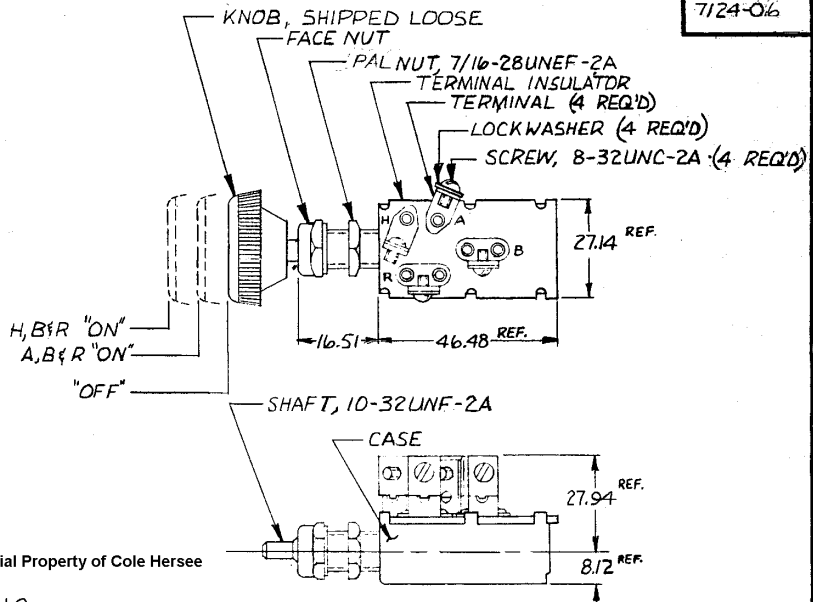
LET.	WAS	DATE	BY	LET	WAS	DATE	BY	MATERIAL	DRAWN	CHECKED	APPR'D.	SCALE	DATE DRAWN
								<i>K</i>	NK	<i>[Signature]</i>		1:1	2-16-60
								FINISH	 Cole Hersee Co. <small>20 OLD COLONY AVENUE, SOUTH BOSTON, MA, U.S.A. 02127</small>				DATE BLUEPRINT
								TOLERANCES					SWITCH, H/L, 3 POS.
								DECIMAL ±					
								METRIC ±					

CH-188(4-78)

7124-06

8.72
16.51
27.14
27.94
46.48

.325
.650
1.100
1.830



Confidential Property of Cole Hersee

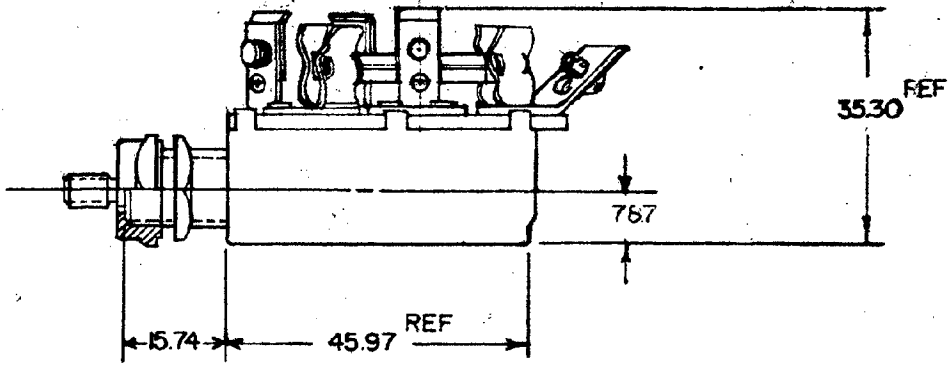
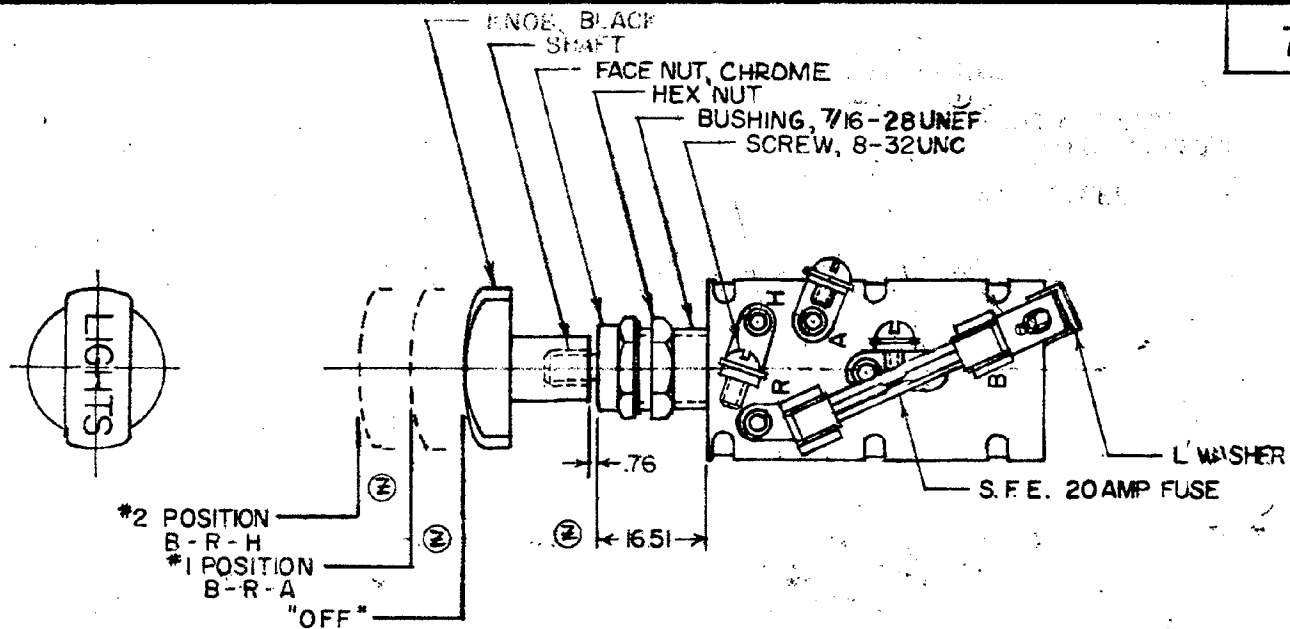
METRIC

NOTE: ALL STEEL PARTS PLATED

DO NOT SCALE

LET	WAS	DATE	BY	LET	WAS	DATE	BY	MATERIAL	DRAWN	CHECKED	APPROVED	SCALE	DATE DRAWN
								—H—	Ⓡ	RJR		1:1	11-20-80
								FINISH	Cole Hersee Co. HEADLAMP SWITCH				DATE BLUEPRINT
				A	VOID	2-2-88	RJP	TOLERANCES					7124-06
					ISSUED	11-24-80	RJP	DECIMAL ±					
								METRIC ± .25					

7127



NOTE:
ALL STEEL PARTS PLATED

METRIC

DO NOT SCALE

LET	WAS	DATE	BY	LET	WAS	DATE	BY	MATERIAL	DRAWN	CHECKED	APPR'D.	SCALE	DATE DRAWN
								— # —	RK	TY		1:1	3-19-51
				AA	BOM/ECN 13158	6/17/13	CM	FINISH					DATE BLUEPRINT
				Z	REVISED SHAFT	2/3/2	2-25-81	— # —					
				Y	REV/20475	11-3-80		TOLERANCES					
				X	REDRAWN	11-6-78		FRACTIONAL ±					
								DECIMAL ±.25					

CH Cole Hersee Co.
20 OLD COLONY AVENUE SOUTH BOSTON, MA. U.S.A. 02117

HEADLAMP SWITCH

7127

MM
23
78
87
74
97
51
01
28
30
97
010
038
58
628
630
70
728
370
310

CH-188 (4-78)

COLE-HERSEE CO.

7152

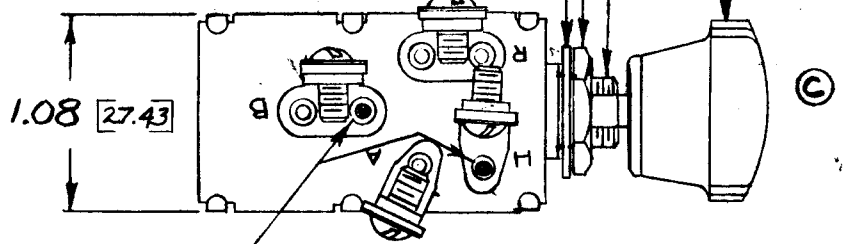
SCREW, #8-32 UNC X 1/4 LG.
AND LOCKWASHER (4 REQ'D)

LOCKWASHER

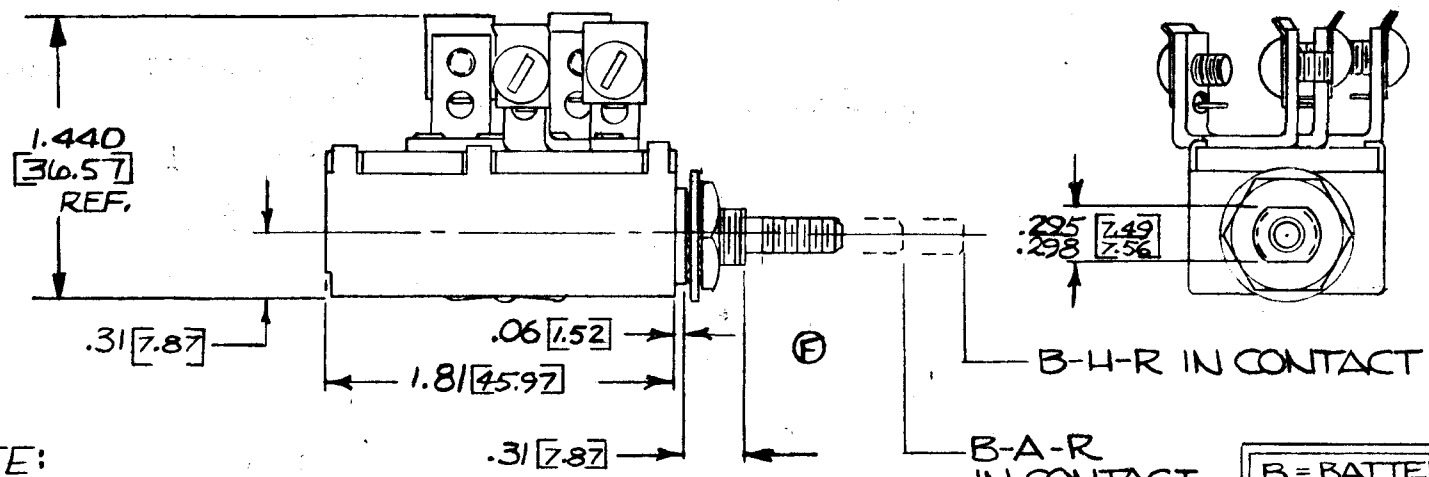
HEX NUT

BUSHING, 3/8 - 24 UNF

KNOB, IVORY, IMPRINTED "LIGHTS"



ⓐ SILVERED RIVETS
AT HEADLAMP POSITION



NOTE:
ALL STEEL PARTS PLATED

B = BATTERY
R = TAIL LIGHTS
A = PARKING LIGHTS
H = HEADLAMPS

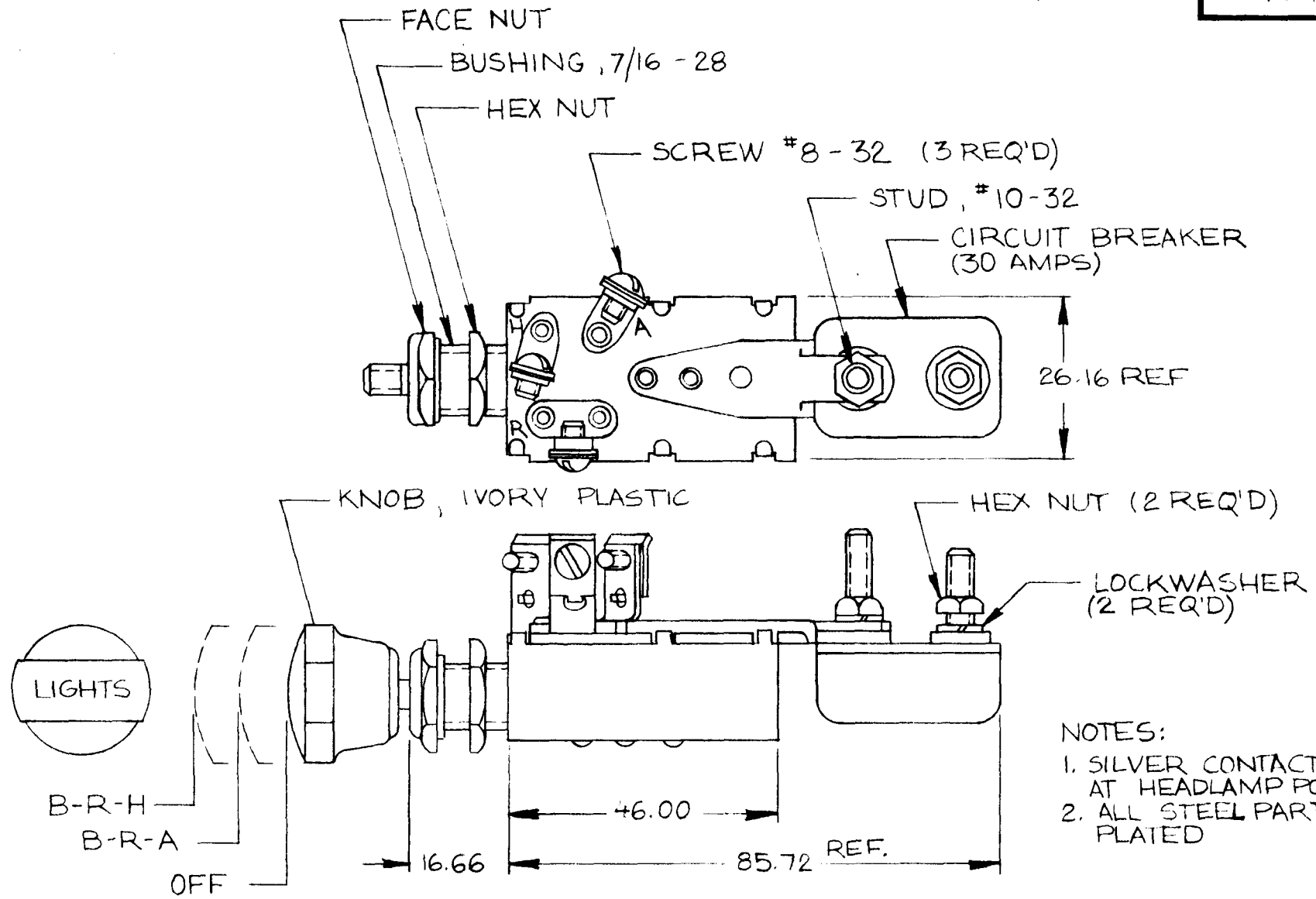
DO NOT SCALE

LET	WAS	DATE	BY	LET	WAS	DATE	BY	MATERIAL	DRAWN	CHECKED	APPR'D.	SCALE	DATE DRAWN
				F	REVISED SHAFT	2-20-81	ⓑ	NOTED	JWH	CS	1-14-79	1X	2-26-46
				E	REV/20775	10-14-80	ⓐ	FINISH NOTED					DATE BLUEPRINT
				D	REV/20973	4-17-80	ⓑ						
				C	REV/19509	7-1-76	K	TOLERANCES FRACTIONAL ±.015 DECIMAL ±.010					
				BB	REDRAWN	1-13-75	JWH						
COLE-HERSEE COMPANY BOSTON, MASS. 02127, U.S.A.													
HEADLAMP SWITCH												7152	

SPAULDING CO., INC. 21-55259

7157

MM 21N
 1.25 2010
 16.66 436
 26.16 1.030
 46.02 1.812
 85.72 3.375



- NOTES:
 1. SILVER CONTACTS AT HEADLAMP POSITION
 2. ALL STEEL PARTS PLATED

METRIC

DO NOT SCALE

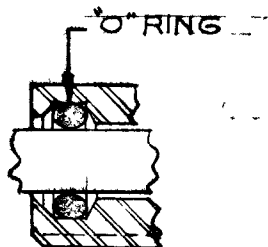
LET.	WAS	DATE	BY	LET	WAS	DATE	BY	MATERIAL	DRAWN	CHECKED	APPR'D	SCALE	DATE DRAWN
									JH	RJA		1:1	7-15-46
								FINISH	 Cole Hersee Co. <small>20 OLD CORTNEY AVENUE SOUTH BOSTON, MA U.S.A. 02121</small>				DATE BLUEPRINT
								TOLERANCES					HEADLAMP SWITCH
								DECIMAL ±					
								METRIC ±					

CH-188(4-78)

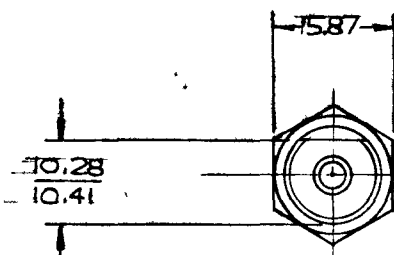
MM	IN
0.25	.010
2.28	.090
7.87	.310
9.65	.380
10.28	.405
10.41	.410
15.87	.625
20.82	.820
26.67	1.050
32.51	1.280
60.70	2.390
14.22	.560

APPLICABLE SAE STANDARD OR
RECOMMENDED PRACTICE SAE J 253

LEGEND	
B	BATTERY
T	TAIL LITES
H	HEAD LITES
P	PARK LITES



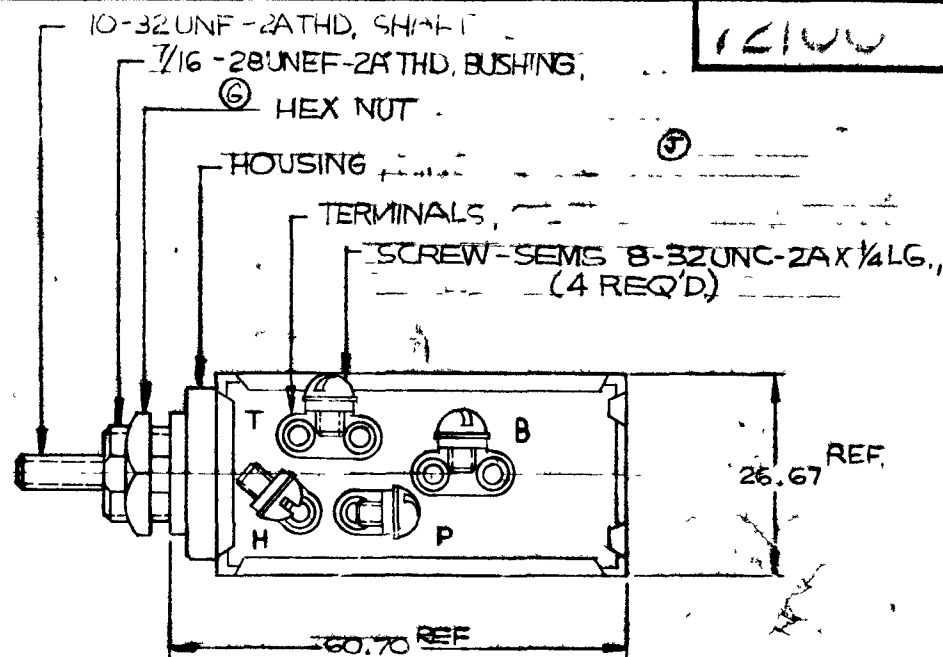
DETAIL OF "O" RING SEAL
OF MNTG. STEM., 2X SCALE



B, T & H

B, T & P

"METRIC"



KNOB, BLACK PLASTIC
IMPRINTED "LIGHTS"

14.22 DIA

32.51 REF

2.28

7.87

7.87

20.82

"OFF"

NOTES:

1. ALL STEEL PARTS PLATED
2. "O" RING SEALED AT BUSHING.
3. GASKET SEALED AT TERM. INSULATOR.
4. SILVERED CONTACT SURFACES. DO NOT SCALE

LET	WAS	DATE	BY	LET	WAS	DATE	BY	MATERIAL	DRAWN	CHECKED	APPRV D	SCALE	DATE DRAWN
				J	ECN 25512	6/8/94	J E	— # —	MF	✓		1:1	3-25-65
				H	22. 125239	11/7/76	H H	FINISH	COLE-HERSEE COMPANY BOSTON, MASS 02127, U.S.A.				DATE BLUEPRINT
				G	REV/20475	12/16/80	G	— # —					
				F	ADDED/20543	4-5-79	JAV	TOLERANCES	LIGHTING SWITCH 72100				
				E	NO DRAWING CHANGE	-17-18	JAV	FRACTIONAL ± DECIMAL ±0.25					