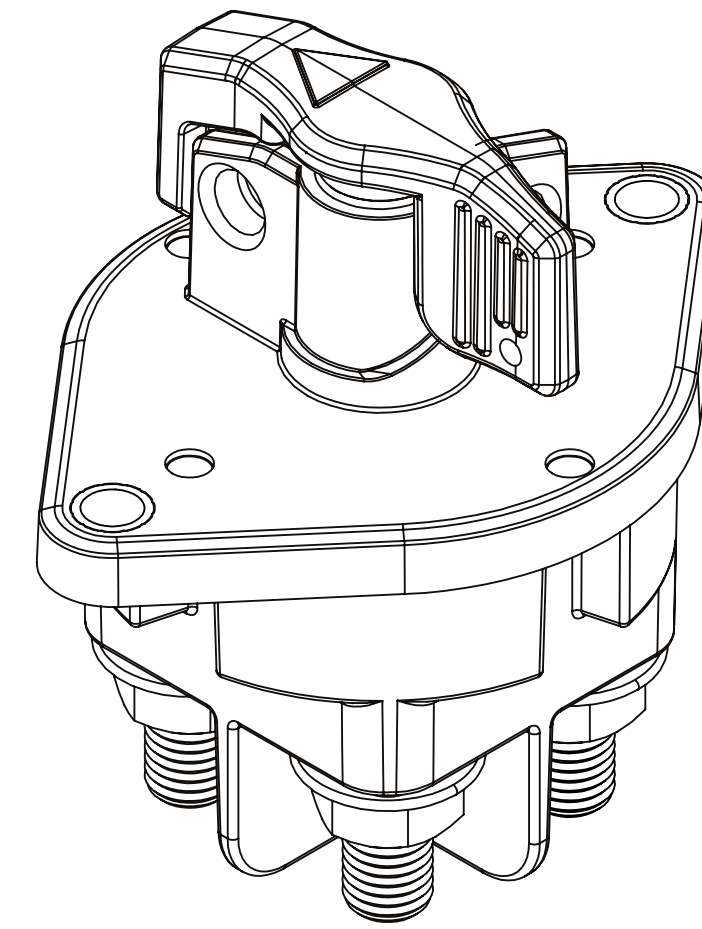
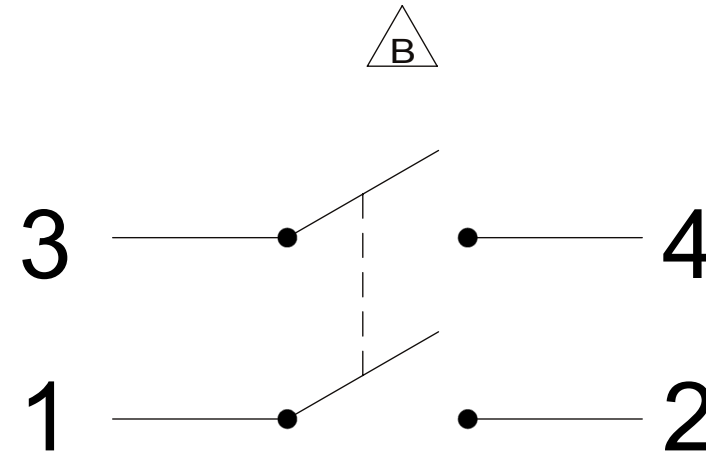


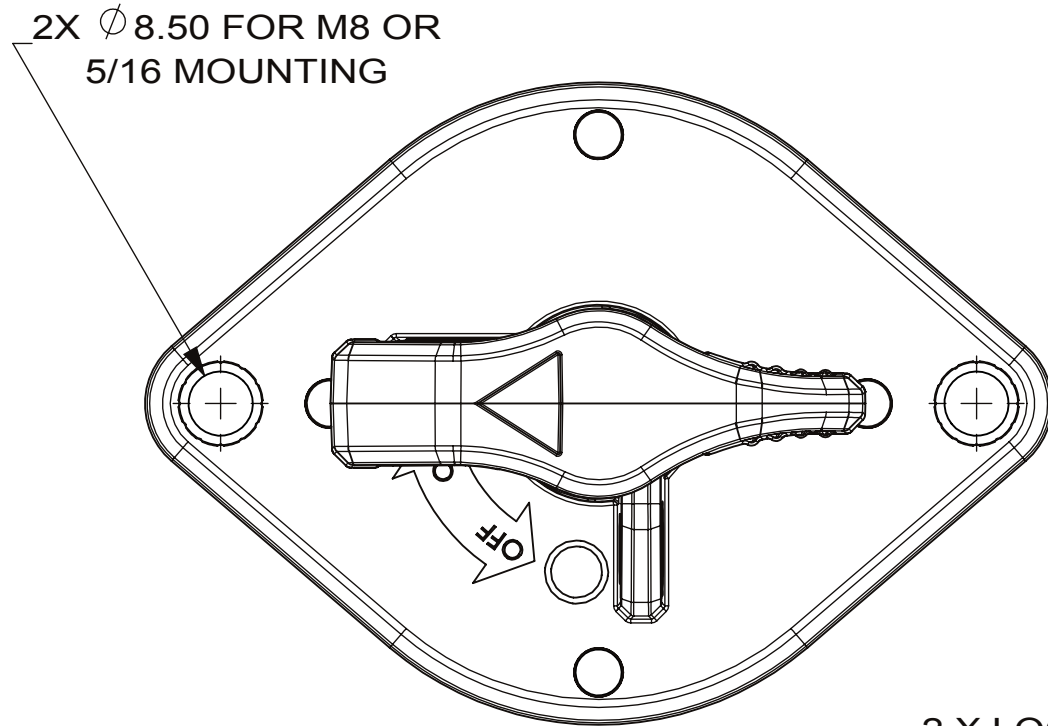
REVISIONS				
ZONE	REV.	DESCRIPTION	DATE	APPROVED
	A	INITIAL DWG RELEASE	4/10/2013	M. MILLSON
	B	PER EC#509902: UPDATED SCHEMATIC	10/21/2013	V.BELOUS
	C	PER EC#510572: CORRECTED BOM ERROR ON THE SECOND PAGE	6/4/2014	J. LIU
	D	PER GCF #518972: ADD NEW P/N FOR RED/YELLOW KNOB AND UPDATE NOTES	02/26/2018	J. LI

- NOTES: (UNLESS OTHERWISE SPECIFIED)
- ALL DIMENSIONS ARE REFERENCE ONLY
 - MATERIAL AND FINISHED:
HOUSING: THERMOPLASTIC
KNOB: THERMOPLASTIC
STUD: COPPER TIN PLATED
NUT: STAINLESS STEEL
INTERNAL BUSBAR: COPPER
 - INGRESS PROTECTION RATING IS IP67 & IP69K
 - MAXIMUM CONTINUOUS CURRENT:
500A PER CIRCUIT, WITH 2 x 4/0 INPUT AND 2 x 4/0 OUTPUT CABLES
350A PER CIRCUIT, WITH 1 x 4/0 INPUT AND 1 x 4/0 OUTPUT CABLES
 - MAXIMUM OPERATING VOLTAGE 48V
 - TERMINAL STUD SIZE M12X25mm, RECOMMENDED TERMINAL TORQUE 20 Nm
 - RECOMMENDED MOUNTING TORQUE 15Nm
 - OPERATING TEMPERATURE RANGE: -50 °C TO +85 °C, DC-RATED TO 105°C

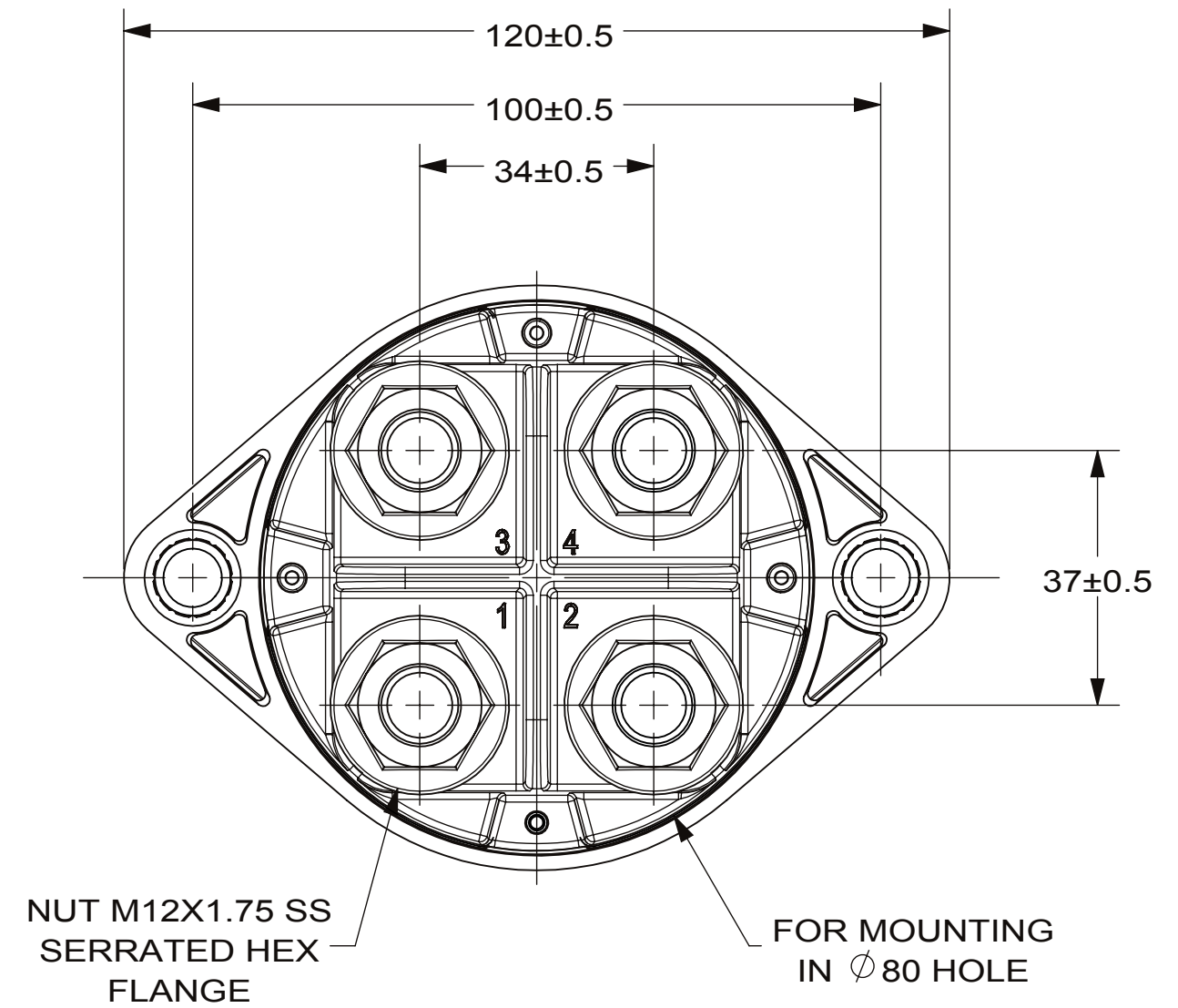
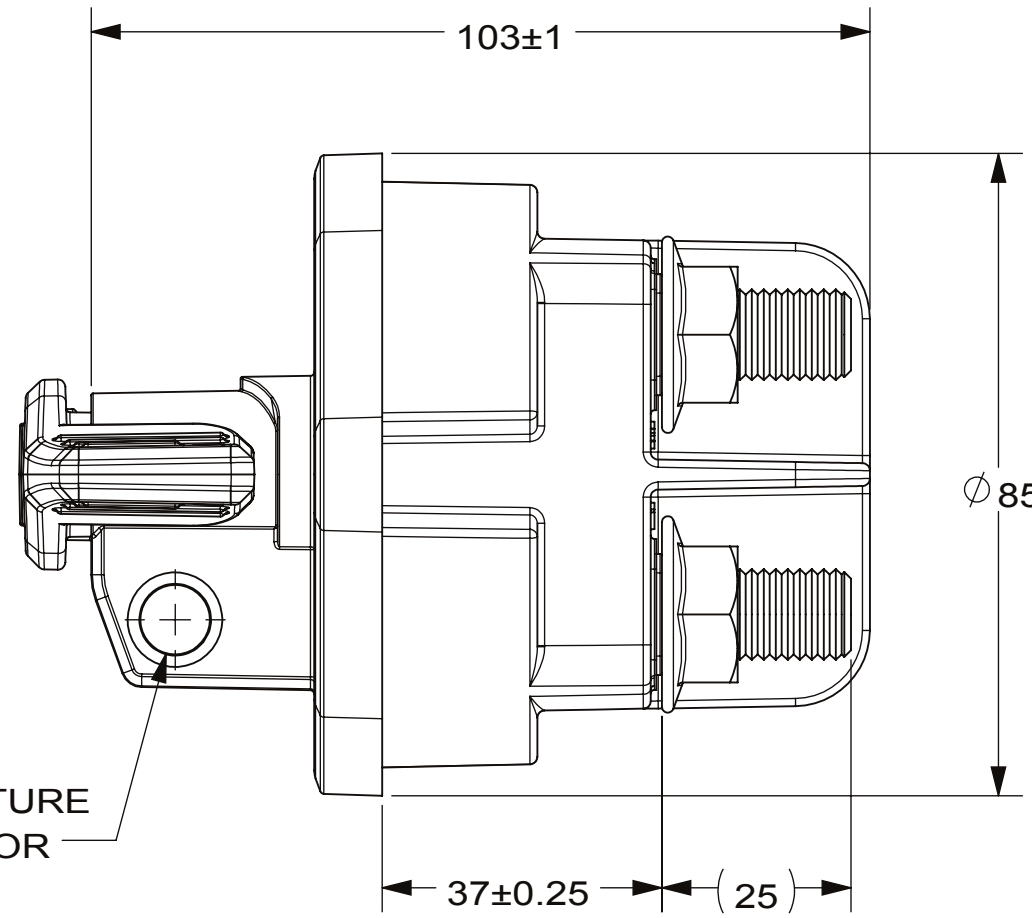
SCHEMATIC



CONFIGURATION CHART		
PRODUCT NUMBER	KNOB COLOR	REMARK
880175	BLACK	
880175-0001	RED	
880175-0002	YELLOW	



2 X LOCKOUT FEATURE
ACCEPTS HASP OR
PADLOCK



DIMENSIONS ARE SHOWN IN MILLIMETERS. DIMENSIONS AND TOLERANCES ARE DEFINED ACCORDING TO ANSI/ASME Y14.5-1994.		
●	FIT FUNCTION CRITICAL CHARACTERISTICS SYMBOL	
<S>	SAFETY/ COMPLIANCE CRITICAL CHARACTERISTICS SYMBOL	
CPK	DENOTES CPK DIMENSIONS MINIMUM CPK VALUE	
(ST)	DENOTES A CHARACTERISTIC THAT PROVIDES AN INDICATION OF PROCESS PERFORMANCE PROCEDURE FOR MEASUREMENT AND TRACKING TO BE DEFINED IN LITTELFUSE INSPECTION INSTRUCTIONS	
CP	DENOTES CP DIMENSIONS. MINIMUM CP VALUE MUST BE WITHIN THE DIMENSIONAL LIMITATIONS SHOWN ON DRAWING AND INITIALLY LOCATED TO ALLOW FOR MAXIMUM TOOL LIFE.	
DIMENSION: MM TOLERANCES UNLESS OTHERWISE SPECIFIED ONE PLACE DECIMAL ± 0.5 THREE PLACES DECIMAL ± 0.100 TWO PLACES DECIMAL ± 0.20 ANGULAR ± 2°		
NAME	DATE	<p>Littelfuse Expertise Applied Answers Delivered</p>
DRAWN	2/6/2012	
CHECKED		
FORM NO: CVP-PE40-0006 REV A		TITLE
THIRD ANGLE PROJECTION		Switch Master TR 2 Pole 300A
DO NOT SCALE DRAWING	SCALE 1:2	SHEET 1 OF 1