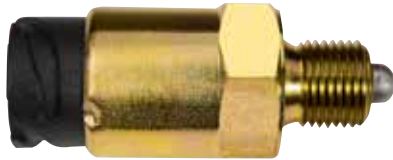


# 00720000 & 00720200 PLUNGER SWITCHES

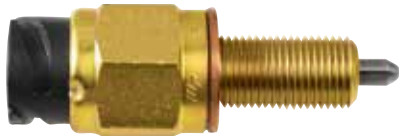
5V • DIN 72585-1 Type • Normally Closed & Open Version



00720000



00720100



00720200

interchangeable with IVECO 504045260

## Specifications Overview

<b>Voltage:</b>	12V-24V
<b>Ingress Protection:</b>	IP69K
<b>DIN 72585-1</b>	00720000 - 00720100 - 00720200

## Applications

- IVECO Eurocargo

## Web Resources

Download technical resources at:  
[littelfuse.com/plungerswitches](http://littelfuse.com/plungerswitches)

## Ordering Information

PART NUMBER	MATERIAL BODY	TYPE	LOAD WATT	CONTACT MATERIAL	NUT
00720000	Steel	Normally Open	1-2 contact 3 watt lamp	gold-plated	27
00720100	Steel	Normally Open	1-2 contact 3 watt lamp	silver-plated	27
00720200	Steel	Normally Closed	1-2 contact 3 watt lamp 3-4 contact 2x21 watt lamp	silver-plated gold-plated	27

## Description

The mechanical switches signal many different situations that may occur on commercial vehicles: power takeoff signal light, Idle and reverse gear signal light, Inserted fifth gear signal light, etc. Available are versions with contacts normally open and contacts normally closed, DIN 72585-1, 4-pole connector.

## Features and Benefits

- Some models can work even with tension at 5V
- DIN 72585-1 connector
- Silver-plated or Gold-plated contacts
- The superseal connector is protected with a plastic cap to prevent dirt intrusion before mounting

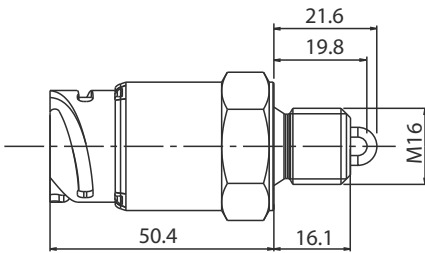
## Accessories

PART NUMBER	DESCRIPTION
00226800	4-Pole plug according DIN 72585-1 for 00720000 - 00720100 - 00720200

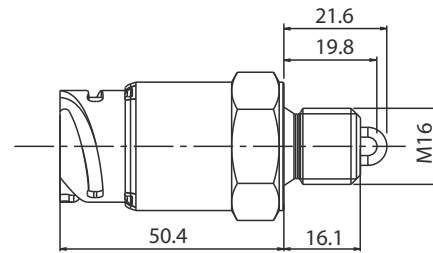


00226800

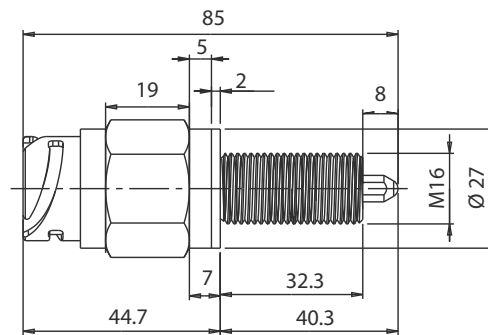
# 00720000 & 00720200 PLUNGER SWITCHES



**00720000**



**00720100**



**00720200**