

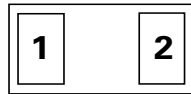
## SP1021 Series 6pF 12kV Bidirectional Discrete TVS



### Description

The SP1021 includes back-to-back Zener diodes fabricated in a proprietary silicon avalanche technology to provide protection for electronic equipment that may experience destructive electrostatic discharges (ESD). These robust diodes can safely absorb repetitive ESD strikes above the maximum level specified in the IEC 61000-4-2 international standard (Level 4, ±8kV contact discharge) without performance degradation. The back-to-back configuration provides symmetrical ESD protection for data lines when AC signals are present.

### Pinout

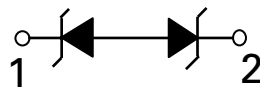


Note: Drawing not to scale

### Features

- RoHS compliant, Halogen-free and Lead-free
- ESD, IEC 61000-4-2, ±12kV contact, ±15kV air
- EFT, IEC 61000-4-4, 40A (5/50ns)
- Lightning, IEC 61000-4-5, 2nd Edition, 2A ( $t_p=8/20\mu s$ )
- Low capacitance of 6pF (@  $V_R=0V$ )
- Low leakage current of 0.1µA at 5V
- Industry's smallest ESD footprint available (01005)

### Functional Block Diagram



### Applications

- Mobile Phones
- Smart Phones
- Portable Medical
- Digital Cameras
- Wearable Technology
- Portable Navigation Devices
- Tablets

### Additional Information



Datasheet



Resources



Samples

Life Support Note:

#### Not Intended for Use in Life Support or Life Saving Applications

The products shown herein are not designed for use in life sustaining or life saving applications unless otherwise expressly indicated.

### Absolute Maximum Ratings

Symbol	Parameter	Value	Units
$I_{PP}$	Peak Current ( $t_p=8/20\mu s$ )	2.0 <sup>1</sup>	A
$T_{OP}$	Operating Temperature	-40 to 125	°C
$T_{STOR}$	Storage Temperature	-55 to 150	°C

Notes:

1. CAUTION: Stresses above those listed in "Absolute Maximum Ratings" may cause permanent damage to the device. This is a stress only rating and operation of the device at these or any other conditions above those indicated in the operational sections of this specification is not implied.

### Thermal Information

Parameter	Rating	Units
Storage Temperature Range	-55 to 150	°C
Maximum Junction Temperature	150	°C
Maximum Lead Temperature (Soldering 20-40s)	260	°C

### Electrical Characteristics ( $T_{OP}=25^\circ C$ )

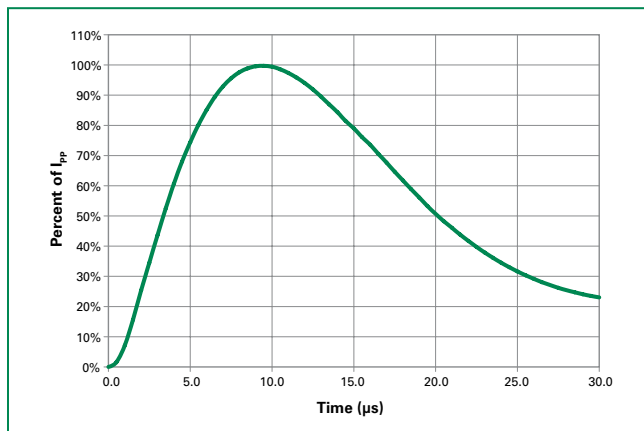
Parameter	Symbol	Test Conditions	Min	Typ	Max	Units
Reverse Standoff Voltage	$V_{RWM}$				6.0	V
Leakage Current	$I_{LEAK}$	$V_R=3.3V$ with 1 pin at GND <sup>1</sup>			10	nA
		$V_R=5V$ with 1 pin at GND		0.1	0.5	$\mu A$
Clamp Voltage <sup>1</sup>	$V_C$	$I_{PP}=1A$ , $t_p=8/20\mu s$ , Fwd		10.0		V
		$I_{PP}=2A$ , $t_p=8/20\mu s$ , Fwd		11.2		V
Dynamic Resistance	$R_{DYN}$	TLP, $t_p=100ns$ , I/O to GND, 8/20 $\mu s$ Dynamic Resistance		0.55		$\Omega$
ESD Withstand Voltage <sup>1</sup>	$V_{ESD}$	IEC 61000-4-2 (Contact Discharge)	$\pm 12$			kV
		IEC 61000-4-2 (Air Discharge)	$\pm 15$			kV
Diode Capacitance <sup>1</sup>	$C_D$	Reverse Bias=0V		6		pF

Note:

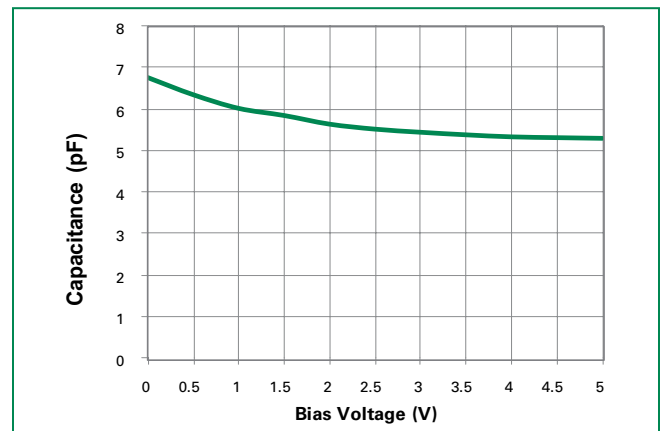
1 Parameter is guaranteed by design and/or device characterization.

2 Transmission Line Pulse (TLP) with 100ns width and 200ps rise time.

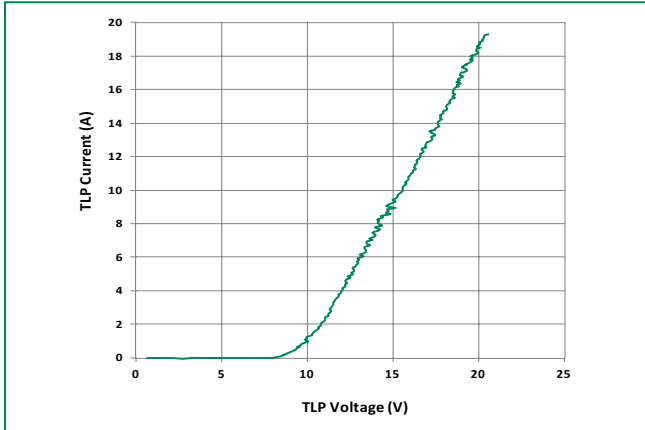
### Pulse Waveform



### Capacitance vs. Reverse Bias

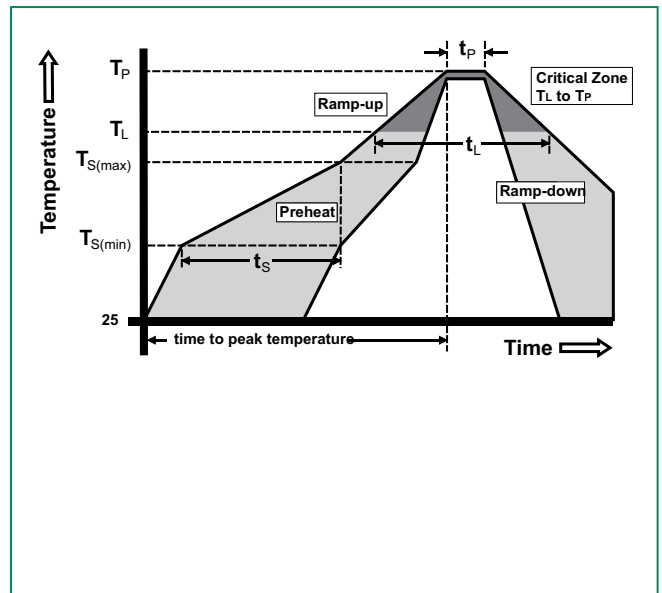


**Transmission Line Pulsing (TLP) Plot**

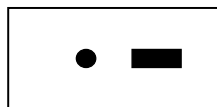


**Soldering Parameters**

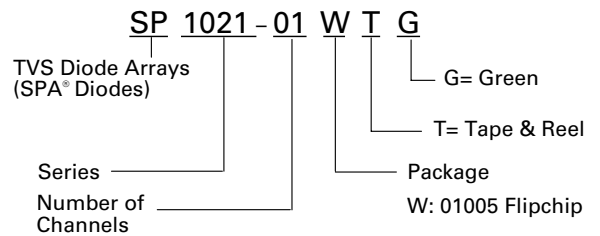
Reflow Condition	Pb – Free assembly	
Pre Heat	- Temperature Min ( $T_{s(min)}$ )	150°C
	- Temperature Max ( $T_{s(max)}$ )	200°C
	- Time (min to max) ( $t_s$ )	60 – 180 secs
Average ramp up rate (Liquidus) Temp ( $T_L$ ) to peak		3°C/second max
$T_{s(max)}$ to $T_L$ - Ramp-up Rate		3°C/second max
Reflow	- Temperature ( $T_L$ ) (Liquidus)	217°C
	- Temperature ( $t_L$ )	60 – 150 seconds
Peak Temperature ( $T_p$ )		260 <sup>+0/-5</sup> °C
Time within 5°C of actual peak Temperature ( $t_p$ )		20 – 40 seconds
Ramp-down Rate		6°C/second max
Time 25°C to peak Temperature ( $T_p$ )		8 minutes Max.
Do not exceed		260°C



**Part Marking System**



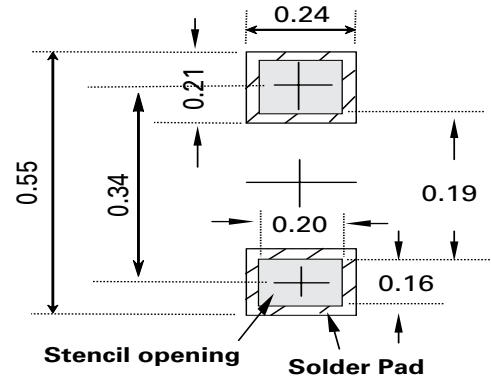
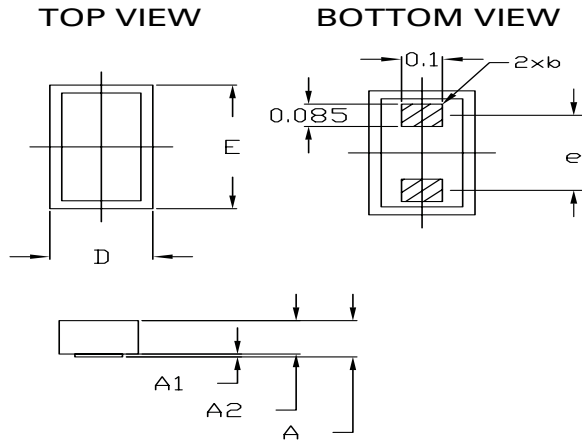
**Part Numbering System**



**Ordering Information**

Part Number	Package	Marking	Min. Order Qty.
SP1021-01WTG	01005 Flipchip	• ■	15000

**Package Dimensions — 01005 Flipchip**



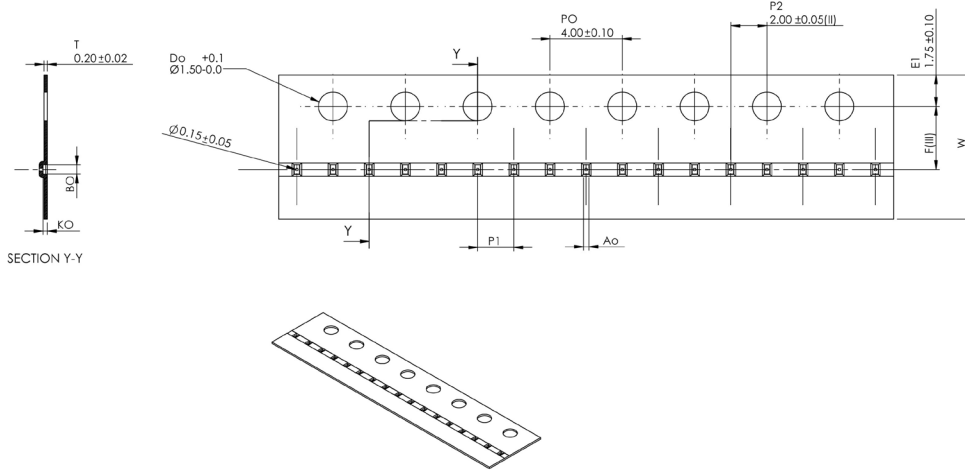
**Recommended Solder Pad Footprint and Stencil opening**

**Thickness of Stencil opening is 0.08mm**

**\*Sizes in mm**

Symbol	01005 Flipchip					
	Millimeters			Inches		
	Min	Typ	Max	Min	Typ	Max
<b>A</b>	0.153	0.181	0.209	0.0060	0.0071	0.0082
<b>A1</b>	0.008	0.011	0.0143	0.0003	0.0004	0.0006
<b>A2</b>	0.145	0.170	0.195	0.0057	0.0067	0.0077
<b>D</b>	0.205	0.230	0.255	0.0081	0.0091	0.0100
<b>E</b>	0.415	0.440	0.465	0.0163	0.0173	0.0183

**Embossed Carrier Tape & Reel Specification — 01005 Flipchip**



Symbol	Millimeters
<b>A0</b>	0.30+/-0.03
<b>B0</b>	0.51+/-0.03
<b>K0</b>	0.20 + 0.03
<b>F</b>	3.50 +/- 0.05
<b>P1</b>	2.00+/-0.10
<b>W</b>	8.00+/-0.10