

58027 SERIES ROCKER SWITCHES



Features and Benefits

- Silver contacts for corrosion resistance.

Specifications Overview

Voltage Rating:	25A @ 12V DC 15A @ 24V DC
Housing:	Black Plastic
Mounting:	Snap-in matte black bezel through 21.1mm x 36.8mm rectangular Panel Hole, 2.4mm to 4.7mm thick
Ingress Protection:	IP66 (Contact Area)

Applications

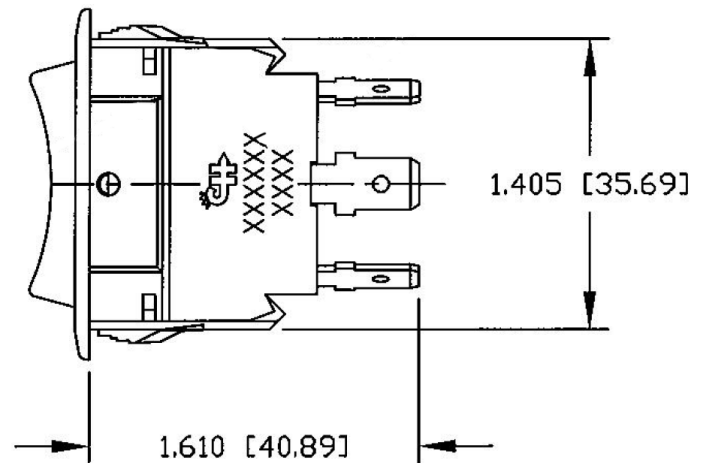
- Construction Equipment
- Agricultural Equipment
- Material Handling Equipment
- Commercial Vehicles

Description

Littelfuse Rocker Switches are designed for universal applications within harsh environments. Their mounting, body, and actuator features are designed for ease-of-use and extended product lifecycle.

The 58027 Series is our most popular line of unlit rocker switches. These products are single-actuator switches that are commonly used for in-cabin controls, but are IP66 rated against dust and moisture.

Dimensions



Web Resources

Download 2D print and technical resources at:
littelfuse.com/58027

Ordering Information

PART NUMBER	DESCRIPTION	CIRCUITRY	ACTUATOR	POSITIONS	TERMINATION
58027-01 *	Single, Dependent Rocker Switch	SPST	2-position, matte black plastic actuator	On - Off (Up-Down)	2 Brass Blades
58027-04 *	Single, Dependent Rocker Switch	SPDT	3-position, matte black plastic actuator	Momentary On - Off - Momentary On (Up-Center-Down)	3 Brass Blades
58027-06 *	Single, Dependent Rocker Switch	DPST	2-position, matte black plastic actuator	Off - On (Up-Down)	4 Brass Blades
58027-11 *	Single, Dependent Rocker Switch	DPDT	3-position, matte black plastic actuator	On - Off - Momentary On (Up-Center-Down)	6 Brass Blades

* Box and Retail Blister Pack Available