

FUSE BASE FOR FUSE STRIPS RATED 80V FOR DOUBLE

RoHS



Specifications

Base: Insulation material according to DIN 7708/1
Spring washer according ISO 4036
Hexagon nuts according to DIN 439
Washer according to DIN 125

Conducting Materials: Copper wrought alloy

Color: Black

Ordering Information

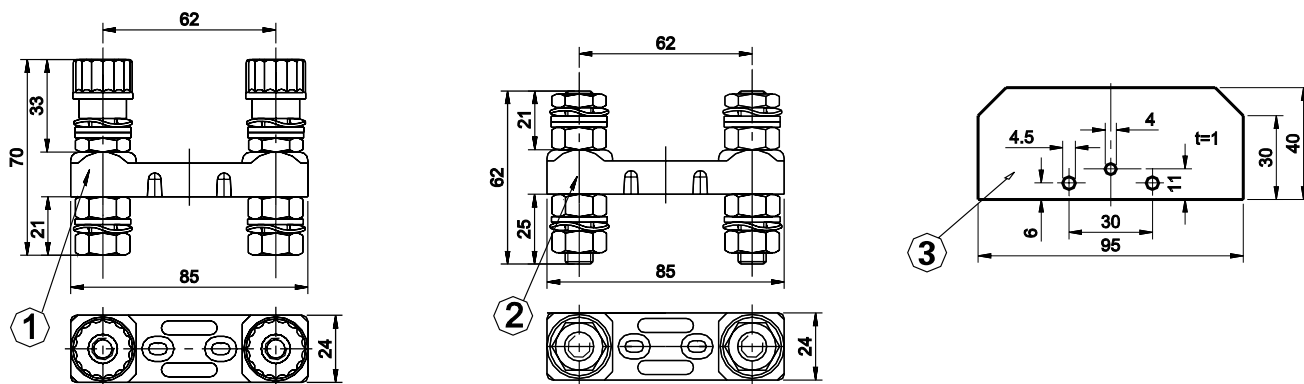
Part Number	Package Size
177.57xx.0001	10
192.57xx.0001	10

Description

Fuse base for fuse strips with 62 mm spacing. Up to 80V.

Dimensions

Dimensions in mm



Ratings

Part Number	Description	Contact Temperature
177.5702.0001	1) Fuse base	max. 250 A
177.5741.0001	2) Fuse base	max. 250 A
192.5710.0001	3) Phase barrier	-

Corresponding fuse strips see Section "Bolt-Down Fuses."