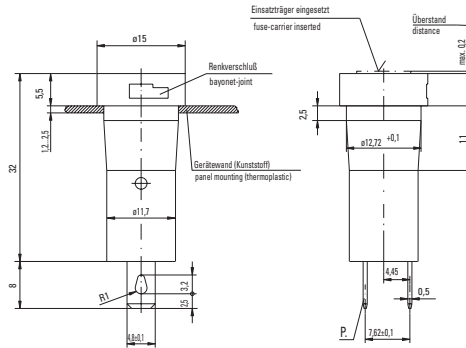


## Holder / No. 824



Panel mounting hole

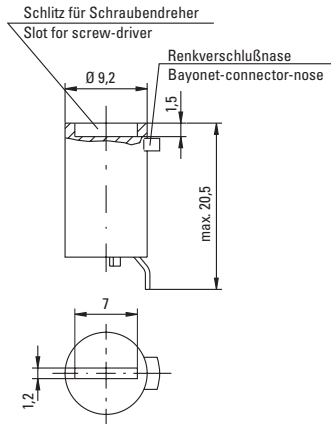
## Panel Mount for 5x20mm Fuses



## Cap / No. 835



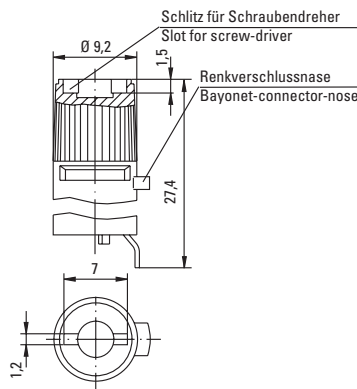
Flush Mount Type



## Cap / No. 837



Finger Grip Type



## Specifications

### Packaging

Bulk (100 pcs.)

### Standard

IEC 60127-6  
UL 512  
CSA C22.2. No.39

### Approvals



### Mounting

Pluggable (panel thickness 1.2 mm-2.5 mm)

### Terminals

Solderable or 4.8mm quick connect - fits 0.5mm tab

### Protection Class & Category

IP 40 (IEC 60529)  
PC2 (IEC 60127-6)

### Materials

Holder/Cap: Thermoplastic  
(Polyamide PA 6.6), UL 94V-0, black

Metal Parts: Copper alloy, corrosion protected

Terminals: solderable tinned

### Electrical Data (23°C)

Rated Voltage: 250V  
Rated Current: 6.3A (VDE/SEMKO)  
16A (UL/CSA)  
Rated Power : 4W (VDE/SEMKO)

### Operating Temperature

-25°C to +70°C (consider de-rating)

### Climatic Test

-25°C/+70°C/21 days (IEC 60068-2-1...3)

### Stock Conditions

+10°C to +60°C  
relative humidity ≤ 75% yearly average,  
without dew, maximum value for 30 days - 95%

### Vibration Resistance

24 cycles at 15 min. each (IEC 60068-2-6)  
10 - 60Hz at 0.75mm amplitude  
60 - 2000Hz at 10g acceleration

### Contact Resistance

≤ 5mΩ

### Dielectric Strength

> 1.5 kV

### Impulse Voltage

4 kV, 50Hz, 1 min., dry

### Insulation Resistance

> 10<sup>3</sup> MΩ (500VDC, 1 min.)

### Solderability

235°C, 3 sec. (Wave)  
350°C, 1 sec. (soldering iron)

### Soldering Heat Resistance

260°C, 5 sec. (IEC 60068-2-20)

### Minimum Cross Section

Conductor - 2.5mm<sup>2</sup>

### Marking

824, 250V, Approvals

### Unit Weight

3.3g (824) / 1.6g (835) / 2.2g (837)

## Order Information

Qty	Order-Number	Series			Packaging
			0000	00	0

Note: 1.00 means the number one with two decimal places. 1,000 means the number one thousand.



Specifications are subject to change without notice