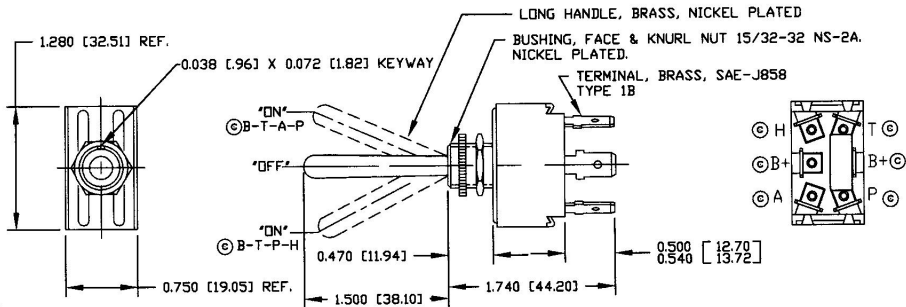


### Revision Control Record

Rev.	Description of Change	ECN No.	Date
C	ADD POSITIONS NOTES	04299	08/13/04



- NOTES:  
 1. 25 AMPS, 12 VOLTS D.C., EXTRA HEAVY DUTY  
 2. SILVER CONTACT SURFACES  
 ③ 3. ALL DIMENSIONS ARE REFERENCE

**Tolerances.** Unless otherwise specifically noted, the following are default tolerances:

- \* 2-place Decimal Dimensions  $\pm .02$ "
- \* 3-place Decimal Dimensions  $\pm .005$ "
- \* Angular Dimensions  $\pm 1.8$  Deg.
- \* Metric: Refer to equivalent English Dimension Tolerance
- >>> NOTE: All tolerances are Non-Consultative. <<<

**Dimensional Limits.** All dimensions are expressed in inches except those shown in brackets (xxx) are expressed in millimeters

"REF." or an Asterisk (\*) = Non-Tolerance Reference Dimension, shown for clarification purposes only.

**PROPRIETARY INFORMATION.** This Engineering Drawing, and the information contained herein, is proprietary to Cole Horse Company and may not be disclosed, re-produced, or in any other way transferred or communicated to any other party without the express written consent of an authorized representative of Cole Horse Company.

**DESIGN CONTROL.** It is the responsibility of the individual using/referencing this drawing to assure that the noted design revision level agrees with the revision level of the Controlled Document (Master Drawing). This is a NON-CONTROLLED DOCUMENT unless otherwise specifically noted.

DO NOT SCALE - Dimensional variation may occur during printing/reproduction.

**Special Characteristics...**

- ◆ Critical Characteristics, relating to safety and/or Regulatory Compliance
- X Significant Characteristics relating to Process Control (SPC)
- Ⓢ Key Characteristics relating to Form - Fit - Function as defined by Cole Horse Company and/or the Customer

(Note that the Identification of any Characteristics as being "Special" does not alter the requirement that ALL specified dimensions & tolerances must be met.)



**Cole Horse Co.**  
 20 Old Colony Ave., South Boston, MA, 02127  
 PHN: 617-268-2100 Web: www.colehorse.com

**Description:** TOGGLE SWITCH  
 ON-OFF-ON, D.P.D.T.

**Drawing / Part No.:**

**55064**

**Current Rev.**

**C**

Used On or Ref: EX15335A Scale: 1:1

Drawn By: RW

Date: 05/04/70  
 Drawn:

Responsible Engineer:

Pg. 1 of 1