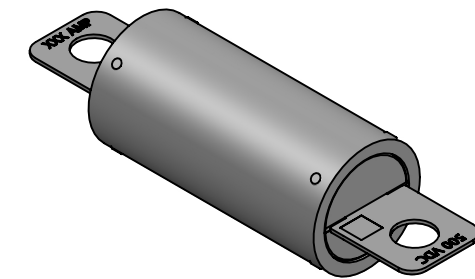
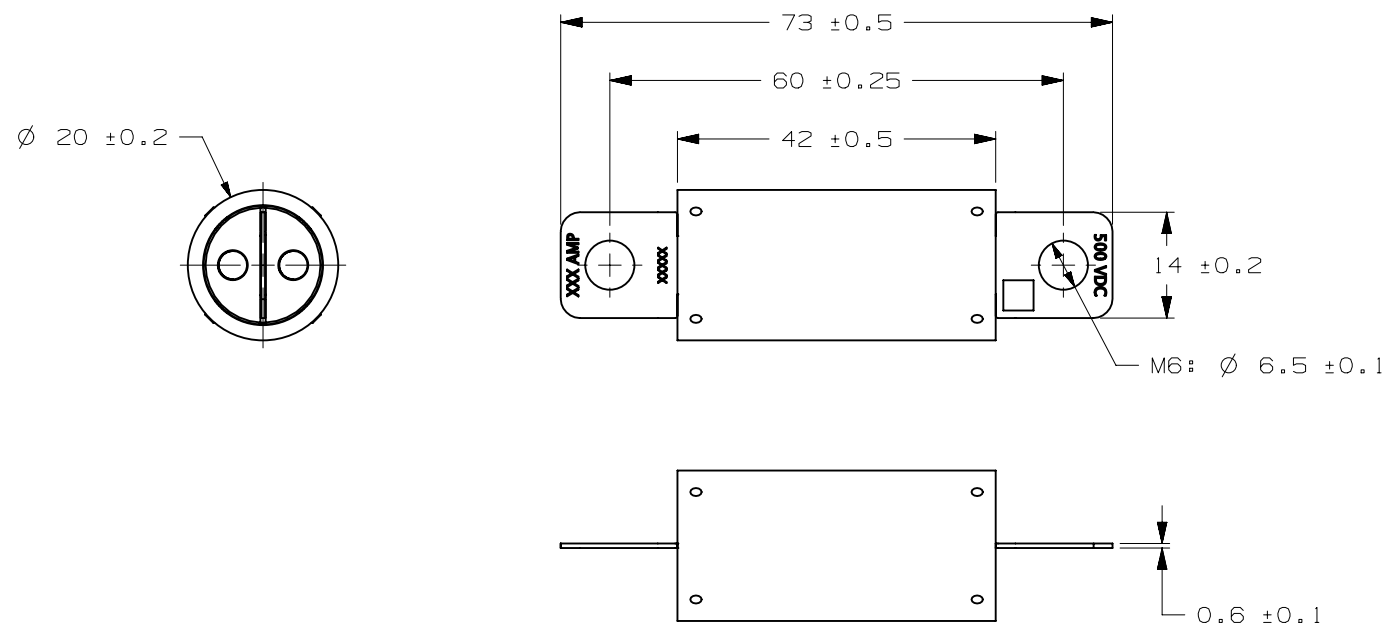


| CURRENT RATING [A] | VERSIONS AND PART NUMBERS |
|----------------------|---------------------------|
| | M6 BOLD DOWN |
| 60 | 20EV060.ZXBDMC |
| 70 | 20EV070.ZXBDMC |
| 80 | 20EV080.ZXBDMC |
| 100 | 20EV100.ZXBDMC |
| 125 | 20EV125.ZXBDMC |

| LTR | DATE | REVISION | DRW |
|-----|-----------|-----------------------------|-----|
| A | 12/JUL/23 | 526634GCA - INITIAL RELEASE | OPL |
| | | | |
| | | | |



ISOMETRIC VIEW



| HV 20EV 500V | | | | | | |
|----------------------|--|-----------|---------------------------|-----------|--------------------|-----------|
| TERMINAL MATERIAL: | COPPER ALLOY | | | | | |
| END BELLS: | ZINC ALLOY | | | | | |
| HOUSING MATERIAL: | BODY: MELAMINE (U.L. 94 FLAMMABILITY RATING - VO) | | | | | |
| LINEAR DIMENSIONS | | | | | ANGLES | RADII |
| DIM | .5 - 6 | 6 - 30 | 30 - 120 | 120 - 400 | $\pm 0.5^\circ$ | ± 0.2 |
| TOL | ± 0.1 | ± 0.2 | ± 0.3 | ± 0.5 | | |
| 3RD ANGLE PROJECTION | | | Littelfuse | REVISION | DRWG. NO. | |
| | | | CHICAGO, USA 773-628-1000 | A | WEB-20EV000.ZXBDMC | |