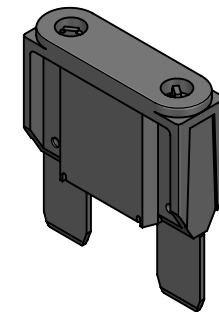
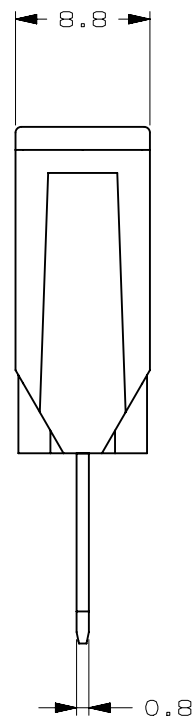
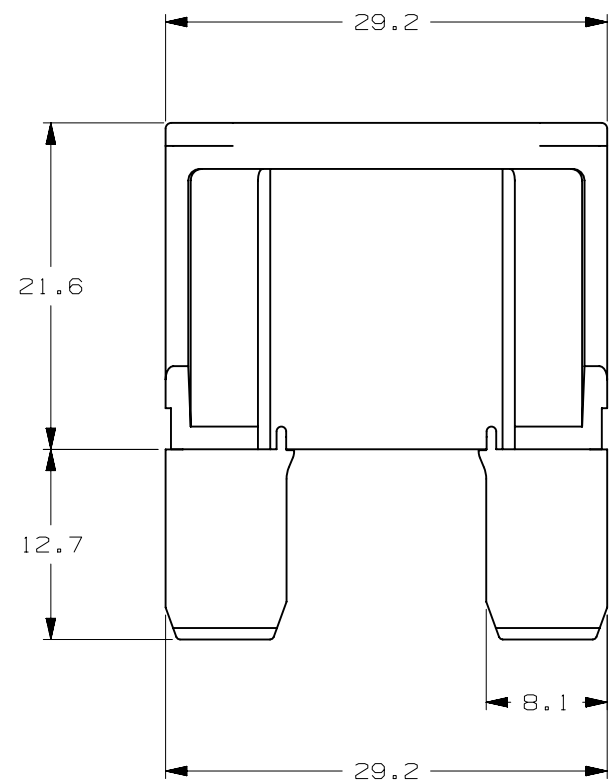


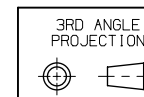
VERSIONS AND PART NUMBERS	
CURRENT RATE [ A ]	MAXI SMART GLOW
20	OMAX020.XPGLO
30	OMAX030.XPGLO
40	OMAX040.XPGLO
50	OMAX050.XPGLO
60	OMAX060.XPGLO
70	OMAX070.XPGLO
80	OMAX080.XPGLO
100	OMAX100.XPGLO

LTR	DATE	REVISION	DRW
A	01/FEB/23	526135GCA - INITIAL RELEASE	OPL



ISOMETRIC VIEW

MAXI SMART GLOW						
TERMINAL MATERIAL:	ZINC ALLOY					
TERMINAL PLATING:	TIN					
HOUSING MATERIAL:	PA66 (U.L. 94 FLAMMABILITY RATING V-2)					
LINEAR DIMENSIONS					ANGLES	RADII
DIM	.5 - 6	6 - 30	30 - 120	120 - 400	±0.5°	±0.2
TOL	±0.1	±0.2	±0.3	±0.5		



REVISION  
A

DRWG. NO.  
WEB-OMAX000.XPVGLO