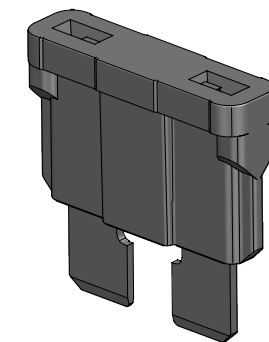
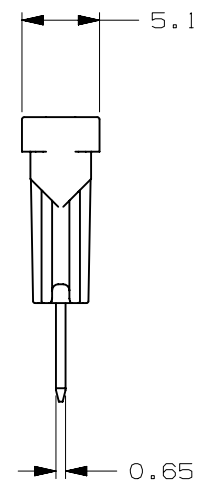
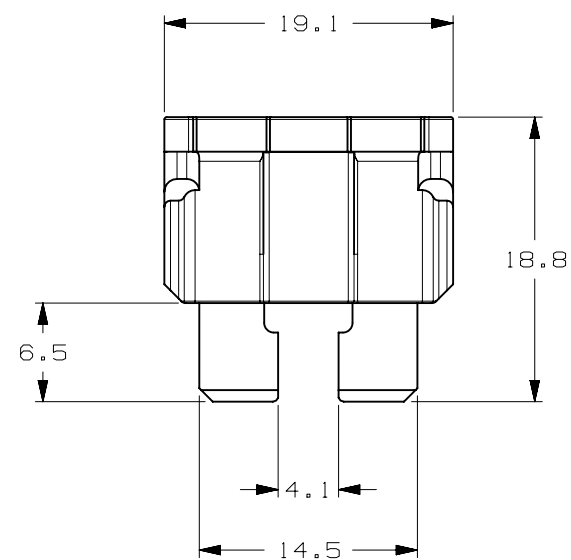


| CURRENT RATE [A] | VERSIONS AND PART NUMBERS ATO SMART GLOW |
|-----------------------|--|
| 3 | OAT0003.VPGLO |
| 5 | OAT0005.VPGLO |
| 7.5 | OAT0007.5VPGLO |
| 10 | OAT0010.VPGLO |
| 15 | OAT0015.VPGLO |
| 20 | OAT0020.VPGLO |
| 25 | OAT0025.VPGLO |
| 30 | OAT0030.VPGLO |
| 35 | OAT0035.VPGLO |

| LTR | DATE | REVISION | DRW |
|-----|-----------|-----------------------------|-----|
| A | 01/FEB/23 | 526135GCA - INITIAL RELEASE | OPL |
| | | | |
| | | | |



ISOMETRIC VIEW

| ATO SMART GLOW 32V | | | | | | |
|----------------------|--------|--|----------|-----------|-------------------|-------|
| TERMINAL MATERIAL: | | ZINC ALLOY | | | | |
| TERMINAL PLATING: | | TIN | | | | |
| HOUSING MATERIAL: | | 2A-20A: PC 1A & 25A: PSU 30A & 40A: PA 6/6 35A: PES | | | | |
| LINEAR DIMENSIONS | | | | | ANGLES | RADII |
| DIM | .5 - 6 | 6 - 30 | 30 - 120 | 120 - 400 | ±0.5° | ±0.2 |
| TOL | ±0.1 | ±0.2 | ±0.3 | ±0.5 | | |
| 3RD ANGLE PROJECTION | | Littelfuse® CHICAGO, USA 773-628-1000 | | REVISION | DRWG. NO. | |
| | | | | A | WEB-0AT0000.VPGLO | |