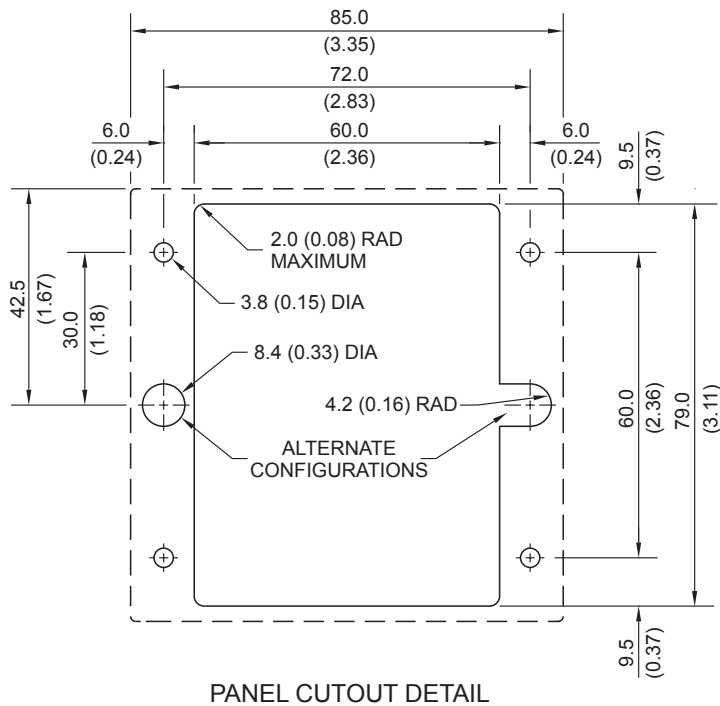
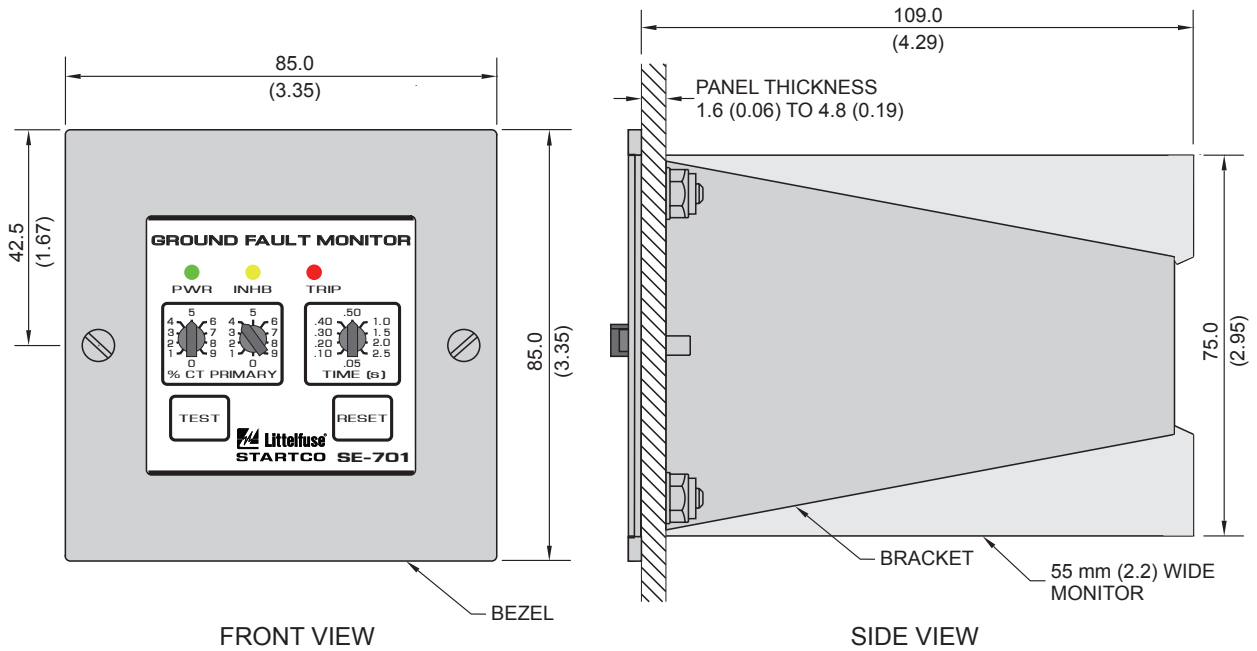


**PMA-55 ADAPTER FOR SE-701, SE-703, SE-704, OR SE-601**



*Installation Instructions:*

1. Remove bezel and latch monitor on bracket.
2. Insert bracket through front of panel cutout and secure with flat washers and locknuts provided.
3. Connect wiring to terminals.
4. Install bezel using 6-32 x 0.31 screws provided.

**NOTES:**

1. Dimensions in millimetres (inches).
2. Ground-fault monitor must be ordered separately with full part number.