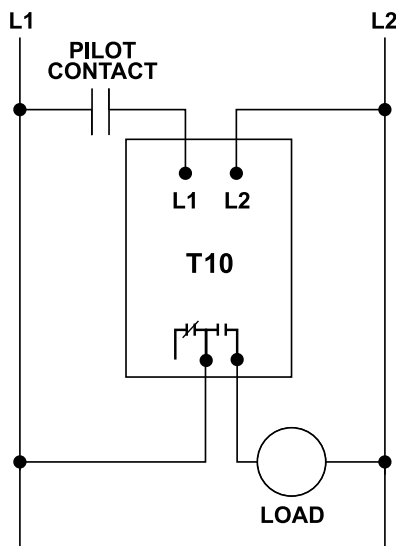


# T10 SERIES

## Solid-State On-Delay Timer



### Wiring Diagram



### Description

The T10 series on-delay timer is a solid-state electronic device that provides accurate and reliable timing for control circuits up to 460 V ac. The T10 features a user-selectable time delay from 6 seconds to 10 minutes (0.5 to 12 seconds on the T10S400 model) and SPDT output contacts. When power is applied to the T10, it immediately begins its timing cycle. During this time, the indicator LED alternates between red and green and the output contacts remain inactive. When the timing cycle is complete, the indicator LED turns solid green and the output contacts are activated. The output contacts will remain activated until power is removed from the T10.

The SPDT contact ratings are 480 V @ 240 V ac on the 115 V and 230 V models, and 470 VA @ 600 V ac on the 460 V model.

### Features & Benefits

- Status LED
- 600 V control relay on 460 V models

### Specifications

#### Input Characteristics

**Frequency** 50\*/60 Hz

#### Functional Characteristics

##### Timing Range

**T10100, T10200, T10400** 6 seconds to 10 minutes  
**T10S400** 0.5 seconds to 12 seconds

##### Repeat Accuracy

**Fixed Condition** ±1%

#### Output Characteristics

##### Output Contact Rating (SPDT)

##### Pilot Duty

**T10100, T10200** 480 VA @ 240 V ac  
**T10400, T10S400** 470 VA @ 600 V ac

#### General Characteristics

**Maximum Input Power** 5 W

##### Terminal

**Torque** 7 in.-lbs.  
**Wire Size** 12-18 AWG

##### Safety Marks

##### UL

UL 508 (File #E68520)

##### Dimensions

**H** 74.4 mm (2.93"); **W** 133.9 mm (5.27");  
**D** 74.9 mm (2.95")

##### Weight

0.94 lb. (15.04 oz., 426.38 g)

##### Mounting Method

#8 screws

\*Note: 50 Hz will increase all delay timers by 20%.

### Ordering Information

MODEL	LINE VOLTAGE	DESCRIPTION
T10120	115 V ac	0.1 to 10 minute range, 240 V ac rated output contacts
T10200	230 V ac	0.1 to 10 minute range, 240 V ac rated output contacts
T10400	460 V ac	0.1 to 10 minute range, 600 V ac rated output contacts
T10S400	460 V ac	0.5 to 12 second range, 600 V ac rated output contacts