

SE-400 SERIES

Ground-Fault-Relay Test Unit



Description

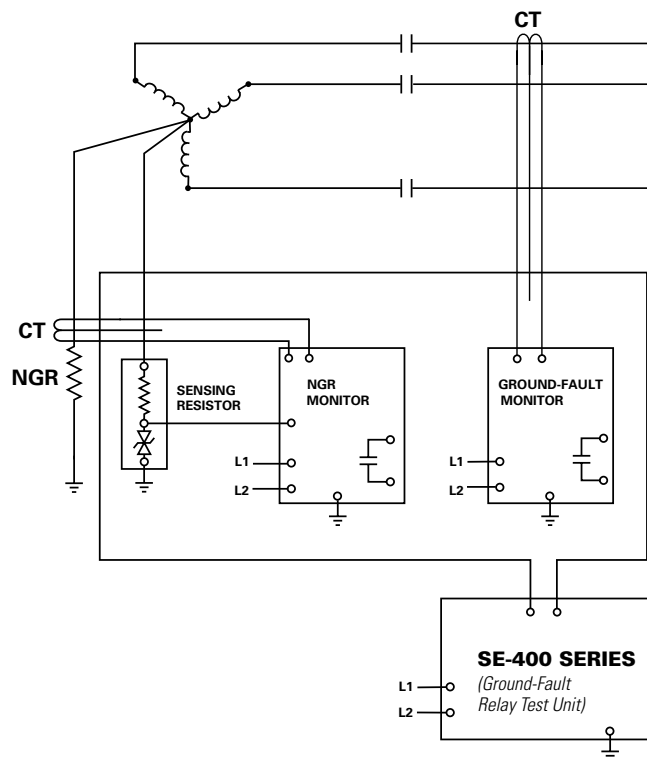
The SE-400 is a ground-fault-relay test unit designed to test current pickup level, time delay and coordination of ground-fault protection.

The tester injects current through the window of installed ground-fault current transformers to verify the operation of ground-fault monitors and relays.

It is used on substations, motor control centers (MCCs), central distribution panels, switchboards, and test benches to verify relay operation.

The SE-400 tests the entire ground-fault circuit including current transformers, wiring, ground-fault relay and the operation of the interrupting device. It is recommended to test every relay and its current interrupting device annually.

Simplified Circuit Diagram



Features & Benefits

| FEATURES | BENEFITS |
|--|--|
| Adjustable Current Setpoint | Current range is 0.5 to 9.9 A |
| Adjustable Time Duration Setpoint | Duration range is 0.1 to 9.9 s, or continuous output |
| Small Form Factor | Lightweight and compact for portability |
| Remote Test Input | Allows test to be initiated from another location |

Ordering Information

| ORDERING NUMBER | CONTROL POWER |
|-----------------|---------------|
| SE-400 | 120 Vac |

Specifications

| | |
|---------------------------------|---|
| Input Voltage | 84-134 Vac, 50/60 Hz, 80 VA |
| Dimensions | H 219 mm (8.6"); W 99 mm (3.9"); D 143 mm (5.6") |
| Output Current Settings | 0.5-9.9 A |
| Output Duration Settings | 0.1-9.9 s or continuous |
| Output Voltage | 5.0 Vac maximum |
| Conformally Coated | Standard feature |
| Warranty | 5 Year |
| Mounting | Surface, Panel |