



Expertise Applied | Answers Delivered



HIGH-SPEED SEMICONDUCTOR PRODUCTS CATALOG

POWR-SPEED® PRODUCTS

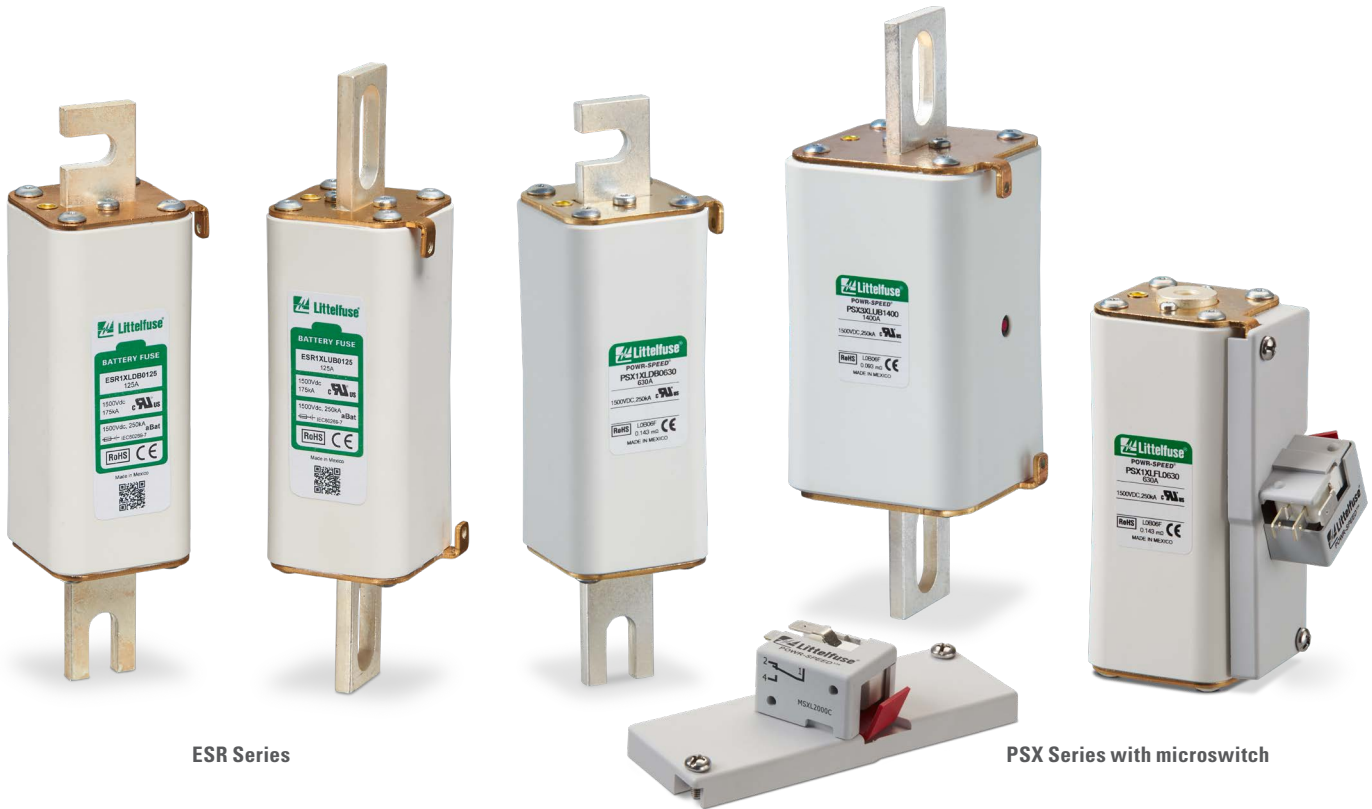
HIGH-SPEED FUSES

FUSE BLOCKS & HOLDERS

MICROSWITCHES

SPECIAL PURPOSE FUSES

Battery Protection Fuses



ESR Series

PSX Series with microswitch

Battery protection requires higher dc voltage, dc current and interrupting rating fuses than other applications. These specialty fuses deliver high-speed protection at the increased voltage coupled with better interrupting ratings, to prevent costly catastrophic failures due to overcurrents.

INTRODUCTION

POWR-*SPEED*® High-Speed Semiconductor Fuses 2



POWR-*SPEED* FUSES

High-Speed Square-Body Fuses

ESR Series 6
 PSX Series 9
 PSR Series Flush End 12
 PSR Series Bolted Blade 18
 PSR Series DIN Blade 24

High-Speed Round-Body Fuses

L75QS Series 30
 L70QS Series 33
 L50QS Series 36
 L70S Series 40
 L50S Series 43
 L15S Series 46
 L25S Series 50
 L60S / KLC Series 54



POWR-*SPEED* FUSE ACCESSORIES

LSCR Series High-Speed Fuse Blocks 58
 MS Series High-Speed Microswitches 62



SPECIAL PURPOSE FUSES

Telecommunications

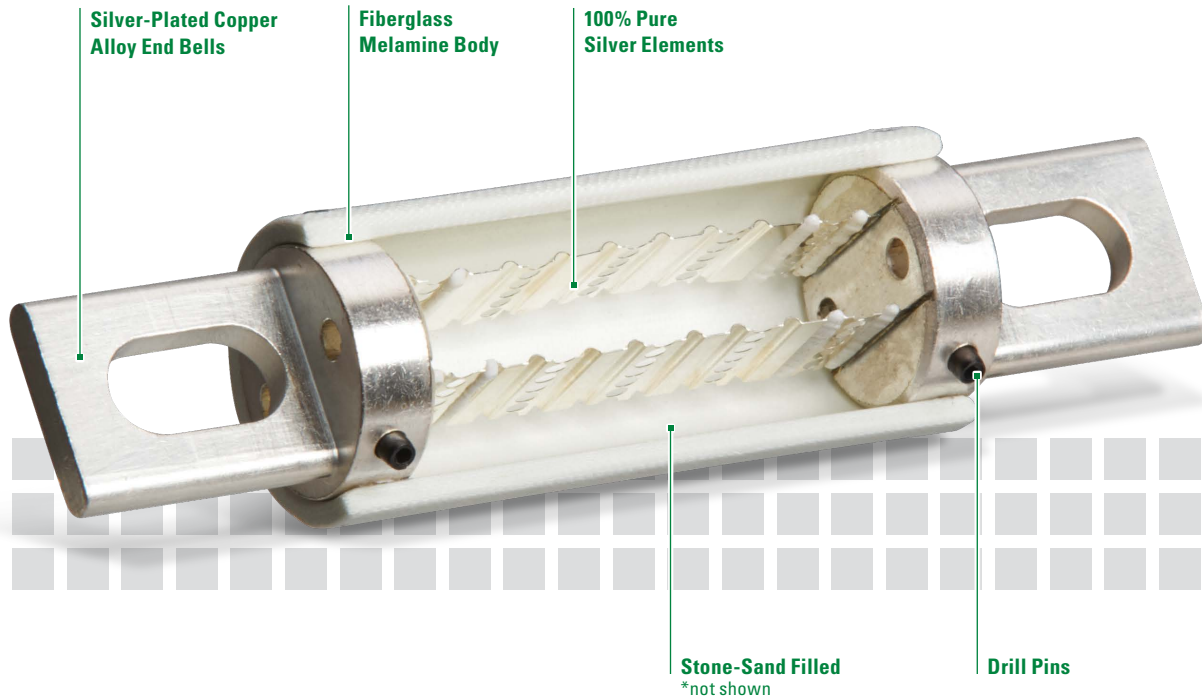
L17T Series Telecom Power Fuses 64
 TLS Series Telecom Power Fuses 65

CROSS REFERENCE GUIDE

POWR-*SPEED* Fuse Cross Reference 68

POWR-SPEED®

High-Speed



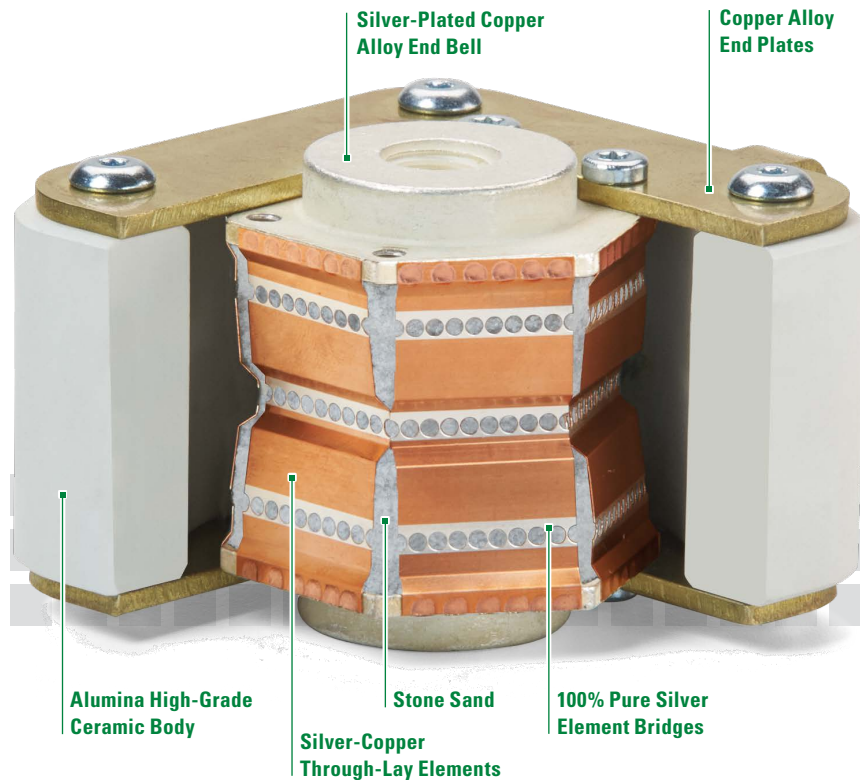
OPTIMIZED FOR PERFORMANCE AND EFFICIENCY

POWR-SPEED high-speed fuses are optimized for performance and efficiency to better protect your critical power semiconductors against short circuits. These certified fuses are reliable and fast-acting to help extend the life of your equipment.

The POWR-SPEED high-speed fuses are easy to retrofit as drop-in replacements where similar products are currently used. Plus, custom designs are available if you need a specific fuse for your application.

Contact us. Our engineers are eager to partner with you before, during, and long after the design process to meet your specific needs.

Semiconductor Fuses



| FEATURES | BENEFITS |
|----------------------------------|--|
| Extremely Current Limiting | Reduces peak let-through current and let-through energy (I^2t) to protect semiconductor components and devices |
| Low Watt Loss | Saves energy wasted during operation |
| Resilient Labeling* | Laser etched resistance values eliminate labels that erode over time |
| All Ratings Published on Label** | Eliminates confusion when replacing and inspecting |
| Universal Blade Mounting | Quick and easy field replacement |
| Flush End Terminals** | Flexibility to mount directly to bus-bar |
| RoHS and REACH Compliant | Environment friendly, offering greater acceptance in global power electronics |
| Silicone Sealant** | Prevents sand leakage and improves reliability |
| High Dc Interrupting Rating** | Achieves an interrupting rating of 150 kA for applications that require more power |

*Round-body style only

**Square-body style only

| PSX Series Fuses | |
|--|--|
| FEATURES | BENEFITS |
| Low watt loss | Prevents energy loss, more efficient, minimizes wasted power from components |
| Compact size | Facilitates design of smaller or more compact high energy density systems |
| Visual indication is standard | Easily detectable in the event of a fault |
| High dc voltage rating to 1500 V dc | Protection for highest rated dc battery energy storage systems in the market |
| Dc breaking capacity up to 250 kA at 1500 V dc | Facilitates design of long duration battery energy storage systems |
| Three terminations | Allows more versatility with mounting configurations |
| Low minimum breaking capacity | Offers protection for lower levels of fault current |

Download Our Guide on High-Speed Fuse Protection

An important part of developing quality overcurrent protection is understanding the system’s needs as well as overcurrent protective device fundamentals. For an in-depth look at high-speed fuse protection visit [Littelfuse.com/Powr-Speed-Application-Guide](https://www.littelfuse.com/powr-speed-application-guide) and download the guide.



POWR-SPEED® Fuses

ESR SERIES HIGH-SPEED SQUARE BODY

Battery Protection Fuses • 1500 V Dc • Class aBat • 125 A



Description

The Littelfuse Energy Storage Rack (ESR) series of fuses is designed specifically to protect battery racks in energy storage systems, inverters, and many other dc applications. The 1500 V dc high-speed square body fuse is extremely fast-acting to respond quickly to a range of fault currents to safeguard the battery module or other devices.

This Class aBat partial range fuse has superior short circuit protection and a low minimum breaking capacity (MBC)—from 300 % or 3 times the fuse’s rated current to 175 kA (250 kA self-certified)—to cover a range of over currents that traditional high-speed partial range fuses do not protect against.

The ESR fuse safely interrupts most faults in a battery storage system to avoid catastrophic failures and costly shutdowns.

Features & Benefits

| FEATURES | BENEFITS |
|--|--|
| High dc interrupting rating | Provides superior short-circuit protection and the ability to scale-up systems without the need to redesign the existing circuit protection, saving time and costs |
| Low minimum breaking current | Offers easy coordination with battery modules and reduces size and rating of dc contactors to save space and costs |
| Extremely fast acting | Delivers high-speed performance |
| Low watt loss | Maximizes efficiency by preventing energy loss and minimizing the wasted power of components |
| Conforms to the IEC60269-7 battery standard | Specifically design to safeguard evolving battery technologies with fuse circuit protection |
| Compact NH 1XL size | Saves space and offers design flexibility |

Applications

- Battery energy storage systems (BESSs)
 - Battery Protection Unit (BPU) and battery racks
- Power conversion systems
- Dc common bus systems
- Hybrid PV-BESS inverters

POWR-SPEED® Fuses

ESR SERIES HIGH-SPEED SQUARE BODY

Specifications

| | |
|------------------------------|---|
| Voltage Rating | 1500 V dc |
| Amperage Rating | 125 A |
| Interrupting Rating | 175 kA UL (250 kA self-certified) |
| Time Constant | ≤ 3 ms |
| Mounting | Bolted-blade style, DIN-blade style |
| Material | Body: ceramic Contacts: plated copper (bladed) |
| Applicable Standards | UL 248-13, IEC 60269-7 |
| Environmental | RoHS Compliant, REACH, Halogen Free |
| Operating Temperature | -55 °C to +125 °C |
| Storage Temperature | Up to +35 °C with relative humidity <65 % |
| Country of Origin | Mexico |

Certification & Compliance

| | |
|--------------|--|
| cURus | cURus Recognized (File: E71611) |
| CE | ESR_UB_220411_0 |
| RoHS | RoHS 2 Directive 2011/65/EU Directive (EU) 2015/863 |
| REACH | Regulation (EC) 1907/2006 |
| UKCA | UKCA-ESR_UB_220621_0 |

Ordering Information

| CASE SIZE | CATALOG NUMBER | ORDERING NUMBER | UPC | BOX QUANTITY |
|-----------|----------------|-----------------|-------------|--------------|
| NH 1XL | ESR1XLDB0125 | ESR1XLDB0125X | 07945830630 | 1 pc/box |
| NH 1XL | ESR1XLUB0125 | ESR1XLUB0125X | 07945830629 | 1 pc/box |

Electrical Specifications

| CASE SIZE | CATALOG NUMBER | | AMPERE RATING (A) | VOLTAGE RATING (V) | INTERRUPTING RATING | MINIMUM BREAKING CAPACITY (A) | MELTING (PRE-ARC) I ² T (A ² S) | TOTAL CLEARING I ² T (A ² S) AT RATED VOLTAGE | WATTS LOSS AT 100 % RATED CURRENT (W) | AGENCY CERTIFICATION |
|-----------|-------------------|----------------|-------------------|--------------------|-----------------------------------|-------------------------------|---|---|---------------------------------------|----------------------|
| | BOLTED BLADE (UB) | DIN BLADE (DB) | | DC | DC | | | DC | | cURus |
| NH 1XL | ESR1XLUB0125 | ESR1XLDB0125 | 125 | 1500 | 175 kA (250 kA Self-certified) | 375 | 2245 | 45000 | 53 | • |

Dimensions

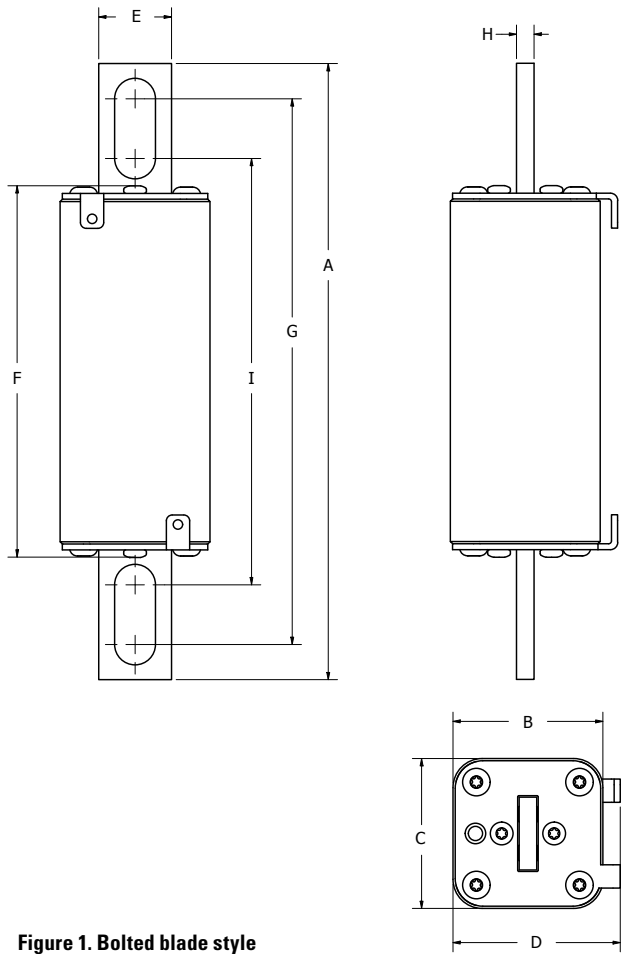


Figure 1. Bolted blade style

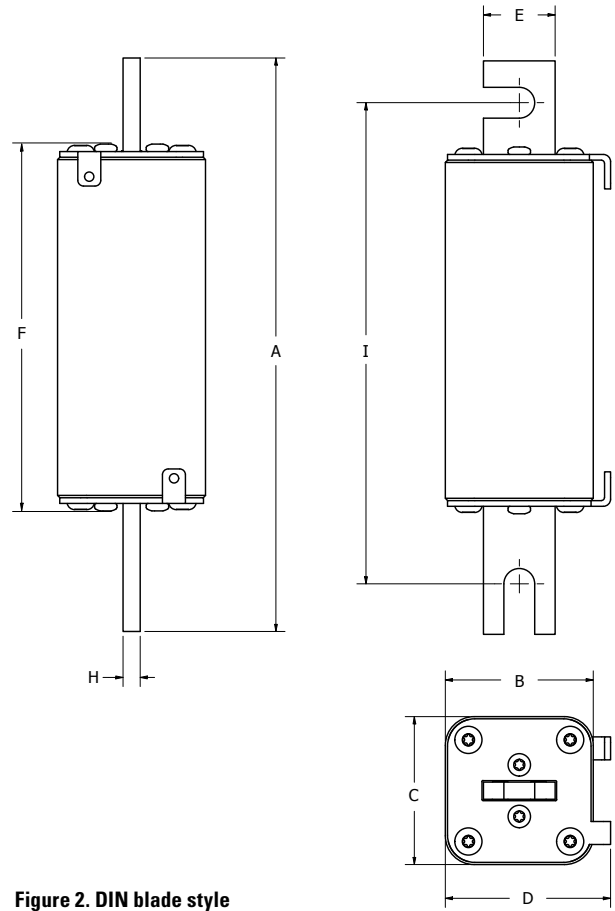


Figure 2. DIN blade style

| DIMENSIONS MM (IN) | | | | | | | | | | | | | |
|--------------------|-------------------|--------|-----------------|----------------|----------------|----------------|----------------|-----------------|-----------------|---------------|-----------------|----------------------|--------------------|
| CASE SIZE | MOUNTING STYLE | FIGURE | A | B | C | D | E | F | G | H | I | RECOMMENDED FASTENER | RECOMMENDED TORQUE |
| NH 1XL | BOLTED BLADE (UB) | 1 | 211.7 (8.33) | 51.5 (2.03) | 51.5 (2.03) | 57.5 (2.26) | 25.0 (0.98) | 127.7 (5.03) | 187.5 (7.38) | 6.0 (0.24) | 146.5 (5.77) | 12 (½) | 64 Nm |
| NH 1XL | DIN BLADE (DB) | 2 | 199.7 (7.86) | 51.5 (2.03) | 51.5 (2.03) | 57.5 (2.26) | 25.0 (0.98) | 127.7 (5.03) | - | 6.0 (0.24) | 167.5 (6.59) | 10 (3/8) | 26 Nm |

POWR-SPEED® Fuses

PSX SERIES HIGH-SPEED SQUARE BODY

Battery Protection Fuses • 1500 V Dc Class aBat • 80 A–1400 A



Description

Littelfuse PSX series 1500 V dc high-speed square body fuses are specially designed to protect battery energy storage systems (BESS), photovoltaic inverters, and many dc applications such as dc common bus systems, larger industrial regenerative drives, rectifiers and metal processing equipment.

The PSX series fuses are extremely fast-acting, offering high-speed performance up to 1500 V dc, ranging from 80 A to 1400 A in the smallest NH XL package sizes. The PSX series is available with multiple mounting terminations including flush-end, DIN, and bolted-blade styles. Visual blown fuse indication is standard on all fuses and optional micro-switch is available for external indication.

The PSX series is certified to UL248-13 and designed to meet IEC 60269-7 (Class aBat) battery protection fuse standard.

Features/Benefits

- High dc voltage rating up to 1500 V dc
- Dc interrupting rating is 250 kA
- Extremely fast acting for high speed performance
- Low watt loss provides energy efficiency for BESS applications
- Compact NH 1XL and 3XL sizes offer flexibility

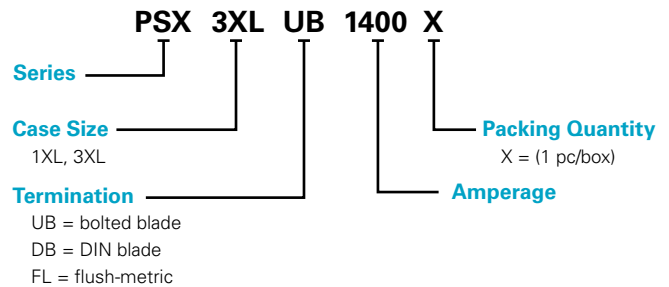
Applications

- Battery energy storage systems (BESSs)
- Power conversion systems
- Dc common bus systems
- Hybrid PV-BESS inverters
- Regenerative drives
- Industrial heaters and welding equipment
- Metal processing equipment

Specifications

| | |
|------------------------------|---|
| Voltage Rating | Dc: 1500 V |
| Amperage Rating | 80 A–1400 A |
| Interrupting Rating | Dc: 250 kA |
| Time Constant | 1XL: $\leq 3\text{ ms}$ 3XL: $\leq 5\text{ ms}$ |
| Microswitch | Yes |
| Mounting | Bolted-blade style, DIN-blade style, Metric flush-end style |
| Material | Body: ceramic Contacts: plated copper (bladed) plated brass (flush end) |
| Approvals | cURus Recognized (File: E71611) |
| Applicable Standards | UL 248-13, IEC 60269-7 |
| Environmental | RoHS Compliant, REACH |
| Operating Temperature | -55 °C to +125 °C |
| Storage Temperature | Up to +35 °C with relative humidity <math>< 65\%</math> |
| Country of Origin | Mexico |

Ordering Part Number



Catalog Number

| SERIES | CASE SIZE | TERMINATION | AMPERAGE | CATALOG NUMBER | ORDERING PART NUMBER |
|--------|-----------|-------------|----------|----------------|----------------------|
| PSX | 3XL | UB | 1400 | PSX3XLUB1400 | PSX3XLUB1400X |

Recommended Accessories

Microswitch: MSXL2000C

Web Resources

Download technical documents: Littelfuse.com/PSX

POWR-SPEED® Fuses

PSX SERIES HIGH-SPEED SQUARE BODY

Electrical Characteristics

| CASE SIZE | CATALOG NUMBER | | | AMPERE RATING (A) | VOLTAGE RATING (V) | INTERRUPTING RATING | MINIMUM BREAKING CAPACITY (A) | MELTING (PRE-ARC) I ² T (A ² S) | TOTAL CLEARING I ² T (A ² S) AT RATED VOLTAGE | WATTS LOSS AT 100% RATED CURRENT (W) | AGENCY CERTIFICATION | |
|--------------|-------------------|-------------------|----------------|-------------------|--------------------|---------------------|-------------------------------|---|---|--------------------------------------|----------------------|-------|
| | FLUSH METRIC (FL) | BOLTED BLADE (UB) | DIN BLADE (DB) | | DC | DC | | DC | DC | DC | DC | cURus |
| | | | | | | | | | | | | |
| NH 1XL | PSX1XLFL0080 | PSX1XLUB0080 | PSX1XLDB0080 | 80 | 1500 | 250 kA | 800 A | 2048 | 8720 | 16.4 | • | |
| | PSX1XLFL0100 | PSX1XLUB0100 | PSX1XLDB0100 | 100 | 1500 | 250 kA | 1000 A | 3540 | 15485 | 19.1 | • | |
| | PSX1XLFL0125 | PSX1XLUB0125 | PSX1XLDB0125 | 125 | 1500 | 250 kA | 1250 A | 7091 | 35720 | 19.6 | • | |
| | PSX1XLFL0160 | PSX1XLUB0160 | PSX1XLDB0160 | 160 | 1500 | 250 kA | 1600 A | 13704 | 55490 | 24.6 | • | |
| | PSX1XLFL0200 | PSX1XLUB0200 | PSX1XLDB0200 | 200 | 1500 | 250 kA | 2000 A | 18016 | 77240 | 34.6 | • | |
| | PSX1XLFL0250 | PSX1XLUB0250 | PSX1XLDB0250 | 250 | 1500 | 250 kA | 2500 A | 36552 | 156450 | 38.5 | • | |
| | PSX1XLFL0280 | PSX1XLUB0280 | PSX1XLDB0280 | 280 | 1500 | 250 kA | 2800 A | 36552 | 156450 | 48.7 | • | |
| | PSX1XLFL0315 | PSX1XLUB0315 | PSX1XLDB0315 | 315 | 1500 | 250 kA | 3150 A | 56940 | 212400 | 53.6 | • | |
| | PSX1XLFL0350 | PSX1XLUB0350 | PSX1XLDB0350 | 350 | 1500 | 250 kA | 3500 A | 86623 | 332050 | 51.8 | • | |
| | PSX1XLFL0400 | PSX1XLUB0400 | PSX1XLDB0400 | 400 | 1500 | 250 kA | 4000 A | 116271 | 352600 | 64.4 | • | |
| | PSX1XLFL0450 | PSX1XLUB0450 | PSX1XLDB0450 | 450 | 1500 | 250 kA | 4500 A | 149336 | 540850 | 69.3 | • | |
| | PSX1XLFL0500 | PSX1XLUB0500 | PSX1XLDB0500 | 500 | 1500 | 250 kA | 5000 A | 250109 | 774600 | 71.5 | • | |
| | PSX1XLFL0550 | PSX1XLUB0550 | PSX1XLDB0550 | 550 | 1500 | 250 kA | 5500 A | 276650 | 924967 | 83.1 | • | |
| PSX1XLFL0630 | PSX1XLUB0630 | PSX1XLDB0630 | 630 | 1500 | 250 kA | 6300 A | 276650 | 924967 | 127.3 | • | | |
| NH 3XL | PSX3XLFL0450 | PSX3XLUB0450 | PSX3XLDB0450 | 450 | 1500 | 250 kA | 4500 A | 57143 | 194500 | 146.3 | • | |
| | PSX3XLFL0500 | PSX3XLUB0500 | PSX3XLDB0500 | 500 | 1500 | 250 kA | 5000 A | 98570 | 333900 | 132.5 | • | |
| | PSX3XLFL0550 | PSX3XLUB0550 | PSX3XLDB0550 | 550 | 1500 | 250 kA | 5500 A | 142790 | 451600 | 136.7 | • | |
| | PSX3XLFL0630 | PSX3XLUB0630 | PSX3XLDB0630 | 630 | 1500 | 250 kA | 6300 A | 205617 | 650304 | 150.9 | • | |
| | PSX3XLFL0700 | PSX3XLUB0700 | PSX3XLDB0700 | 700 | 1500 | 250 kA | 7000 A | 305720 | 1003650 | 164.5 | • | |
| | PSX3XLFL0800 | PSX3XLUB0800 | PSX3XLDB0800 | 800 | 1500 | 250 kA | 8000 A | 335493 | 1150000 | 209.6 | • | |
| | PSX3XLFL0900 | PSX3XLUB0900 | PSX3XLDB0900 | 900 | 1500 | 250 kA | 9000 A | 403262 | 1308500 | 266.9 | • | |
| | PSX3XLFL1000 | PSX3XLUB1000 | PSX3XLDB1000 | 1000 | 1500 | 250 kA | 10000 A | 484792 | 1791500 | 335.0 | • | |
| | PSX3XLFL1100 | PSX3XLUB1100 | PSX3XLDB1100 | 1100 | 1500 | 250 kA | 11000 A | 656719 | 2201250 | 341.0 | • | |
| | PSX3XLFL1250 | PSX3XLUB1250 | PSX3XLDB1250 | 1250 | 1500 | 250 kA | 12500 A | 995376 | 3003500 | 346.9 | • | |
| | PSX3XLFL1400 | PSX3XLUB1400 | PSX3XLDB1400 | 1400 | 1500 | 250 kA | 14000 A | 1395828 | 4228250 | 361.9 | • | |

Ordering Information

| CASE SIZE | FLUSH METRIC (FL) | | | BOLTED BLADE (UB) | | | DIN BLADE (DB) | | | BOX QUANTITY |
|--------------|-------------------|----------------------|--------------|-------------------|----------------------|--------------|----------------|----------------------|-------------|--------------|
| | CATALOG NUMBER | ORDERING PART NUMBER | UPC | CATALOG NUMBER | ORDERING PART NUMBER | UPC | CATALOG NUMBER | ORDERING PART NUMBER | UPC | |
| | | | | | | | | | | |
| NH 1XL | PSX1XLFL0080 | PSX1XLFL0080X | 07945825798 | PSX1XLUB0080 | PSX1XLUB0080X | 07945825819 | PSX1XLDB0080 | PSX1XLDB0080X | 07945826320 | 1 pc/box |
| | PSX1XLFL0100 | PSX1XLFL0100X | 07945825799 | PSX1XLUB0100 | PSX1XLUB0100X | 07945825820 | PSX1XLDB0100 | PSX1XLDB0100X | 07945826321 | 1 pc/box |
| | PSX1XLFL0125 | PSX1XLFL0125X | 07945825800 | PSX1XLUB0125 | PSX1XLUB0125X | 07945825821 | PSX1XLDB0125 | PSX1XLDB0125X | 07945826322 | 1 pc/box |
| | PSX1XLFL0160 | PSX1XLFL0160X | 07945825801 | PSX1XLUB0160 | PSX1XLUB0160X | 07945825822 | PSX1XLDB0160 | PSX1XLDB0160X | 07945826323 | 1 pc/box |
| | PSX1XLFL0200 | PSX1XLFL0200X | 07945825802 | PSX1XLUB0200 | PSX1XLUB0200X | 07945825823 | PSX1XLDB0200 | PSX1XLDB0200X | 07945826324 | 1 pc/box |
| | PSX1XLFL0250 | PSX1XLFL0250X | 07945825803 | PSX1XLUB0250 | PSX1XLUB0250X | 07945825824 | PSX1XLDB0250 | PSX1XLDB0250X | 07945826325 | 1 pc/box |
| | PSX1XLFL0280 | PSX1XLFL0280X | 07945825804 | PSX1XLUB0280 | PSX1XLUB0280X | 07945825825 | PSX1XLDB0280 | PSX1XLDB0280X | 07945826326 | 1 pc/box |
| | PSX1XLFL0315 | PSX1XLFL0315X | 07945825805 | PSX1XLUB0315 | PSX1XLUB0315X | 07945825826 | PSX1XLDB0315 | PSX1XLDB0315X | 07945826327 | 1 pc/box |
| | PSX1XLFL0350 | PSX1XLFL0350X | 07945825806 | PSX1XLUB0350 | PSX1XLUB0350X | 07945825827 | PSX1XLDB0350 | PSX1XLDB0350X | 07945826328 | 1 pc/box |
| | PSX1XLFL0400 | PSX1XLFL0400X | 07945825807 | PSX1XLUB0400 | PSX1XLUB0400X | 07945825828 | PSX1XLDB0400 | PSX1XLDB0400X | 07945826329 | 1 pc/box |
| | PSX1XLFL0450 | PSX1XLFL0450X | 07945825808 | PSX1XLUB0450 | PSX1XLUB0450X | 07945825829 | PSX1XLDB0450 | PSX1XLDB0450X | 07945826330 | 1 pc/box |
| | PSX1XLFL0500 | PSX1XLFL0500X | 07945825809 | PSX1XLUB0500 | PSX1XLUB0500X | 07945826310 | PSX1XLDB0500 | PSX1XLDB0500X | 07945826331 | 1 pc/box |
| | PSX1XLFL0550 | PSX1XLFL0550X | 07945825810 | PSX1XLUB0550 | PSX1XLUB0550X | 07945826311 | PSX1XLDB0550 | PSX1XLDB0550X | 07945826332 | 1 pc/box |
| PSX1XLFL0630 | PSX1XLFL0630X | 07945825811 | PSX1XLUB0630 | PSX1XLUB0630X | 07945826312 | PSX1XLDB0630 | PSX1XLDB0630X | 07945826333 | 1 pc/box | |
| NH 3XL | PSX3XLFL0450 | PSX3XLFL0450X | 07945828641 | PSX3XLUB0450 | PSX3XLUB0450X | 07945828645 | PSX3XLDB0450 | PSX3XLDB0450X | 07945828649 | 1 pc/box |
| | PSX3XLFL0500 | PSX3XLFL0500X | 07945828642 | PSX3XLUB0500 | PSX3XLUB0500X | 07945828646 | PSX3XLDB0500 | PSX3XLDB0500X | 07945828650 | 1 pc/box |
| | PSX3XLFL0550 | PSX3XLFL0550X | 07945828643 | PSX3XLUB0550 | PSX3XLUB0550X | 07945828647 | PSX3XLDB0550 | PSX3XLDB0550X | 07945828651 | 1 pc/box |
| | PSX3XLFL0630 | PSX3XLFL0630X | 07945828644 | PSX3XLUB0630 | PSX3XLUB0630X | 07945828648 | PSX3XLDB0630 | PSX3XLDB0630X | 07945828652 | 1 pc/box |
| | PSX3XLFL0700 | PSX3XLFL0700X | 07945825812 | PSX3XLUB0700 | PSX3XLUB0700X | 07945826313 | PSX3XLDB0700 | PSX3XLDB0700X | 07945826334 | 1 pc/box |
| | PSX3XLFL0800 | PSX3XLFL0800X | 07945825813 | PSX3XLUB0800 | PSX3XLUB0800X | 07945826314 | PSX3XLDB0800 | PSX3XLDB0800X | 07945826335 | 1 pc/box |
| | PSX3XLFL0900 | PSX3XLFL0900X | 07945825814 | PSX3XLUB0900 | PSX3XLUB0900X | 07945826315 | PSX3XLDB0900 | PSX3XLDB0900X | 07945826336 | 1 pc/box |
| | PSX3XLFL1000 | PSX3XLFL1000X | 07945825815 | PSX3XLUB1000 | PSX3XLUB1000X | 07945826316 | PSX3XLDB1000 | PSX3XLDB1000X | 07945826337 | 1 pc/box |
| | PSX3XLFL1100 | PSX3XLFL1100X | 07945825816 | PSX3XLUB1100 | PSX3XLUB1100X | 07945826317 | PSX3XLDB1100 | PSX3XLDB1100X | 07945826338 | 1 pc/box |
| | PSX3XLFL1250 | PSX3XLFL1250X | 07945825817 | PSX3XLUB1250 | PSX3XLUB1250X | 07945826318 | PSX3XLDB1250 | PSX3XLDB1250X | 07945826339 | 1 pc/box |
| | PSX3XLFL1400 | PSX3XLFL1400X | 07945825818 | PSX3XLUB1400 | PSX3XLUB1400X | 07945826319 | PSX3XLDB1400 | PSX3XLDB1400X | 07945826340 | 1 pc/box |

Dimensions

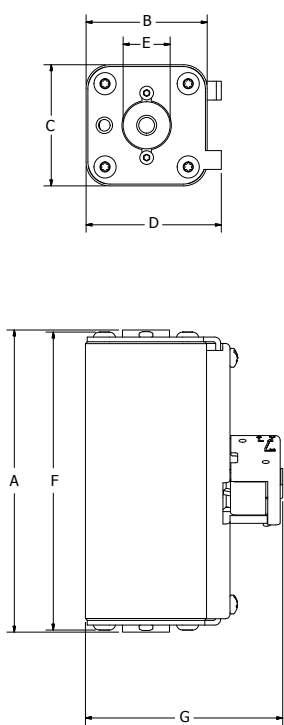


Figure 1. Flush-metric style

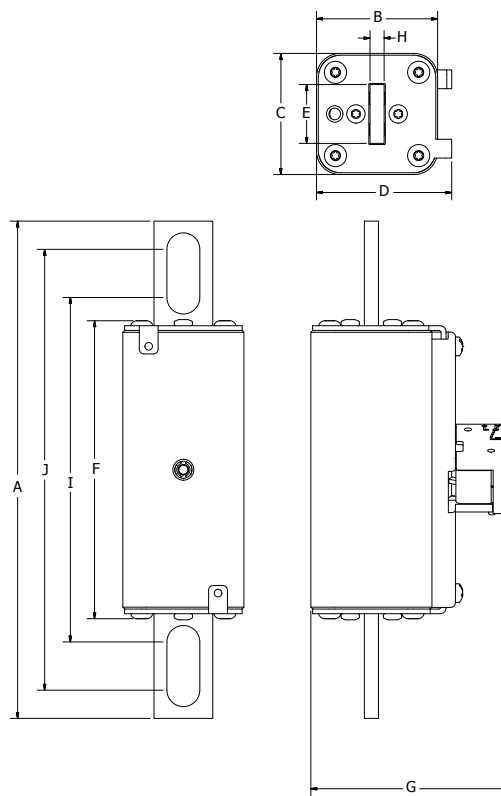


Figure 2. Bolted-blade style

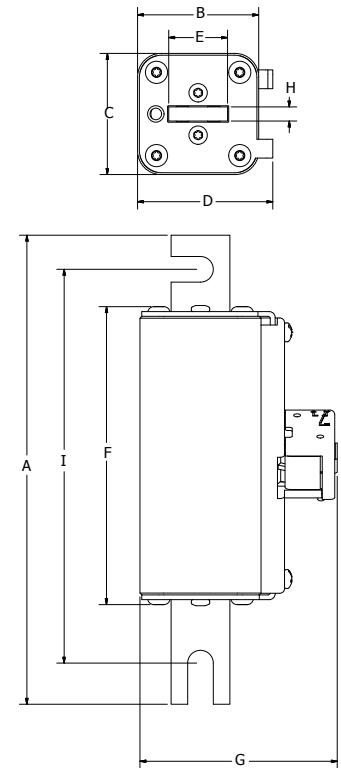


Figure 3. DIN-blade style

| DIMENSIONS MM (IN) | | | | | | | | | | | | | | | |
|--------------------|-------------------|--------|-----------------|----------------|----------------|----------------|----------------|-----------------|-----------------|---------------|-----------------|-----------------|----------------------|------------|--------------------|
| CASE SIZE | MOUNTING STYLE | FIGURE | A | B | C | D | E | F | G* | H | I | J | RECOMMENDED FASTENER | THREAD | RECOMMENDED TORQUE |
| NH 1XL | FLUSH METRIC (FL) | 1 | 128.5 (5.06) | 51.5 (2.03) | 51.5 (2.03) | 57.5 (2.26) | 20.0 (0.79) | 126.7 (4.99) | 83.9 (3.30) | - | - | - | - | M8 x 1.25 | 13–20 Nm |
| | BOLTED BLADE (UB) | 2 | 211.5 (8.33) | 51.5 (2.03) | 51.5 (2.03) | 57.5 (2.26) | 25.0 (0.98) | 126.7 (4.99) | 83.9 (3.30) | 6.0 (0.24) | 146.5 (5.77) | 187.5 (7.38) | 12 mm (1/2) | - | 64 Nm |
| | DIN BLADE (DB) | 3 | 199.5 (7.85) | 51.5 (2.03) | 51.5 (2.03) | 57.5 (2.26) | 25.0 (0.98) | 126.7 (4.99) | 83.9 (3.30) | 6.0 (0.24) | 167.5 (6.59) | - | 10 mm (3/8) | - | 26 Nm |
| NH 3XL | FLUSH METRIC (FL) | 1 | 129.5 (5.10) | 73.5 (2.89) | 73.5 (2.89) | 79.5 (3.13) | 30.0 (1.18) | 128.1 (5.04) | 105.9 (4.17) | - | - | - | - | M12 x 1.75 | 45–55 Nm |
| | BOLTED BLADE (UB) | 2 | 213.5 (8.41) | 73.5 (2.89) | 73.5 (2.89) | 79.5 (3.13) | 36.0 (1.42) | 128.7 (5.07) | 105.9 (4.17) | 6.0 (0.24) | 153.1 (6.03) | 186.1 (7.33) | 14 mm (9/16) | - | 92 Nm |
| | DIN BLADE (DB) | 3 | 199.0 (7.83) | 73.5 (2.89) | 73.5 (2.89) | 79.5 (3.13) | 36.0 (1.42) | 128.7 (5.07) | 105.9 (4.17) | 6.0 (0.24) | 166.8 (6.57) | - | 10 mm (3/8) | - | 26 Nm |

*These dimensions include the optional bolt-on microswitch.

POWR-SPEED® Fuses

PSR SERIES HIGH-SPEED SQUARE BODY

Semiconductor Fuses • Flush End • 40 A–2250 A



Description

Littelfuse PSR series high-speed square body fuses are specially designed for protection of power semiconductor devices such as diodes, triacs, IGBTs, SCRs, MOSFETs, and other solid state devices that are typically designed into power conversion and power conditioning equipment. Variable frequency drives, inverters, UPS, rectifiers, and soft-starters are examples of typical equipment designed with sensitive power semiconductor devices that cannot withstand any line surge or overcurrent conditions and require high-speed protection.

Littelfuse POWR-SPEED PSR series products offer optimized circuit protection at the extremely fast speed required to protect modern day power conversion devices. Such products are commonly found in numerous applications including pulp and paper industries, cranes and heavy-lifting equipment, processing industries, wastewater treatment plants, and various large factories and MRO facilities.

Features/Benefits

- Best in class dc performance
- Extremely current limiting
- Superior cycling capability
- Global certification cURus, CCC*
- Direct bus-bar mount design
- Visual and optional microswitch fuse blown indication
- Low watt-loss design
- Compliance with US and Canadian requirements
- Fast-acting Class aR performance

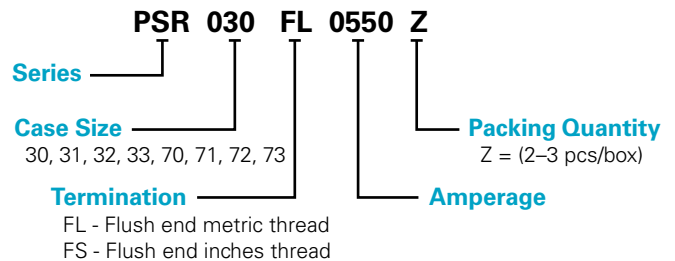
Applications

- Power conversion devices (UPS, inverter, rectifiers, drives)
- Dc systems (dc common bus, dc injection braking)
- Battery protection application (energy storage systems)
- Electric vehicle charging stations
- Heaters and power supplies

Specifications

| | |
|------------------------------|---|
| Voltage Range | Ac: 450 V–1300 V Dc: 450 V–1000 V |
| Amperage Range | 40 A–2250 A |
| Interrupting Range | Ac: 100 kA–200 kA Dc: 150 kA |
| Time Constant | 10 ms at IR |
| Microswitch | Yes |
| Mounting | Flush-end style |
| Material | Body: ceramic Contacts: plated brass |
| Approvals | cURus Recognized (File: E71611) CCC (Ac voltage) * |
| Applicable Standards | UL248-13, IEC 60269-4 (Class aR) |
| Environmental | RoHS Compliant, REACH |
| Operating Temperature | -55 °C to +125 °C |
| Storage Temperature | Up to +35 °C with relative humidity <65 % |
| Country of Origin | Mexico |

Ordering Part Number



Catalog Number

| SERIES | CASE SIZE | TERMINATION | AMPERAGE | CATALOG NUMBER | ORDERING PART NUMBER |
|--------|-----------|-------------|----------|----------------|----------------------|
| PSR | 030 | FL | 0550 | PSR030FL0550 | PSR030FL0550Z |

Recommended Accessories

Microswitch: MS3H1000C (case size 30 to 33)
MS7H1500C (case size 70 to 73)

Web Resources

Download technical documents: [Littelfuse.com/PSR](https://www.littelfuse.com/PSR)
Note: high-speed fuses are designed for fixed installations. They are not intended for use in moving vehicle applications.

* Refer to CCC section of Electrical Characteristics table

POWR-SPEED® Fuses

PSR SERIES HIGH-SPEED SQUARE BODY

Electrical Characteristics

| CASE SIZE | CATALOG NUMBER | | AMPERE RATING (A) | VOLTAGE RATING (V) | | | INTERRUPTING RATING | | MELTING (PRE-ARC) I ² T (A ² s) | TOTAL CLEARING I ² T (A ² s) AT RATED VOLTAGE | | WATT LOSS AT 100 % RATED CURRENT (W) | AGENCY CERTIFICATION | |
|--------------|-------------------------|-------------------------|-------------------|--------------------|-------|--------|---------------------|---------|---|---|---------|--------------------------------------|----------------------|------|
| | FLUSH END METRIC THREAD | FLUSH END INCHES THREAD | | AC | | DC | AC | DC | | AC | DC | | cURus | CCC* |
| | | | | IEC | UL | | | | | | | | | |
| 30 | PSR030FL0040 | PSR030FS0040 | 40 | 690 | 700 | 600 | 200 kA | 150 kA | 76 | 280 | 260 | 12 | • | • |
| | PSR030FL0050 | PSR030FS0050 | 50 | 690 | 700 | 600 | 200 kA | 150 kA | 110 | 598 | 384 | 15 | • | • |
| | PSR030FL0063 | PSR030FS0063 | 63 | 690 | 700 | 600 | 200 kA | 150 kA | 176 | 1023 | 640 | 20 | • | • |
| | PSR030FL0080 | PSR030FS0080 | 80 | 690 | 700 | 600 | 200 kA | 150 kA | 304 | 1728 | 1252 | 24 | • | • |
| | PSR030FL0100 | PSR030FS0100 | 100 | 690 | 700 | 600 | 200 kA | 150 kA | 437 | 2835 | 1575 | 27 | • | • |
| | PSR030FL0125 | PSR030FS0125 | 125 | 690 | 700 | 600 | 200 kA | 150 kA | 707 | 4684 | 2783 | 36 | • | • |
| | PSR030FL0160 | PSR030FS0160 | 160 | 690 | 700 | 600 | 200 kA | 150 kA | 1359 | 9114 | 5507 | 39 | • | • |
| | PSR030FL0200 | PSR030FS0200 | 200 | 690 | 700 | 600 | 200 kA | 150 kA | 3012 | 15169 | 14700 | 39 | • | • |
| | PSR030FL0250 | PSR030FS0250 | 250 | 690 | 700 | 600 | 200 kA | 150 kA | 4668 | 29952 | 20833 | 50 | • | • |
| | PSR030FL0315 | PSR030FS0315 | 315 | 690 | 700 | 600 | 200 kA | 150 kA | 7131 | 61830 | 31600 | 61 | • | • |
| | PSR030FL0350 | PSR030FS0350 | 350 | 690 | 700 | 600 | 200 kA | 150 kA | 12007 | 85320 | 49273 | 62 | • | • |
| | PSR030FL0400 | PSR030FS0400 | 400 | 690 | 700 | 600 | 200 kA | 150 kA | 16209 | 114750 | 63367 | 75 | • | • |
| | PSR030FL0450 | PSR030FS0450 | 450 | 690 | 700 | 600 | 200 kA | 150 kA | 23133 | 160110 | 93533 | 75 | • | • |
| | PSR030FL0500 | PSR030FS0500 | 500 | 690 | 700 | 600 | 200 kA | 150 kA | 31429 | 225180 | 137333 | 80 | • | • |
| PSR030FL0550 | PSR030FS0550 | 550 | 690 | 700 | 600 | 200 kA | 150 kA | 44323 | 268920 | 145400 | 78 | • | • | |
| PSR030FL0630 | PSR030FS0630 | 630 | 690 | 700 | 550 | 200 kA | 150 kA | 57404 | 480010 | 267800 | 90 | • | • | |
| 31 | PSR031FL0200 | PSR031FS0200 | 200 | 690 | 700 | 600 | 200 kA | 150 kA | 1965 | 17334 | 16188 | 49 | • | • |
| | PSR031FL0250 | PSR031FS0250 | 250 | 690 | 700 | 600 | 200 kA | 150 kA | 3789 | 35343 | 21080 | 52 | • | • |
| | PSR031FL0315 | PSR031FS0315 | 315 | 690 | 700 | 600 | 200 kA | 150 kA | 6862 | 59130 | 30694 | 61 | • | • |
| | PSR031FL0350 | PSR031FS0350 | 350 | 690 | 700 | 600 | 200 kA | 150 kA | 9523 | 76140 | 40996 | 63 | • | • |
| | PSR031FL0400 | PSR031FS0400 | 400 | 690 | 700 | 600 | 200 kA | 150 kA | 14770 | 124335 | 64359 | 64 | • | • |
| | PSR031FL0450 | PSR031FS0450 | 450 | 690 | 700 | 600 | 200 kA | 150 kA | 22457 | 178200 | 97444 | 69 | • | • |
| | PSR031FL0500 | PSR031FS0500 | 500 | 690 | 700 | 600 | 200 kA | 150 kA | 29751 | 251505 | 125935 | 81 | • | • |
| | PSR031FL0550 | PSR031FS0550 | 550 | 690 | 700 | 600 | 200 kA | 150 kA | 42056 | 289170 | 171845 | 77 | • | • |
| | PSR031FL0630 | PSR031FS0630 | 630 | 690 | 700 | 600 | 200 kA | 150 kA | 45403 | 415500 | 175500 | 93 | • | • |
| | PSR031FL0700 | PSR031FS0700 | 700 | 690 | 700 | 600 | 200 kA | 150 kA | 98187 | 601425 | 337260 | 92 | • | • |
| PSR031FL0800 | PSR031FS0800 | 800 | 690 | 700 | 600 | 200 kA | 150 kA | 137208 | 848880 | 502800 | 106 | • | • | |
| PSR031FL0900 | PSR031FS0900 | 900 | 550 | 600 | 550 | 200 kA | 150 kA | 155163 | 945100 | 631820 | 118 | • | • | |
| 32 | PSR032FL0400 | PSR032FS0400 | 400 | 690 | 700 | 600 | 200 kA | 150 kA | 11104 | 79650 | 44533 | 82 | • | • |
| | PSR032FL0450 | PSR032FS0450 | 450 | 690 | 700 | 600 | 200 kA | 150 kA | 15535 | 116100 | 65463 | 88 | • | • |
| | PSR032FL0500 | PSR032FS0500 | 500 | 690 | 700 | 600 | 200 kA | 150 kA | 21573 | 161460 | 88277 | 94 | • | • |
| | PSR032FL0550 | PSR032FS0550 | 550 | 690 | 700 | 600 | 200 kA | 150 kA | 26327 | 177660 | 107960 | 104 | • | • |
| | PSR032FL0630 | PSR032FS0630 | 630 | 690 | 700 | 600 | 200 kA | 150 kA | 34790 | 234900 | 156963 | 110 | • | • |
| | PSR032FL0700 | PSR032FS0700 | 700 | 690 | 700 | 600 | 200 kA | 150 kA | 51191 | 291870 | 209287 | 117 | • | • |
| | PSR032FL0800 | PSR032FS0800 | 800 | 690 | 700 | 600 | 200 kA | 150 kA | 60125 | 472770 | 249000 | 145 | • | • |
| | PSR032FL0900 | PSR032FS0900 | 900 | 690 | 700 | 600 | 200 kA | 150 kA | 107785 | 764100 | 404000 | 145 | • | • |
| | PSR032FL1000 | PSR032FS1000 | 1000 | 690 | 700 | 600 | 200 kA | 150 kA | 190102 | 933120 | 672333 | 146 | • | • |
| | PSR032FL1100 | PSR032FS1100 | 1100 | 690 | 700 | 600 | 200 kA | 150 kA | 225379 | 1247400 | 744000 | 149 | • | • |
| | PSR032FL1250 | PSR032FS1250 | 1250 | 550 | 500** | 450** | 200 kA | 150 kA | 336661 | 1114994 | 1197000 | 149 | • | • |
| | PSR032FL1400 | PSR032FS1400 | 1400 | 450 | 500 | 450 | 200 kA | 150 kA | 551749 | 1611639 | 1865400 | 154 | • | • |
| | PSR032FL1500 | PSR032FS1500 | 1500 | 450 | 500 | 450 | 200 kA | 150 kA | 673360 | 2045907 | 1735500 | 171 | • | • |
| 33 | PSR033FL0450 | PSR033FS0450 | 450 | 690 | 700 | 600 | 200 kA | 150 kA | 13600 | 106380 | 58947 | 99 | • | • |
| | PSR033FL0500 | PSR033FS0500 | 500 | 690 | 700 | 600 | 200 kA | 150 kA | 16434 | 140400 | 77846 | 107 | • | • |
| | PSR033FL0550 | PSR033FS0550 | 550 | 690 | 700 | 600 | 200 kA | 150 kA | 23314 | 187650 | 100461 | 108 | • | • |
| | PSR033FL0630 | PSR033FS0630 | 630 | 690 | 700 | 600 | 200 kA | 150 kA | 38727 | 285930 | 142437 | 113 | • | • |
| | PSR033FL0700 | PSR033FS0700 | 700 | 690 | 700 | 600 | 200 kA | 150 kA | 56763 | 392580 | 209863 | 113 | • | • |
| | PSR033FL0800 | PSR033FS0800 | 800 | 690 | 700 | 600 | 200 kA | 150 kA | 84691 | 575505 | 348500 | 120 | • | • |
| | PSR033FL0900 | PSR033FS0900 | 900 | 690 | 700 | 600 | 200 kA | 150 kA | 122619 | 740340 | 451177 | 122 | • | • |
| | PSR033FL1000 | PSR033FS1000 | 1000 | 690 | 700 | 600 | 200 kA | 150 kA | 222350 | 1170450 | 787750 | 124 | • | • |
| | PSR033FL1100 | PSR033FS1100 | 1100 | 690 | 700 | 600 | 200 kA | 150 kA | 310824 | 1568700 | 821400 | 127 | • | • |
| | PSR033FL1250 | PSR033FS1250 | 1250 | 690 | 700 | 600 | 200 kA | 150 kA | 476902 | 2403000 | 1674333 | 131 | • | • |
| | PSR033FL1400 | PSR033FS1400 | 1400 | 690 | 700 | 500 | 200 kA | 150 kA | 583552 | 2920050 | 1979750 | 144 | • | • |
| | PSR033FL1500 | PSR033FS1500 | 1500 | 600 | 650 | 500 | 200 kA | 150 kA | 674538 | 2433200 | 1996733 | 163 | • | • |
| | PSR033FL1600 | PSR033FS1600 | 1600 | 600 | 650 | 500 | 200 kA | 150 kA | 779948 | 2942800 | 2301633 | 182 | • | • |
| | PSR033FL1800 | PSR033FS1800 | 1800 | 600 | 650 | 500 | 200 kA | 150 kA | 952196 | 3785040 | 2724180 | 224 | • | • |
| | PSR033FL2000 | PSR033FS2000 | 2000 | 550 | 600 | 500 | 200 kA | 150 kA | 1234315 | 4131600 | 3755180 | 222 | • | • |
| PSR033FL2250 | PSR033FS2250 | 2250 | 500 | 550 | 450 | 200 kA | 150 kA | 1236000 | 4459651 | 3859500 | 299 | • | • | |

* CCC Certification only on Flush End Metric Thread Version

** PSR032 1250 A: 600 V Ac/550 V Dc

POWR-SPEED® Fuses

PSR SERIES HIGH-SPEED SQUARE BODY

Electrical Characteristics (cont.)

| CASE SIZE | CATALOG NUMBER | | AMPERE RATING (A) | VOLTAGE RATING (V) | | | INTERRUPTING RATING | | MELTING (PRE-ARC) I ² T (A ² s) | TOTAL CLEARING I ² T (A ² s) AT RATED VOLTAGE | | WATT LOSS AT 100 % RATED CURRENT (W) | AGENCY CERTIFICATION | |
|--------------|-------------------------|-------------------------|-------------------|--------------------|--------|---------|---------------------|--------|---|---|---------|--------------------------------------|----------------------|------|
| | FLUSH END METRIC THREAD | FLUSH END INCHES THREAD | | AC | | DC | AC | DC | | AC | DC | | cURus | CCC* |
| | | | | IEC | UL | | | | | | | | | |
| 70 | PSR070FL0050 | PSR070FS0050 | 50 | 1250 | 1300 | 1000 | 100 kA | 150 kA | 177 | 2050 | 400 | 21 | • | • |
| | PSR070FL0063 | PSR070FS0063 | 63 | 1250 | 1300 | 1000 | 100 kA | 150 kA | 273 | 3399 | 900 | 23 | • | • |
| | PSR070FL0080 | PSR070FS0080 | 80 | 1250 | 1300 | 1000 | 100 kA | 150 kA | 583 | 6732 | 2200 | 24 | • | • |
| | PSR070FL0100 | PSR070FS0100 | 100 | 1250 | 1300 | 1000 | 100 kA | 150 kA | 974 | 10996 | 3750 | 29 | • | • |
| | PSR070FL0125 | PSR070FS0125 | 125 | 1250 | 1300 | 1000 | 100 kA | 150 kA | 1352 | 13011 | 5150 | 43 | • | • |
| | PSR070FL0160 | PSR070FS0160 | 160 | 1250 | 1300 | 1000 | 100 kA | 150 kA | 2377 | 25662 | 8950 | 51 | • | • |
| | PSR070FL0200 | PSR070FS0200 | 200 | 1250 | 1300 | 1000 | 100 kA | 150 kA | 4177 | 39087 | 17267 | 61 | • | • |
| | PSR070FL0250 | PSR070FS0250 | 250 | 1250 | 1300 | 1000 | 100 kA | 150 kA | 8629 | 89790 | 36750 | 71 | • | • |
| | PSR070FL0280 | PSR070FS0280 | 280 | 1250 | 1300 | 1000 | 100 kA | 150 kA | 11844 | 113201 | 46750 | 71 | • | • |
| | PSR070FL0315 | PSR070FS0315 | 315 | 1250 | 1300 | 1000 | 100 kA | 150 kA | 18162 | 142051 | 66833 | 69 | • | • |
| PSR070FL0350 | PSR070FS0350 | 350 | 1250 | 1200** | 900** | 100 kA | 150 kA | 22963 | 215230 | 95410 | 73 | • | • | |
| PSR070FL0400 | PSR070FS0400 | 400 | 1100 | 1200 | 900 | 100 kA | 150 kA | 37103 | 283480 | 154320 | 71 | • | • | |
| 71 | PSR071FL0160 | PSR071FS0160 | 160 | 1250 | 1300 | 1000 | 100 kA | 150 kA | 2756 | 24600 | 8800 | 42 | • | • |
| | PSR071FL0200 | PSR071FS0200 | 200 | 1250 | 1300 | 1000 | 100 kA | 150 kA | 4918 | 50307 | 19050 | 52 | • | • |
| | PSR071FL0250 | PSR071FS0250 | 250 | 1250 | 1300 | 1000 | 100 kA | 150 kA | 10592 | 104427 | 43100 | 54 | • | • |
| | PSR071FL0280 | PSR071FS0280 | 280 | 1250 | 1300 | 1000 | 100 kA | 150 kA | 13763 | 131897 | 54150 | 58 | • | • |
| | PSR071FL0315 | PSR071FS0315 | 315 | 1250 | 1300 | 1000 | 100 kA | 150 kA | 20882 | 200244 | 67450 | 60 | • | • |
| | PSR071FL0350 | PSR071FS0350 | 350 | 1250 | 1300 | 1000 | 100 kA | 150 kA | 23301 | 225500 | 102500 | 71 | • | • |
| | PSR071FL0400 | PSR071FS0400 | 400 | 1250 | 1300 | 1000 | 100 kA | 150 kA | 43211 | 374986 | 185000 | 69 | • | • |
| | PSR071FL0450 | PSR071FS0450 | 450 | 1250 | 1300 | 1000 | 100 kA | 150 kA | 55915 | 452394 | 241333 | 88 | • | • |
| | PSR071FL0500 | PSR071FS0500 | 500 | 1100 | 1200 | 900 | 100 kA | 150 kA | 75315 | 468845 | 253960 | 82 | • | • |
| | PSR071FL0550 | PSR071FS0550 | 550 | 1100 | 1200 | 900 | 100 kA | 150 kA | 87328 | 693507 | 332600 | 90 | • | • |
| PSR071FL0630 | PSR071FS0630 | 630 | 1000 | 1100 | 900 | 100 kA | 150 kA | 131240 | 790862 | 426550 | 100 | • | • | |
| 72 | PSR072FL0250 | PSR072FS0250 | 250 | 1250 | 1300 | 1000 | 100 kA | 150 kA | 7737 | 72789 | 28567 | 63 | • | • |
| | PSR072FL0280 | PSR072FS0280 | 280 | 1250 | 1300 | 1000 | 100 kA | 150 kA | 10915 | 124538 | 46897 | 62 | • | • |
| | PSR072FL0315 | PSR072FS0315 | 315 | 1250 | 1300 | 1000 | 100 kA | 150 kA | 16187 | 145140 | 58867 | 67 | • | • |
| | PSR072FL0350 | PSR072FS0350 | 350 | 1250 | 1300 | 1000 | 100 kA | 150 kA | 18727 | 160447 | 69633 | 80 | • | • |
| | PSR072FL0400 | PSR072FS0400 | 400 | 1250 | 1300 | 1000 | 100 kA | 150 kA | 27112 | 243540 | 108000 | 89 | • | • |
| | PSR072FL0450 | PSR072FS0450 | 450 | 1250 | 1300 | 1000 | 100 kA | 150 kA | 35927 | 406413 | 159133 | 107 | • | • |
| | PSR072FL0500 | PSR072FS0500 | 500 | 1250 | 1300 | 1000 | 100 kA | 150 kA | 50398 | 425375 | 216333 | 115 | • | • |
| | PSR072FL0550 | PSR072FS0550 | 550 | 1250 | 1300 | 1000 | 100 kA | 150 kA | 73858 | 539833 | 271333 | 115 | • | • |
| | PSR072FL0630 | PSR072FS0630 | 630 | 1250 | 1300 | 1000 | 100 kA | 150 kA | 126126 | 942180 | 436000 | 119 | • | • |
| | PSR072FL0700 | PSR072FS0700 | 700 | 1100 | 1200 | 900*** | 100 kA | 150 kA | 228761 | 1123694 | 715180 | 115 | • | • |
| | PSR072FL0800 | PSR072FS0800 | 800 | 1100 | 1200 | 900*** | 100 kA | 150 kA | 230695 | 1432388 | 911650 | 113 | • | • |
| | PSR072FL0900 | PSR072FS0900 | 900 | 1000 | 900** | 900*** | 100 kA | 150 kA | 376641 | 1309993 | 1030400 | 125 | • | • |
| PSR072FL1000 | PSR072FS1000 | 1000 | 850 | 900 | 800*** | 100 kA | 150 kA | 455955 | 1772548 | 1361500 | 136 | • | • | |
| 73 | PSR073FL0315 | PSR073FS0315 | 315 | 1250 | 1300 | 1000 | 100 kA | 150 kA | 10245 | 106600 | 38650 | 88 | • | • |
| | PSR073FL0350 | PSR073FS0350 | 350 | 1250 | 1300 | 1000 | 100 kA | 150 kA | 13586 | 159627 | 57467 | 96 | • | • |
| | PSR073FL0400 | PSR073FS0400 | 400 | 1250 | 1300 | 1000 | 100 kA | 150 kA | 19797 | 211273 | 86800 | 124 | • | • |
| | PSR073FL0450 | PSR073FS0450 | 450 | 1250 | 1300 | 1000 | 100 kA | 150 kA | 29834 | 279073 | 114333 | 122 | • | • |
| | PSR073FL0500 | PSR073FS0500 | 500 | 1250 | 1300 | 1000 | 100 kA | 150 kA | 42751 | 416437 | 184500 | 121 | • | • |
| | PSR073FL0550 | PSR073FS0550 | 550 | 1250 | 1300 | 1000 | 100 kA | 150 kA | 55513 | 491713 | 224500 | 130 | • | • |
| | PSR073FL0630 | PSR073FS0630 | 630 | 1250 | 1300 | 1000 | 100 kA | 150 kA | 94649 | 804338 | 377500 | 136 | • | • |
| | PSR073FL0700 | PSR073FS0700 | 700 | 1250 | 1300 | 1000 | 100 kA | 150 kA | 158097 | 1170960 | 575667 | 135 | • | • |
| | PSR073FL0800 | PSR073FS0800 | 800 | 1250 | 1300 | 1000*** | 100 kA | 150 kA | 234943 | 1769880 | 733460 | 123 | • | • |
| | PSR073FL0900 | PSR073FS0900 | 900 | 950 | 1050 | 800*** | 100 kA | 150 kA | 317743 | 2280547 | 901779 | 140 | • | • |
| | PSR073FL1000 | PSR073FS1000 | 1000 | 950 | 1050 | 800*** | 100 kA | 150 kA | 476221 | 3910801 | 1546418 | 128 | • | • |
| | PSR073FL1100 | PSR073FS1100 | 1100 | 950 | 1050 | 800*** | 100 kA | 150 kA | 570870 | 2736600 | 1699000 | 166 | • | • |
| | PSR073FL1250 | PSR073FS1250 | 1250 | 900 | 1000 | - | 100 kA | - | 993924 | 3091160 | - | 182 | • | • |
| | PSR073FL1400 | PSR073FS1400 | 1400 | 900 | 1000 | - | 100 kA | - | 1168091 | 3627820 | - | 229 | • | • |

* CCC Certification only on Flush End Metric Thread Version

** PSR070 350 A: 1300 V Ac/1000 V Dc

PSR072 900 A: 1100 V Ac

*** No UL certification for Dc voltage

POWR-SPEED® Fuses

PSR SERIES HIGH-SPEED SQUARE BODY

Ordering Information

| CASE SIZE | FLUSH END - METRIC THREAD | | | FLUSH END - INCHES THREAD | | | BOX QUANTITY PCS/BOX |
|--------------|---------------------------|----------------------|--------------|---------------------------|----------------------|-------------|----------------------|
| | CATALOG NUMBER | ORDERING PART NUMBER | UPC | CATALOG NUMBER | ORDERING PART NUMBER | UPC | |
| 30 | PSR030FL0040 | PSR030FL0040Z | 07945820436 | PSR030FS0040 | PSR030FS0040Z | 07945820451 | 3 pcs/box |
| | PSR030FL0050 | PSR030FL0050Z | 07945820437 | PSR030FS0050 | PSR030FS0050Z | 07945820452 | 3 pcs/box |
| | PSR030FL0063 | PSR030FL0063Z | 07945820438 | PSR030FS0063 | PSR030FS0063Z | 07945820453 | 3 pcs/box |
| | PSR030FL0080 | PSR030FL0080Z | 07945820439 | PSR030FS0080 | PSR030FS0080Z | 07945820454 | 3 pcs/box |
| | PSR030FL0100 | PSR030FL0100Z | 07945820440 | PSR030FS0100 | PSR030FS0100Z | 07945820455 | 3 pcs/box |
| | PSR030FL0125 | PSR030FL0125Z | 07945820441 | PSR030FS0125 | PSR030FS0125Z | 07945820456 | 3 pcs/box |
| | PSR030FL0160 | PSR030FL0160Z | 07945820442 | PSR030FS0160 | PSR030FS0160Z | 07945820457 | 3 pcs/box |
| | PSR030FL0200 | PSR030FL0200Z | 07945820443 | PSR030FS0200 | PSR030FS0200Z | 07945820458 | 3 pcs/box |
| | PSR030FL0250 | PSR030FL0250Z | 07945820444 | PSR030FS0250 | PSR030FS0250Z | 07945820459 | 3 pcs/box |
| | PSR030FL0315 | PSR030FL0315Z | 07945820445 | PSR030FS0315 | PSR030FS0315Z | 07945820460 | 3 pcs/box |
| | PSR030FL0350 | PSR030FL0350Z | 07945820446 | PSR030FS0350 | PSR030FS0350Z | 07945820461 | 3 pcs/box |
| | PSR030FL0400 | PSR030FL0400Z | 07945820447 | PSR030FS0400 | PSR030FS0400Z | 07945820462 | 3 pcs/box |
| | PSR030FL0450 | PSR030FL0450Z | 07945820448 | PSR030FS0450 | PSR030FS0450Z | 07945820463 | 3 pcs/box |
| | PSR030FL0500 | PSR030FL0500Z | 07945820449 | PSR030FS0500 | PSR030FS0500Z | 07945820464 | 3 pcs/box |
| | PSR030FL0550 | PSR030FL0550Z | 07945820450 | PSR030FS0550 | PSR030FS0550Z | 07945820465 | 3 pcs/box |
| PSR030FL0630 | PSR030FL0630Z | 07945827757 | PSR030FS0630 | PSR030FS0630Z | 07945827778 | 3 pcs/box | |
| 31 | PSR031FL0200 | PSR031FL0200Z | 07945820466 | PSR031FS0200 | PSR031FS0200Z | 07945820477 | 3 pcs/box |
| | PSR031FL0250 | PSR031FL0250Z | 07945820467 | PSR031FS0250 | PSR031FS0250Z | 07945820478 | 3 pcs/box |
| | PSR031FL0315 | PSR031FL0315Z | 07945820468 | PSR031FS0315 | PSR031FS0315Z | 07945820479 | 3 pcs/box |
| | PSR031FL0350 | PSR031FL0350Z | 07945820469 | PSR031FS0350 | PSR031FS0350Z | 07945820480 | 3 pcs/box |
| | PSR031FL0400 | PSR031FL0400Z | 07945820470 | PSR031FS0400 | PSR031FS0400Z | 07945820481 | 3 pcs/box |
| | PSR031FL0450 | PSR031FL0450Z | 07945820471 | PSR031FS0450 | PSR031FS0450Z | 07945820482 | 3 pcs/box |
| | PSR031FL0500 | PSR031FL0500Z | 07945820472 | PSR031FS0500 | PSR031FS0500Z | 07945820483 | 3 pcs/box |
| | PSR031FL0550 | PSR031FL0550Z | 07945820473 | PSR031FS0550 | PSR031FS0550Z | 07945820484 | 3 pcs/box |
| | PSR031FL0630 | PSR031FL0630Z | 07945820474 | PSR031FS0630 | PSR031FS0630Z | 07945820485 | 3 pcs/box |
| | PSR031FL0700 | PSR031FL0700Z | 07945820475 | PSR031FS0700 | PSR031FS0700Z | 07945820486 | 3 pcs/box |
| | PSR031FL0800 | PSR031FL0800Z | 07945820476 | PSR031FS0800 | PSR031FS0800Z | 07945820487 | 3 pcs/box |
| | PSR031FL0900 | PSR031FL0900Z | 07945827758 | PSR031FS0900 | PSR031FS0900Z | 07945827779 | 3 pcs/box |
| 32 | PSR032FL0400 | PSR032FL0400Z | 07945820488 | PSR032FS0400 | PSR032FS0400Z | 07945820498 | 3 pcs/box |
| | PSR032FL0450 | PSR032FL0450Z | 07945820489 | PSR032FS0450 | PSR032FS0450Z | 07945820499 | 3 pcs/box |
| | PSR032FL0500 | PSR032FL0500Z | 07945820490 | PSR032FS0500 | PSR032FS0500Z | 07945820500 | 3 pcs/box |
| | PSR032FL0550 | PSR032FL0550Z | 07945820491 | PSR032FS0550 | PSR032FS0550Z | 07945820501 | 3 pcs/box |
| | PSR032FL0630 | PSR032FL0630Z | 07945820492 | PSR032FS0630 | PSR032FS0630Z | 07945820502 | 3 pcs/box |
| | PSR032FL0700 | PSR032FL0700Z | 07945820493 | PSR032FS0700 | PSR032FS0700Z | 07945820503 | 3 pcs/box |
| | PSR032FL0800 | PSR032FL0800Z | 07945820494 | PSR032FS0800 | PSR032FS0800Z | 07945820504 | 3 pcs/box |
| | PSR032FL0900 | PSR032FL0900Z | 07945820495 | PSR032FS0900 | PSR032FS0900Z | 07945820505 | 3 pcs/box |
| | PSR032FL1000 | PSR032FL1000Z | 07945820496 | PSR032FS1000 | PSR032FS1000Z | 07945820506 | 3 pcs/box |
| | PSR032FL1100 | PSR032FL1100Z | 07945820497 | PSR032FS1100 | PSR032FS1100Z | 07945820507 | 3 pcs/box |
| | PSR032FL1250 | PSR032FL1250Z | 07945827759 | PSR032FS1250 | PSR032FS1250Z | 07945827780 | 3 pcs/box |
| | PSR032FL1400 | PSR032FL1400Z | 07945827760 | PSR032FS1400 | PSR032FS1400Z | 07945827781 | 3 pcs/box |
| | PSR032FL1500 | PSR032FL1500Z | 07945827761 | PSR032FS1500 | PSR032FS1500Z | 07945827782 | 3 pcs/box |
| 33 | PSR033FL0450 | PSR033FL0450Z | 07945822163 | PSR033FS0450 | PSR033FS0450Z | 07945822164 | 3 pcs/box |
| | PSR033FL0500 | PSR033FL0500Z | 07945820508 | PSR033FS0500 | PSR033FS0500Z | 07945820522 | 3 pcs/box |
| | PSR033FL0550 | PSR033FL0550Z | 07945820509 | PSR033FS0550 | PSR033FS0550Z | 07945820523 | 3 pcs/box |
| | PSR033FL0630 | PSR033FL0630Z | 07945820510 | PSR033FS0630 | PSR033FS0630Z | 07945820524 | 3 pcs/box |
| | PSR033FL0700 | PSR033FL0700Z | 07945820511 | PSR033FS0700 | PSR033FS0700Z | 07945820525 | 3 pcs/box |
| | PSR033FL0800 | PSR033FL0800Z | 07945820512 | PSR033FS0800 | PSR033FS0800Z | 07945820526 | 3 pcs/box |
| | PSR033FL0900 | PSR033FL0900Z | 07945820513 | PSR033FS0900 | PSR033FS0900Z | 07945820527 | 3 pcs/box |
| | PSR033FL1000 | PSR033FL1000Z | 07945820514 | PSR033FS1000 | PSR033FS1000Z | 07945820528 | 3 pcs/box |
| | PSR033FL1100 | PSR033FL1100Z | 07945820515 | PSR033FS1100 | PSR033FS1100Z | 07945820529 | 3 pcs/box |
| | PSR033FL1250 | PSR033FL1250Z | 07945820516 | PSR033FS1250 | PSR033FS1250Z | 07945820530 | 3 pcs/box |
| | PSR033FL1400 | PSR033FL1400Z | 07945820517 | PSR033FS1400 | PSR033FS1400Z | 07945820531 | 3 pcs/box |
| | PSR033FL1500 | PSR033FL1500Z | 07945820518 | PSR033FS1500 | PSR033FS1500Z | 07945820532 | 3 pcs/box |
| | PSR033FL1600 | PSR033FL1600Z | 07945820519 | PSR033FS1600 | PSR033FS1600Z | 07945820533 | 3 pcs/box |
| | PSR033FL1800 | PSR033FL1800Z | 07945820520 | PSR033FS1800 | PSR033FS1800Z | 07945820534 | 3 pcs/box |
| | PSR033FL2000 | PSR033FL2000Z | 07945820521 | PSR033FS2000 | PSR033FS2000Z | 07945820535 | 3 pcs/box |
| PSR033FL2250 | PSR033FL2250Z | 07945827762 | PSR033FS2250 | PSR033FS2250Z | 07945827783 | 3 pcs/box | |

POWR-SPEED® Fuses

PSR SERIES HIGH-SPEED SQUARE BODY

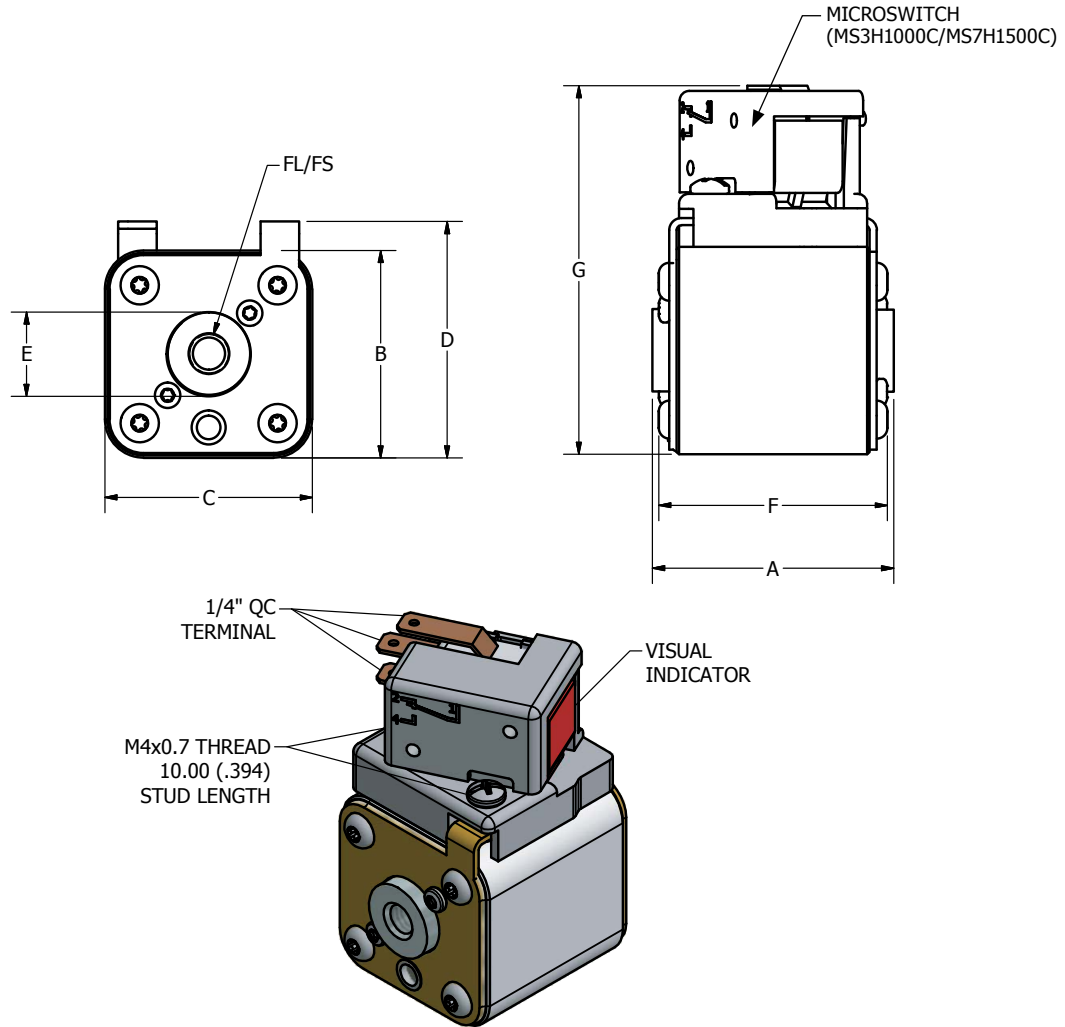
Ordering Information (cont.)

| CASE SIZE | FLUSH END - METRIC THREAD | | | FLUSH END - INCHES THREAD | | | BOX QUANTITY PCS/BOX |
|-----------|---------------------------|----------------------|-------------|---------------------------|----------------------|-------------|----------------------|
| | CATALOG NUMBER | ORDERING PART NUMBER | UPC | CATALOG NUMBER | ORDERING PART NUMBER | UPC | |
| 70 | PSR070FL0050 | PSR070FL0050Z | 07945820536 | PSR070FS0050 | PSR070FS0050Z | 07945820546 | 2 pcs/box |
| | PSR070FL0063 | PSR070FL0063Z | 07945820537 | PSR070FS0063 | PSR070FS0063Z | 07945820547 | 2 pcs/box |
| | PSR070FL0080 | PSR070FL0080Z | 07945820538 | PSR070FS0080 | PSR070FS0080Z | 07945820548 | 2 pcs/box |
| | PSR070FL0100 | PSR070FL0100Z | 07945820539 | PSR070FS0100 | PSR070FS0100Z | 07945820549 | 2 pcs/box |
| | PSR070FL0125 | PSR070FL0125Z | 07945820540 | PSR070FS0125 | PSR070FS0125Z | 07945820550 | 2 pcs/box |
| | PSR070FL0160 | PSR070FL0160Z | 07945820541 | PSR070FS0160 | PSR070FS0160Z | 07945820551 | 2 pcs/box |
| | PSR070FL0200 | PSR070FL0200Z | 07945820542 | PSR070FS0200 | PSR070FS0200Z | 07945820552 | 2 pcs/box |
| | PSR070FL0250 | PSR070FL0250Z | 07945820543 | PSR070FS0250 | PSR070FS0250Z | 07945820553 | 2 pcs/box |
| | PSR070FL0280 | PSR070FL0280Z | 07945820544 | PSR070FS0280 | PSR070FS0280Z | 07945820554 | 2 pcs/box |
| | PSR070FL0315 | PSR070FL0315Z | 07945820545 | PSR070FS0315 | PSR070FS0315Z | 07945820555 | 2 pcs/box |
| | PSR070FL0350 | PSR070FL0350Z | 07945827763 | PSR070FS0350 | PSR070FS0350Z | 07945827784 | 2 pcs/box |
| | PSR070FL0400 | PSR070FL0400Z | 07945827764 | PSR070FS0400 | PSR070FS0400Z | 07945827785 | 2 pcs/box |
| 71 | PSR071FL0160 | PSR071FL0160Z | 07945820556 | PSR071FS0160 | PSR071FS0160Z | 07945820564 | 2 pcs/box |
| | PSR071FL0200 | PSR071FL0200Z | 07945820557 | PSR071FS0200 | PSR071FS0200Z | 07945820565 | 2 pcs/box |
| | PSR071FL0250 | PSR071FL0250Z | 07945820558 | PSR071FS0250 | PSR071FS0250Z | 07945820566 | 2 pcs/box |
| | PSR071FL0280 | PSR071FL0280Z | 07945820573 | PSR071FS0280 | PSR071FS0280Z | 07945820582 | 2 pcs/box |
| | PSR071FL0315 | PSR071FL0315Z | 07945820560 | PSR071FS0315 | PSR071FS0315Z | 07945820568 | 2 pcs/box |
| | PSR071FL0350 | PSR071FL0350Z | 07945820561 | PSR071FS0350 | PSR071FS0350Z | 07945820569 | 2 pcs/box |
| | PSR071FL0400 | PSR071FL0400Z | 07945820562 | PSR071FS0400 | PSR071FS0400Z | 07945820570 | 2 pcs/box |
| | PSR071FL0450 | PSR071FL0450Z | 07945820563 | PSR071FS0450 | PSR071FS0450Z | 07945820571 | 2 pcs/box |
| | PSR071FL0500 | PSR071FL0500Z | 07945827765 | PSR071FS0500 | PSR071FS0500Z | 07945827786 | 2 pcs/box |
| | PSR071FL0550 | PSR071FL0550Z | 07945827766 | PSR071FS0550 | PSR071FS0550Z | 07945827787 | 2 pcs/box |
| | PSR071FL0630 | PSR071FL0630Z | 07945827767 | PSR071FS0630 | PSR071FS0630Z | 07945827788 | 2 pcs/box |
| 72 | PSR072FL0250 | PSR072FL0250Z | 07945820572 | PSR072FS0250 | PSR072FS0250Z | 07945820581 | 2 pcs/box |
| | PSR072FL0280 | PSR072FL0280Z | 07945820573 | PSR072FS0280 | PSR072FS0280Z | 07945820582 | 2 pcs/box |
| | PSR072FL0315 | PSR072FL0315Z | 07945820574 | PSR072FS0315 | PSR072FS0315Z | 07945820583 | 2 pcs/box |
| | PSR072FL0350 | PSR072FL0350Z | 07945820575 | PSR072FS0350 | PSR072FS0350Z | 07945820584 | 2 pcs/box |
| | PSR072FL0400 | PSR072FL0400Z | 07945820576 | PSR072FS0400 | PSR072FS0400Z | 07945820585 | 2 pcs/box |
| | PSR072FL0450 | PSR072FL0450Z | 07945820577 | PSR072FS0450 | PSR072FS0450Z | 07945820586 | 2 pcs/box |
| | PSR072FL0500 | PSR072FL0500Z | 07945820578 | PSR072FS0500 | PSR072FS0500Z | 07945820587 | 2 pcs/box |
| | PSR072FL0550 | PSR072FL0550Z | 07945820579 | PSR072FS0550 | PSR072FS0550Z | 07945820588 | 2 pcs/box |
| | PSR072FL0630 | PSR072FL0630Z | 07945820580 | PSR072FS0630 | PSR072FS0630Z | 07945820589 | 2 pcs/box |
| | PSR072FL0700 | PSR072FL0700Z | 07945827768 | PSR072FS0700 | PSR072FS0700Z | 07945827789 | 2 pcs/box |
| | PSR072FL0800 | PSR072FL0800Z | 07945827769 | PSR072FS0800 | PSR072FS0800Z | 07945827790 | 2 pcs/box |
| | PSR072FL0900 | PSR072FL0900Z | 07945827770 | PSR072FS0900 | PSR072FS0900Z | 07945827793 | 2 pcs/box |
| | PSR072FL1000 | PSR072FL1000Z | 07945827771 | PSR072FS1000 | PSR072FS1000Z | 07945827794 | 2 pcs/box |
| 73 | PSR073FL0315 | PSR073FL0315Z | 07945820590 | PSR073FS0315 | PSR073FS0315Z | 07945820602 | 2 pcs/box |
| | PSR073FL0350 | PSR073FL0350Z | 07945820591 | PSR073FS0350 | PSR073FS0350Z | 07945820603 | 2 pcs/box |
| | PSR073FL0400 | PSR073FL0400Z | 07945820592 | PSR073FS0400 | PSR073FS0400Z | 07945820604 | 2 pcs/box |
| | PSR073FL0450 | PSR073FL0450Z | 07945820593 | PSR073FS0450 | PSR073FS0450Z | 07945820605 | 2 pcs/box |
| | PSR073FL0500 | PSR073FL0500Z | 07945820594 | PSR073FS0500 | PSR073FS0500Z | 07945820606 | 2 pcs/box |
| | PSR073FL0550 | PSR073FL0550Z | 07945820595 | PSR073FS0550 | PSR073FS0550Z | 07945820607 | 2 pcs/box |
| | PSR073FL0630 | PSR073FL0630Z | 07945820596 | PSR073FS0630 | PSR073FS0630Z | 07945820608 | 2 pcs/box |
| | PSR073FL0700 | PSR073FL0700Z | 07945820597 | PSR073FS0700 | PSR073FS0700Z | 07945820609 | 2 pcs/box |
| | PSR073FL0800 | PSR073FL0800Z | 07945827772 | PSR073FS0800 | PSR073FS0800Z | 07945827795 | 2 pcs/box |
| | PSR073FL0900 | PSR073FL0900Z | 07945827773 | PSR073FS0900 | PSR073FS0900Z | 07945827796 | 2 pcs/box |
| | PSR073FL1000 | PSR073FL1000Z | 07945827774 | PSR073FS1000 | PSR073FS1000Z | 07945827797 | 2 pcs/box |
| | PSR073FL1100 | PSR073FL1100Z | 07945827775 | PSR073FS1100 | PSR073FS1100Z | 07945827798 | 2 pcs/box |
| | PSR073FL1250 | PSR073FL1250Z | 07945827776 | PSR073FS1250 | PSR073FS1250Z | 07945827799 | 2 pcs/box |
| | PSR073FL1400 | PSR073FL1400Z | 07945827777 | PSR073FS1400 | PSR073FS1400Z | 07945827800 | 2 pcs/box |

POWR-SPEED® Fuses

PSR SERIES HIGH-SPEED SQUARE BODY

Dimensions



DIMENSIONS IN MM (IN)

| CASE SIZE | A | B | C | D | E | F | G | FL METRIC THREAD | FS INCHES THREAD | RECOMMENDED TORQUE |
|-----------|-------------|-------------|-------------|-------------|------------|-------------|--------------|------------------|------------------|--------------------|
| 30 | 50.0 (1.97) | 43.0 (1.69) | 43.0 (1.69) | 49.0 (1.93) | 17.0 (0.7) | 47.7 (1.88) | 77.9 (3.07) | M8 x 1.25 | 5/16"–18 UNC 2B | 13–20 Nm |
| 31 | 50.0 (1.97) | 51.5 (2.03) | 51.5 (2.03) | 57.5 (2.26) | 20.0 (0.8) | 48.5 (1.91) | 86.4 (3.40) | M8 x 1.25 | 5/16"–18 UNC 2B | 13–20 Nm |
| 32 | 51.0 (2.01) | 60.0 (2.36) | 60.0 (2.36) | 66.0 (2.60) | 23.0 (0.9) | 49.2 (1.94) | 94.9 (3.74) | M10 x 1.5 | 3/8"–16 UNC 2B | 26–35 Nm |
| 33 | 51.0 (2.01) | 73.5 (2.89) | 73.5 (2.89) | 79.5 (3.13) | 30.0 (1.2) | 49.5 (1.95) | 108.4 (4.27) | M12 x 1.75 | 1/2"–13 UNC 2B | 45–55 Nm |
| 70 | 74.0 (2.91) | 43.0 (1.69) | 43.0 (1.69) | 49.0 (1.93) | 17.0 (0.7) | 71.7 (2.82) | 77.9 (3.07) | M8 x 1.25 | 5/16"–18 UNC 2B | 13–20 Nm |
| 71 | 74.0 (2.91) | 51.5 (2.03) | 51.5 (2.03) | 57.5 (2.26) | 20.0 (0.8) | 72.5 (2.85) | 86.4 (3.40) | M8 x 1.25 | 5/16"–18 UNC 2B | 13–20 Nm |
| 72 | 75.0 (2.95) | 60.0 (2.36) | 60.0 (2.36) | 66.0 (2.60) | 23.0 (0.9) | 73.2 (2.88) | 94.9 (3.736) | M10 x 1.5 | 3/8"–16 UNC 2B | 26–35 Nm |
| 73 | 75.0 (2.95) | 73.5 (2.89) | 73.5 (2.89) | 79.5 (3.13) | 30.0 (1.2) | 73.5 (2.89) | 108.4 (4.27) | M12 x 1.75 | 1/2"–13 UNC 2B | 45–55 Nm |

POWR-SPEED® Fuses

PSR SERIES HIGH-SPEED SQUARE BODY BOLTED BLADE

Semiconductor Fuses • Bolted Blade • 40 A–2250 A



Description

Littelfuse PSR series high-speed square body fuses are specially designed for protection of power semiconductor devices such as diodes, triacs, IGBTs, SCRs, MOSFETs, and other solid-state devices that are typically designed into power conversion and power conditioning equipment. Variable frequency drives, inverters, UPS, rectifiers, and soft-starters are examples of typical equipment designed with sensitive power semiconductor devices that cannot withstand any line surge or overcurrent conditions and require high-speed protection.

The PSR series with bolted blades is designed and tested to IEC 60269-4.

Littelfuse POWR-SPEED® PSR series products offer optimized circuit protection at the extremely fast speed required to protect modern day power conversion devices. Available in bolted blade style termination (typical in North American market) with visual blown fuse indication standard on all fuses and optional micro-switch for external indication.

Features/Benefits

- Best in class dc performance
- Extremely current limiting
- Superior cycling capability
- Visual and optional microswitch fuse blown indication
- Low watt-loss design
- Compliance with US and Canadian requirements
- Fast-acting Class aR performance

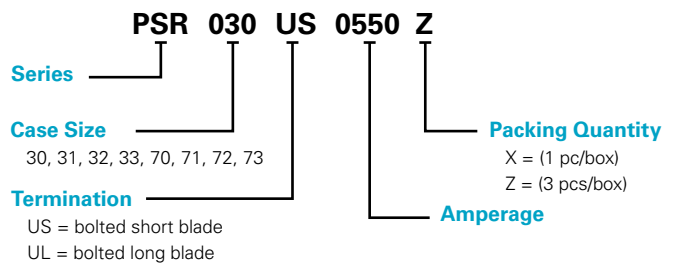
Applications

- Power conversion devices (UPS, inverter, rectifiers, drives)
- Dc systems (dc common bus, dc injection braking)
- Battery protection application (energy storage systems)
- Electric vehicle charging stations
- Heaters and power supplies

Specifications

| | |
|------------------------------|---|
| Voltage Rating | Ac: 450 V–1300 V Dc: 450 V–1000 V |
| Amperage Rating | 40 A–2250 A |
| Interrupting Rating | Ac: 100 kA–200 kA Dc: 150 kA |
| Time Constant | 10 ms at IR |
| Microswitch | Yes |
| Mounting | Bolted blade style |
| Material | Body: ceramic Contacts: plated copper |
| Approvals | cURus Recognized (File: E71611) |
| Applicable Standards | UL 248-13 IEC 60269-4 (Class aR) |
| Environmental | RoHS Compliant, REACH |
| Operating Temperature | -55 °C to +125 °C |
| Storage Temperature | Up to +35 °C with relative humidity <65 % |
| Country of Origin | Mexico |

Ordering Part Number



Catalog Number

| SERIES | CASE SIZE | TERMINATION | AMPERAGE | CATALOG NUMBER | ORDERING PART NUMBER |
|--------|-----------|-------------|----------|----------------|----------------------|
| PSR | 030 | US | 0550 | PSR030US0550 | PSR030US0550Z |

Recommended Accessories

Microswitch: MS3H1000C (Case Size 30 to 33)
MS7H1500C (Case Size 70 to 73)

Web Resources

Download technical documents: Littelfuse.com/PSR
Note: high-speed fuses are designed for fixed installations. They are not intended for use in moving vehicle applications.

POWR-SPEED® Fuses

PSR SERIES HIGH-SPEED SQUARE BODY BOLTED BLADE

Electrical Characteristics

| CASE SIZE | CATALOG NUMBER | | AMPERE RATING (A) | VOLTAGE RATING (V) | | | INTERRUPTING RATING | | MELTING (PRE-ARC) I ² T (A ² S) | TOTAL CLEARING I ² T (A ² S) AT RATED VOLTAGE | | WATT LOSS AT 100 % RATED CURRENT (W) | AGENCY CERTIFICATION |
|--------------|-------------------------|------------------------|-------------------|--------------------|------|--------|---------------------|--------|---|---|---------|--------------------------------------|----------------------|
| | BOLTED SHORT BLADE (US) | BOLTED LONG BLADE (UL) | | AC | | DC | AC | DC | | AC | DC | | |
| | | | | IEC | UL | | | | | | | | |
| 30 | PSR030US0040 | PSR030UL0040 | 40 | 690 | 700 | 600 | 200 kA | 150 kA | 76 | 280 | 260 | 13 | • |
| | PSR030US0050 | PSR030UL0050 | 50 | 690 | 700 | 600 | 200 kA | 150 kA | 110 | 598 | 384 | 16 | • |
| | PSR030US0063 | PSR030UL0063 | 63 | 690 | 700 | 600 | 200 kA | 150 kA | 176 | 1023 | 640 | 20 | • |
| | PSR030US0080 | PSR030UL0080 | 80 | 690 | 700 | 600 | 200 kA | 150 kA | 304 | 1728 | 1252 | 24 | • |
| | PSR030US0100 | PSR030UL0100 | 100 | 690 | 700 | 600 | 200 kA | 150 kA | 437 | 2835 | 1575 | 28 | • |
| | PSR030US0125 | PSR030UL0125 | 125 | 690 | 700 | 600 | 200 kA | 150 kA | 707 | 4684 | 2783 | 37 | • |
| | PSR030US0160 | PSR030UL0160 | 160 | 690 | 700 | 600 | 200 kA | 150 kA | 1359 | 9114 | 5507 | 40 | • |
| | PSR030US0200 | PSR030UL0200 | 200 | 690 | 700 | 600 | 200 kA | 150 kA | 3012 | 15169 | 14700 | 40 | • |
| | PSR030US0250 | PSR030UL0250 | 250 | 690 | 700 | 600 | 200 kA | 150 kA | 4668 | 29952 | 20833 | 52 | • |
| | PSR030US0315 | PSR030UL0315 | 315 | 690 | 700 | 600 | 200 kA | 150 kA | 7131 | 61830 | 31600 | 64 | • |
| | PSR030US0350 | PSR030UL0350 | 350 | 690 | 700 | 600 | 200 kA | 150 kA | 12007 | 85320 | 49273 | 66 | • |
| | PSR030US0400 | PSR030UL0400 | 400 | 690 | 700 | 600 | 200 kA | 150 kA | 16209 | 114750 | 63367 | 78 | • |
| | PSR030US0450 | PSR030UL0450 | 450 | 690 | 700 | 600 | 200 kA | 150 kA | 23133 | 160110 | 93533 | 80 | • |
| | PSR030US0500 | PSR030UL0500 | 500 | 690 | 700 | 600 | 200 kA | 150 kA | 31429 | 225180 | 137333 | 84 | • |
| PSR030US0550 | PSR030UL0550 | 550 | 690 | 700 | 600 | 200 kA | 150 kA | 44323 | 268920 | 145400 | 85 | • | |
| PSR030US0630 | PSR030UL0630 | 630 | 690 | 700 | 550 | 200 kA | 150 kA | 57404 | 480010 | 267800 | 91 | • | |
| 31 | PSR031US0200 | PSR031UL0200 | 200 | 690 | 700 | 600 | 200 kA | 150 kA | 1965 | 17334 | 16188 | 49 | • |
| | PSR031US0250 | PSR031UL0250 | 250 | 690 | 700 | 600 | 200 kA | 150 kA | 3789 | 35343 | 21080 | 52 | • |
| | PSR031US0315 | PSR031UL0315 | 315 | 690 | 700 | 600 | 200 kA | 150 kA | 6862 | 59130 | 30694 | 63 | • |
| | PSR031US0350 | PSR031UL0350 | 350 | 690 | 700 | 600 | 200 kA | 150 kA | 9523 | 76140 | 40996 | 67 | • |
| | PSR031US0400 | PSR031UL0400 | 400 | 690 | 700 | 600 | 200 kA | 150 kA | 14770 | 124335 | 64359 | 70 | • |
| | PSR031US0450 | PSR031UL0450 | 450 | 690 | 700 | 600 | 200 kA | 150 kA | 22457 | 178200 | 97444 | 70 | • |
| | PSR031US0500 | PSR031UL0500 | 500 | 690 | 700 | 600 | 200 kA | 150 kA | 29751 | 251505 | 125935 | 74 | • |
| | PSR031US0550 | PSR031UL0550 | 550 | 690 | 700 | 600 | 200 kA | 150 kA | 42056 | 289170 | 171845 | 86 | • |
| | PSR031US0630 | PSR031UL0630 | 630 | 690 | 700 | 600 | 200 kA | 150 kA | 73513 | 507465 | 276315 | 87 | • |
| | PSR031US0700 | PSR031UL0700 | 700 | 690 | 700 | 600 | 200 kA | 150 kA | 98187 | 601425 | 337260 | 93 | • |
| PSR031US0800 | PSR031UL0800 | 800 | 690 | 700 | 600 | 200 kA | 150 kA | 137208 | 848880 | 502815 | 107 | • | |
| PSR031US0900 | PSR031UL0900 | 900 | 550 | 600 | 550 | 200 kA | 150 kA | 155163 | 945100 | 631820 | 126 | • | |
| 32 | PSR032US0400 | PSR032UL0400 | 400 | 690 | 700 | 600 | 200 kA | 150 kA | 11104 | 79650 | 44533 | 87 | • |
| | PSR032US0450 | PSR032UL0450 | 450 | 690 | 700 | 600 | 200 kA | 150 kA | 15535 | 116100 | 65463 | 88 | • |
| | PSR032US0500 | PSR032UL0500 | 500 | 690 | 700 | 600 | 200 kA | 150 kA | 21573 | 161460 | 88277 | 94 | • |
| | PSR032US0550 | PSR032UL0550 | 550 | 690 | 700 | 600 | 200 kA | 150 kA | 26327 | 177660 | 107960 | 106 | • |
| | PSR032US0630 | PSR032UL0630 | 630 | 690 | 700 | 600 | 200 kA | 150 kA | 34790 | 234900 | 156963 | 114 | • |
| | PSR032US0700 | PSR032UL0700 | 700 | 690 | 700 | 600 | 200 kA | 150 kA | 51191 | 291870 | 209287 | 127 | • |
| | PSR032US0800 | PSR032UL0800 | 800 | 690 | 700 | 600 | 200 kA | 150 kA | 60125 | 472770 | 249000 | 152 | • |
| | PSR032US0900 | PSR032UL0900 | 900 | 690 | 700 | 600 | 200 kA | 150 kA | 107785 | 764100 | 404000 | 145 | • |
| | PSR032US1000 | PSR032UL1000 | 1000 | 690 | 700 | 600 | 200 kA | 150 kA | 190102 | 933120 | 672333 | 149 | • |
| | PSR032US1100 | PSR032UL1100 | 1100 | 690 | 700 | 600 | 200 kA | 150 kA | 225379 | 1247400 | 744000 | 161 | • |
| | PSR032US1250 | PSR032UL1250 | 1250 | 550 | 500* | 450* | 200 kA | 150 kA | 336661 | 1114994 | 1197000 | 166 | • |
| | PSR032US1400 | PSR032UL1400 | 1400 | 450 | 500 | 450 | 200 kA | 150 kA | 551749 | 1611639 | 1865400 | 184 | • |
| | PSR032US1500 | PSR032UL1500 | 1500 | 450 | 500 | 450 | 200 kA | 150 kA | 673360 | 2045907 | 1735500 | 192 | • |
| | 33 | PSR033US0450 | PSR033UL0450 | 450 | 690 | 700 | 600 | 200 kA | 150 kA | 13600 | 106380 | 58947 | 107 |
| PSR033US0500 | | PSR033UL0500 | 500 | 690 | 700 | 600 | 200 kA | 150 kA | 16434 | 140400 | 77846 | 107 | • |
| PSR033US0550 | | PSR033UL0550 | 550 | 690 | 700 | 600 | 200 kA | 150 kA | 23314 | 187650 | 100461 | 111 | • |
| PSR033US0630 | | PSR033UL0630 | 630 | 690 | 700 | 600 | 200 kA | 150 kA | 38727 | 285930 | 142437 | 120 | • |
| PSR033US0700 | | PSR033UL0700 | 700 | 690 | 700 | 600 | 200 kA | 150 kA | 56763 | 392580 | 209863 | 116 | • |
| PSR033US0800 | | PSR033UL0800 | 800 | 690 | 700 | 600 | 200 kA | 150 kA | 84691 | 575505 | 348500 | 122 | • |
| PSR033US0900 | | PSR033UL0900 | 900 | 690 | 700 | 600 | 200 kA | 150 kA | 122619 | 740340 | 451177 | 138 | • |
| PSR033US1000 | | PSR033UL1000 | 1000 | 690 | 700 | 600 | 200 kA | 150 kA | 222350 | 1170450 | 787750 | 138 | • |
| PSR033US1100 | | PSR033UL1100 | 1100 | 690 | 700 | 600 | 200 kA | 150 kA | 310824 | 1568700 | 821400 | 138 | • |
| PSR033US1250 | | PSR033UL1250 | 1250 | 690 | 700 | 500 | 200 kA | 150 kA | 476902 | 2403000 | 1674333 | 145 | • |
| PSR033US1400 | | PSR033UL1400 | 1400 | 690 | 700 | 500 | 200 kA | 150 kA | 583552 | 2920050 | 1979750 | 173 | • |
| PSR033US1500 | | PSR033UL1500 | 1500 | 600 | 650 | 500 | 200 kA | 150 kA | 674538 | 2433200 | 1996733 | 182 | • |
| PSR033US1600 | | PSR033UL1600 | 1600 | 600 | 650 | 500 | 200 kA | 150 kA | 779948 | 2942800 | 2301633 | 208 | • |
| PSR033US1800 | | PSR033UL1800 | 1800 | 600 | 650 | 500 | 200 kA | 150 kA | 952196 | 3785040 | 2724180 | 260 | • |
| PSR033US2000 | | PSR033UL2000 | 2000 | 550 | 600 | 480 | 200 kA | 150 kA | 1234315 | 4131600 | 3755180 | 264 | • |
| PSR033US2250 | | PSR033UL2250 | 2250 | 500 | 550 | 450 | 200 kA | 150 kA | 1236000 | 4459651 | 3859500 | 349 | • |

* PSR032 1250 A: 600 V Ac/550 V Dc

POWR-SPEED® Fuses

PSR SERIES HIGH-SPEED SQUARE BODY BOLTED BLADE

Electrical Characteristics (cont.)

| CASE SIZE | CATALOG NUMBER | AMPERE RATING (A) | VOLTAGE RATING (V) | | | INTERRUPTING RATING | | MELTING (PRE-ARC) I ² T (A ² S) | TOTAL CLEARING I ² T (A ² S) AT RATED VOLTAGE | | WATT LOSS AT 100 % RATED CURRENT (W) | AGENCY CERTIFICATION |
|--------------|----------------|-------------------|--------------------|-------|--------|---------------------|--------|---|---|---------|--------------------------------------|----------------------|
| | | | AC | | DC | AC | DC | | AC | DC | | |
| | | | IEC | UL | | | | | | | | |
| 70 | PSR070UL0050 | 50 | 1250 | 1300 | 1000 | 100 kA | 150 kA | 177 | 2050 | 400 | 21 | • |
| | PSR070UL0063 | 63 | 1250 | 1300 | 1000 | 100 kA | 150 kA | 273 | 3399 | 900 | 24 | • |
| | PSR070UL0080 | 80 | 1250 | 1300 | 1000 | 100 kA | 150 kA | 583 | 6732 | 2200 | 25 | • |
| | PSR070UL0100 | 100 | 1250 | 1300 | 1000 | 100 kA | 150 kA | 974 | 10996 | 3750 | 30 | • |
| | PSR070UL0125 | 125 | 1250 | 1300 | 1000 | 100 kA | 150 kA | 1352 | 13011 | 5150 | 44 | • |
| | PSR070UL0160 | 160 | 1250 | 1300 | 1000 | 100 kA | 150 kA | 2377 | 25662 | 8950 | 53 | • |
| | PSR070UL0200 | 200 | 1250 | 1300 | 1000 | 100 kA | 150 kA | 4177 | 39087 | 17267 | 62 | • |
| | PSR070UL0250 | 250 | 1250 | 1300 | 1000 | 100 kA | 150 kA | 8629 | 89790 | 36750 | 73 | • |
| | PSR070UL0280 | 280 | 1250 | 1300 | 1000 | 100 kA | 150 kA | 11844 | 113201 | 46750 | 77 | • |
| | PSR070UL0315 | 315 | 1250 | 1300 | 1000 | 100 kA | 150 kA | 18162 | 142051 | 66833 | 80 | • |
| PSR070UL0350 | 350 | 1250 | 1200* | 900* | 100 kA | 150 kA | 22963 | 215230 | 95410 | 76 | • | |
| PSR070UL0400 | 400 | 1100 | 1200 | 900 | 100 kA | 150 kA | 37103 | 283480 | 154320 | 78 | • | |
| 71 | PSR071UL0160 | 160 | 1250 | 1300 | 1000 | 100 kA | 150 kA | 2756 | 24600 | 8800 | 45 | • |
| | PSR071UL0200 | 200 | 1250 | 1300 | 1000 | 100 kA | 150 kA | 4918 | 50307 | 19050 | 52 | • |
| | PSR071UL0250 | 250 | 1250 | 1300 | 1000 | 100 kA | 150 kA | 10592 | 104427 | 43100 | 55 | • |
| | PSR071UL0280 | 280 | 1250 | 1300 | 1000 | 100 kA | 150 kA | 13763 | 131897 | 54150 | 58 | • |
| | PSR071UL0315 | 315 | 1250 | 1300 | 1000 | 100 kA | 150 kA | 20882 | 200244 | 67450 | 59 | • |
| | PSR071UL0350 | 350 | 1250 | 1300 | 1000 | 100 kA | 150 kA | 23301 | 225500 | 102500 | 70 | • |
| | PSR071UL0400 | 400 | 1250 | 1300 | 1000 | 100 kA | 150 kA | 43211 | 374986 | 185000 | 76 | • |
| | PSR071UL0450 | 450 | 1250 | 1300 | 1000 | 100 kA | 150 kA | 55915 | 452394 | 241333 | 88 | • |
| | PSR071UL0500 | 500 | 1100 | 1200 | 900 | 100 kA | 150 kA | 75315 | 468845 | 253960 | 93 | • |
| | PSR071UL0550 | 550 | 1100 | 1200 | 900 | 100 kA | 150 kA | 87328 | 693507 | 332600 | 90 | • |
| PSR071UL0630 | 630 | 1000 | 1100 | 900 | 100 kA | 150 kA | 131240 | 790862 | 426550 | 103 | • | |
| 72 | PSR072UL0250 | 250 | 1250 | 1300 | 1000 | 100 kA | 150 kA | 7737 | 72789 | 28567 | 64 | • |
| | PSR072UL0280 | 280 | 1250 | 1300 | 1000 | 100 kA | 150 kA | 10915 | 124538 | 46897 | 62 | • |
| | PSR072UL0315 | 315 | 1250 | 1300 | 1000 | 100 kA | 150 kA | 16187 | 145140 | 58867 | 69 | • |
| | PSR072UL0350 | 350 | 1250 | 1300 | 1000 | 100 kA | 150 kA | 18727 | 160447 | 69633 | 81 | • |
| | PSR072UL0400 | 400 | 1250 | 1300 | 1000 | 100 kA | 150 kA | 27112 | 243540 | 108000 | 93 | • |
| | PSR072UL0450 | 450 | 1250 | 1300 | 1000 | 100 kA | 150 kA | 35927 | 406413 | 159133 | 107 | • |
| | PSR072UL0500 | 500 | 1250 | 1300 | 1000 | 100 kA | 150 kA | 50398 | 425375 | 216333 | 115 | • |
| | PSR072UL0550 | 550 | 1250 | 1300 | 1000 | 100 kA | 150 kA | 73858 | 539833 | 271333 | 115 | • |
| | PSR072UL0630 | 630 | 1250 | 1300 | 1000 | 100 kA | 150 kA | 126126 | 942180 | 436000 | 119 | • |
| | PSR072UL0700 | 700 | 1100 | 1200 | 900** | 100 kA | 150 kA | 228761 | 1123694 | 715180 | 89 | • |
| | PSR072UL0800 | 800 | 1100 | 1200 | 900** | 100 kA | 150 kA | 230695 | 1432388 | 911650 | 129 | • |
| | PSR072UL0900 | 900 | 1000 | 900* | 900** | 100 kA | 150 kA | 376641 | 1309993 | 1030400 | 131 | • |
| PSR072UL1000 | 1000 | 850 | 900 | 800** | 100 kA | 150 kA | 455955 | 1772548 | 1361500 | 156 | • | |
| 73 | PSR073UL0315 | 315 | 1250 | 1300 | 1000 | 100 kA | 150 kA | 10245 | 106600 | 38650 | 100 | • |
| | PSR073UL0350 | 350 | 1250 | 1300 | 1000 | 100 kA | 150 kA | 13586 | 159627 | 57467 | 100 | • |
| | PSR073UL0400 | 400 | 1250 | 1300 | 1000 | 100 kA | 150 kA | 19797 | 211273 | 86800 | 124 | • |
| | PSR073UL0450 | 450 | 1250 | 1300 | 1000 | 100 kA | 150 kA | 29834 | 279073 | 114333 | 122 | • |
| | PSR073UL0500 | 500 | 1250 | 1300 | 1000 | 100 kA | 150 kA | 42751 | 416437 | 184500 | 121 | • |
| | PSR073UL0550 | 550 | 1250 | 1300 | 1000 | 100 kA | 150 kA | 55513 | 491713 | 224500 | 130 | • |
| | PSR073UL0630 | 630 | 1250 | 1300 | 1000 | 100 kA | 150 kA | 94649 | 804338 | 377500 | 136 | • |
| | PSR073UL0700 | 700 | 1250 | 1300 | 1000 | 100 kA | 150 kA | 158097 | 1170960 | 575667 | 135 | • |
| | PSR073UL0800 | 800 | 1250 | 1300 | 1000** | 100 kA | 150 kA | 234943 | 1769880 | 733460 | 128 | • |
| | PSR073UL0900 | 900 | 950 | 1050 | 800** | 100 kA | 150 kA | 317743 | 2280547 | 901779 | 156 | • |
| | PSR073UL1000 | 1000 | 950 | 1050 | 800** | 100 kA | 150 kA | 476221 | 3910801 | 1546418 | 143 | • |
| | PSR073UL1100 | 1100 | 950 | 1050 | 800** | 100 kA | 150 kA | 570870 | 2736600 | 1699000 | 165 | • |
| | PSR073UL1250 | 1250 | 900 | 1000 | - | 100 kA | - | 993924 | 3091160 | - | 197 | • |
| | PSR073UL1400 | 1400 | 900 | 1000 | - | 100 kA | - | 1168091 | 3627820 | - | 249 | • |

* PSR070 350 A: 1300 V Ac/1000 V Dc

PSR072 900 A: 1100 V Ac

** No UL certification for Dc voltage

POWR-SPEED® Fuses

PSR SERIES HIGH-SPEED SQUARE BODY BOLTED BLADE

Ordering Information

| CASE SIZE | BOLTED SHORT BLADE (US) | | | BOLTED LONG BLADE (UL) | | | BOX QUANTITY |
|--------------|-------------------------|----------------------|--------------|------------------------|----------------------|-------------|--------------|
| | CATALOG NUMBER | ORDERING PART NUMBER | UPC | CATALOG NUMBER | ORDERING PART NUMBER | UPC | |
| 30 | PSR030US0040 | PSR030US0040Z | 07945825195 | PSR030UL0040 | PSR030UL0040Z | 07945825246 | 3 pcs/box |
| | PSR030US0050 | PSR030US0050Z | 07945825196 | PSR030UL0050 | PSR030UL0050Z | 07945825247 | 3 pcs/box |
| | PSR030US0063 | PSR030US0063Z | 07945825197 | PSR030UL0063 | PSR030UL0063Z | 07945825248 | 3 pcs/box |
| | PSR030US0080 | PSR030US0080Z | 07945825198 | PSR030UL0080 | PSR030UL0080Z | 07945825249 | 3 pcs/box |
| | PSR030US0100 | PSR030US0100Z | 07945825199 | PSR030UL0100 | PSR030UL0100Z | 07945825250 | 3 pcs/box |
| | PSR030US0125 | PSR030US0125Z | 07945825200 | PSR030UL0125 | PSR030UL0125Z | 07945825251 | 3 pcs/box |
| | PSR030US0160 | PSR030US0160Z | 07945825201 | PSR030UL0160 | PSR030UL0160Z | 07945825252 | 3 pcs/box |
| | PSR030US0200 | PSR030US0200Z | 07945825202 | PSR030UL0200 | PSR030UL0200Z | 07945825253 | 3 pcs/box |
| | PSR030US0250 | PSR030US0250Z | 07945825203 | PSR030UL0250 | PSR030UL0250Z | 07945825254 | 3 pcs/box |
| | PSR030US0315 | PSR030US0315Z | 07945825204 | PSR030UL0315 | PSR030UL0315Z | 07945825255 | 3 pcs/box |
| | PSR030US0350 | PSR030US0350Z | 07945825205 | PSR030UL0350 | PSR030UL0350Z | 07945825256 | 3 pcs/box |
| | PSR030US0400 | PSR030US0400Z | 07945825206 | PSR030UL0400 | PSR030UL0400Z | 07945825257 | 3 pcs/box |
| | PSR030US0450 | PSR030US0450Z | 07945825207 | PSR030UL0450 | PSR030UL0450Z | 07945825258 | 3 pcs/box |
| | PSR030US0500 | PSR030US0500Z | 07945825208 | PSR030UL0500 | PSR030UL0500Z | 07945825259 | 3 pcs/box |
| PSR030US0550 | PSR030US0550Z | 07945825209 | PSR030UL0550 | PSR030UL0550Z | 07945825260 | 3 pcs/box | |
| PSR030US0630 | PSR030US0630Z | 07945828549 | PSR030UL0630 | PSR030UL0630Z | 07945827828 | 3 pcs/box | |
| 31 | PSR031US0200 | PSR031US0200Z | 07945825210 | PSR031UL0200 | PSR031UL0200Z | 07945825261 | 3 pcs/box |
| | PSR031US0250 | PSR031US0250Z | 07945825211 | PSR031UL0250 | PSR031UL0250Z | 07945825262 | 3 pcs/box |
| | PSR031US0315 | PSR031US0315Z | 07945825212 | PSR031UL0315 | PSR031UL0315Z | 07945825263 | 3 pcs/box |
| | PSR031US0350 | PSR031US0350Z | 07945825213 | PSR031UL0350 | PSR031UL0350Z | 07945825264 | 3 pcs/box |
| | PSR031US0400 | PSR031US0400Z | 07945825214 | PSR031UL0400 | PSR031UL0400Z | 07945825265 | 3 pcs/box |
| | PSR031US0450 | PSR031US0450Z | 07945825215 | PSR031UL0450 | PSR031UL0450Z | 07945825266 | 3 pcs/box |
| | PSR031US0500 | PSR031US0500Z | 07945825216 | PSR031UL0500 | PSR031UL0500Z | 07945825267 | 3 pcs/box |
| | PSR031US0550 | PSR031US0550Z | 07945825217 | PSR031UL0550 | PSR031UL0550Z | 07945825268 | 3 pcs/box |
| | PSR031US0630 | PSR031US0630Z | 07945825218 | PSR031UL0630 | PSR031UL0630Z | 07945825269 | 3 pcs/box |
| | PSR031US0700 | PSR031US0700Z | 07945825219 | PSR031UL0700 | PSR031UL0700Z | 07945825270 | 3 pcs/box |
| PSR031US0800 | PSR031US0800Z | 07945825220 | PSR031UL0800 | PSR031UL0800Z | 07945825271 | 3 pcs/box | |
| PSR031US0900 | PSR031US0900Z | 07945828550 | PSR031UL0900 | PSR031UL0900Z | 07945827829 | 3 pcs/box | |
| 32 | PSR032US0400 | PSR032US0400X | 07945825221 | PSR032UL0400 | PSR032UL0400X | 07945825272 | 1 pc/box |
| | PSR032US0450 | PSR032US0450X | 07945825222 | PSR032UL0450 | PSR032UL0450X | 07945825273 | 1 pc/box |
| | PSR032US0500 | PSR032US0500X | 07945825223 | PSR032UL0500 | PSR032UL0500X | 07945825274 | 1 pc/box |
| | PSR032US0550 | PSR032US0550X | 07945825224 | PSR032UL0550 | PSR032UL0550X | 07945825275 | 1 pc/box |
| | PSR032US0630 | PSR032US0630X | 07945825225 | PSR032UL0630 | PSR032UL0630X | 07945825276 | 1 pc/box |
| | PSR032US0700 | PSR032US0700X | 07945825226 | PSR032UL0700 | PSR032UL0700X | 07945825277 | 1 pc/box |
| | PSR032US0800 | PSR032US0800X | 07945825227 | PSR032UL0800 | PSR032UL0800X | 07945825278 | 1 pc/box |
| | PSR032US0900 | PSR032US0900X | 07945825228 | PSR032UL0900 | PSR032UL0900X | 07945825279 | 1 pc/box |
| | PSR032US1000 | PSR032US1000X | 07945825229 | PSR032UL1000 | PSR032UL1000X | 07945825280 | 1 pc/box |
| | PSR032US1100 | PSR032US1100X | 07945825230 | PSR032UL1100 | PSR032UL1100X | 07945825281 | 1 pc/box |
| | PSR032US1250 | PSR032US1250X | 07945828551 | PSR032UL1250 | PSR032UL1250X | 07945827830 | 1 pc/box |
| | PSR032US1400 | PSR032US1400X | 07945828552 | PSR032UL1400 | PSR032UL1400X | 07945828531 | 1 pc/box |
| PSR032US1500 | PSR032US1500X | 07945828553 | PSR032UL1500 | PSR032UL1500X | 07945828532 | 1 pc/box | |
| 33 | PSR033US0450 | PSR033US0450X | 07945825231 | PSR033UL0450 | PSR033UL0450X | 07945825282 | 1 pc/box |
| | PSR033US0500 | PSR033US0500X | 07945825232 | PSR033UL0500 | PSR033UL0500X | 07945825283 | 1 pc/box |
| | PSR033US0550 | PSR033US0550X | 07945825233 | PSR033UL0550 | PSR033UL0550X | 07945825284 | 1 pc/box |
| | PSR033US0630 | PSR033US0630X | 07945825234 | PSR033UL0630 | PSR033UL0630X | 07945825285 | 1 pc/box |
| | PSR033US0700 | PSR033US0700X | 07945825235 | PSR033UL0700 | PSR033UL0700X | 07945825286 | 1 pc/box |
| | PSR033US0800 | PSR033US0800X | 07945825236 | PSR033UL0800 | PSR033UL0800X | 07945825287 | 1 pc/box |
| | PSR033US0900 | PSR033US0900X | 07945825237 | PSR033UL0900 | PSR033UL0900X | 07945825288 | 1 pc/box |
| | PSR033US1000 | PSR033US1000X | 07945825238 | PSR033UL1000 | PSR033UL1000X | 07945825289 | 1 pc/box |
| | PSR033US1100 | PSR033US1100X | 07945825239 | PSR033UL1100 | PSR033UL1100X | 07945825290 | 1 pc/box |
| | PSR033US1250 | PSR033US1250X | 07945825240 | PSR033UL1250 | PSR033UL1250X | 07945825291 | 1 pc/box |
| | PSR033US1400 | PSR033US1400X | 07945825241 | PSR033UL1400 | PSR033UL1400X | 07945825292 | 1 pc/box |
| | PSR033US1500 | PSR033US1500X | 07945825242 | PSR033UL1500 | PSR033UL1500X | 07945825293 | 1 pc/box |
| | PSR033US1600 | PSR033US1600X | 07945825243 | PSR033UL1600 | PSR033UL1600X | 07945825294 | 1 pc/box |
| | PSR033US1800 | PSR033US1800X | 07945825244 | PSR033UL1800 | PSR033UL1800X | 07945825295 | 1 pc/box |
| | PSR033US2000 | PSR033US2000X | 07945825245 | PSR033UL2000 | PSR033UL2000X | 07945825296 | 1 pc/box |
| | PSR033US2250 | PSR033US2250X | 07945828554 | PSR033UL2250 | PSR033UL2250X | 07945828533 | 1 pc/box |

POWR-SPEED® Fuses

PSR SERIES HIGH-SPEED SQUARE BODY BOLTED BLADE

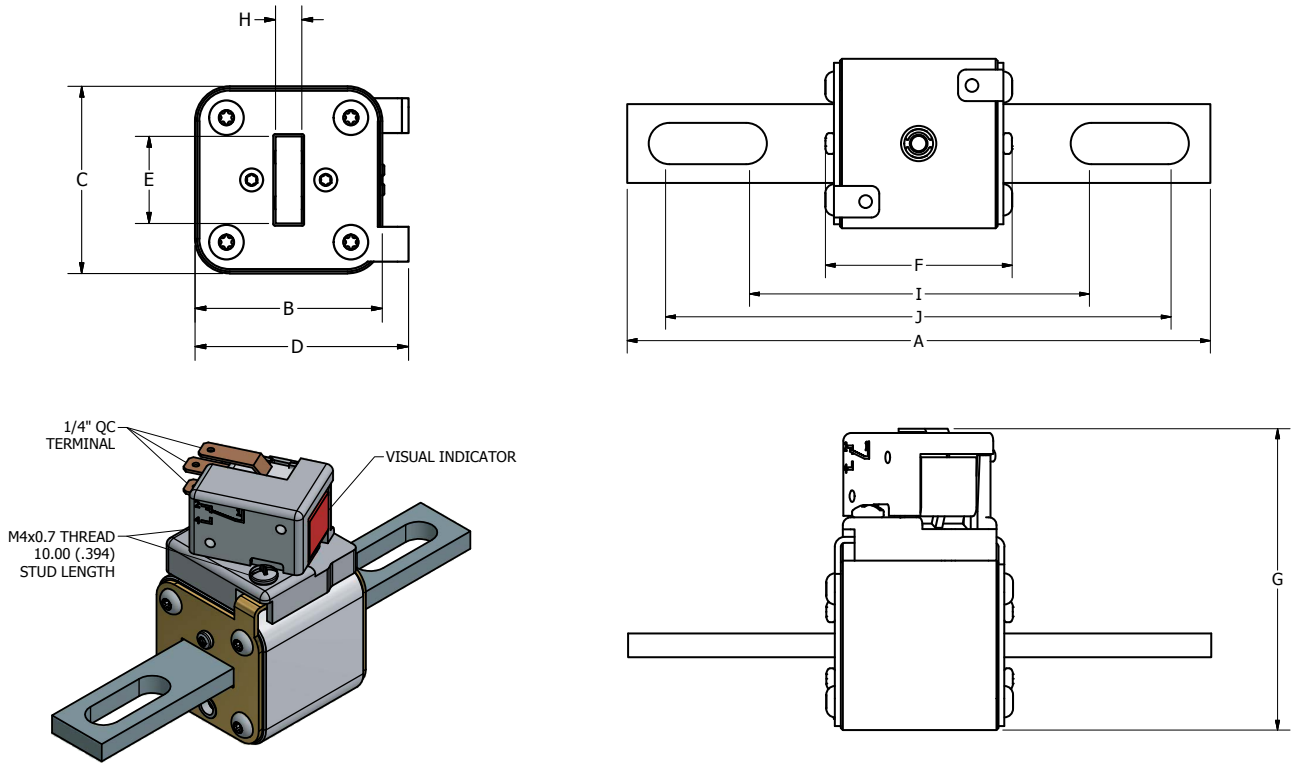
Ordering Information (cont.)

| CASE SIZE | BOLTED LONG BLADE (UL) | | | BOX QUANTITY |
|-----------|------------------------|----------------------|-------------|--------------|
| | CATALOG NUMBER | ORDERING PART NUMBER | UPC | |
| 70 | PSR070UL0050 | PSR070UL0050Z | 07945825297 | 3 pcs/box |
| | PSR070UL0063 | PSR070UL0063Z | 07945825298 | 3 pcs/box |
| | PSR070UL0080 | PSR070UL0080Z | 07945825299 | 3 pcs/box |
| | PSR070UL0100 | PSR070UL0100Z | 07945825300 | 3 pcs/box |
| | PSR070UL0125 | PSR070UL0125Z | 07945825301 | 3 pcs/box |
| | PSR070UL0160 | PSR070UL0160Z | 07945825302 | 3 pcs/box |
| | PSR070UL0200 | PSR070UL0200Z | 07945825303 | 3 pcs/box |
| | PSR070UL0250 | PSR070UL0250Z | 07945825304 | 3 pcs/box |
| | PSR070UL0280 | PSR070UL0280Z | 07945825305 | 3 pcs/box |
| | PSR070UL0315 | PSR070UL0315Z | 07945825306 | 3 pcs/box |
| | PSR070UL0350 | PSR070UL0350Z | 07945828534 | 3 pcs/box |
| | PSR070UL0400 | PSR070UL0400Z | 07945828535 | 3 pcs/box |
| 71 | PSR071UL0160 | PSR071UL0160Z | 07945825307 | 3 pcs/box |
| | PSR071UL0200 | PSR071UL0200Z | 07945825308 | 3 pcs/box |
| | PSR071UL0250 | fPSR071UL0250Z | 07945825309 | 3 pcs/box |
| | PSR071UL0280 | PSR071UL0280Z | 07945825310 | 3 pcs/box |
| | PSR071UL0315 | PSR071UL0315Z | 07945825311 | 3 pcs/box |
| | PSR071UL0350 | PSR071UL0350Z | 07945825312 | 3 pcs/box |
| | PSR071UL0400 | PSR071UL0400Z | 07945825313 | 3 pcs/box |
| | PSR071UL0450 | PSR071UL0450Z | 07945825314 | 3 pcs/box |
| | PSR071UL0500 | PSR071UL0500Z | 07945828536 | 3 pcs/box |
| | PSR071UL0550 | PSR071UL0550Z | 07945828537 | 3 pcs/box |
| | PSR071UL0630 | PSR071UL0630Z | 07945828538 | 3 pcs/box |
| 72 | PSR072UL0250 | PSR072UL0250X | 07945825315 | 1 pc/box |
| | PSR072UL0280 | PSR072UL0280X | 07945825316 | 1 pc/box |
| | PSR072UL0315 | PSR072UL0315X | 07945825317 | 1 pc/box |
| | PSR072UL0350 | PSR072UL0350X | 07945825318 | 1 pc/box |
| | PSR072UL0400 | PSR072UL0400X | 07945825319 | 1 pc/box |
| | PSR072UL0450 | PSR072UL0450X | 07945825320 | 1 pc/box |
| | PSR072UL0500 | PSR072UL0500X | 07945825321 | 1 pc/box |
| | PSR072UL0550 | PSR072UL0550X | 07945825322 | 1 pc/box |
| | PSR072UL0630 | PSR072UL0630X | 07945825323 | 1 pc/box |
| | PSR072UL0700 | PSR072UL0700X | 07945828539 | 1 pc/box |
| | PSR072UL0800 | PSR072UL0800X | 07945828540 | 1 pc/box |
| | PSR072UL0900 | PSR072UL0900X | 07945828541 | 1 pc/box |
| | PSR072UL1000 | PSR072UL1000X | 07945828542 | 1 pc/box |
| 73 | PSR073UL0315 | PSR073UL0315X | 07945825324 | 1 pc/box |
| | PSR073UL0350 | PSR073UL0350X | 07945825325 | 1 pc/box |
| | PSR073UL0400 | PSR073UL0400X | 07945825326 | 1 pc/box |
| | PSR073UL0450 | PSR073UL0450X | 07945825327 | 1 pc/box |
| | PSR073UL0500 | PSR073UL0500X | 07945825328 | 1 pc/box |
| | PSR073UL0550 | PSR073UL0550X | 07945825329 | 1 pc/box |
| | PSR073UL0630 | PSR073UL0630X | 07945825330 | 1 pc/box |
| | PSR073UL0700 | PSR073UL0700X | 07945825331 | 1 pc/box |
| | PSR073UL0800 | PSR073UL0800X | 07945828543 | 1 pc/box |
| | PSR073UL0900 | PSR073UL0900X | 07945828544 | 1 pc/box |
| | PSR073UL1000 | PSR073UL1000X | 07945828545 | 1 pc/box |
| | PSR073UL1100 | PSR073UL1100X | 07945828546 | 1 pc/box |
| | PSR073UL1250 | PSR073UL1250X | 07945828547 | 1 pc/box |
| | PSR073UL1400 | PSR073UL1400X | 07945828548 | 1 pc/box |

POWR-SPEED® Fuses

PSR SERIES HIGH-SPEED SQUARE BODY BOLTED BLADE

Dimensions (US and UL)



| DIMENSIONS MM (IN) | | | | | | | | | | | | | |
|--------------------|----------------|--------------|-------------|-------------|-------------|-------------|-------------|--------------|------------|-------------|--------------|----------------------|------------------------------------|
| CASE SIZE | MOUNTING STYLE | A | B | C | D | E | F | G | H | I | J | RECOMMENDED FASTENER | TIGHTENING TORQUE (REFERENCE ONLY) |
| 30 | Short [US] | 127.2 (5.01) | 43.0 (1.69) | 43.0 (1.69) | 49.0 (1.93) | 20.0 (0.79) | 47.7 (1.88) | 77.9 (3.07) | 6.0 (0.24) | 69.5 (2.74) | 106.3 (4.19) | 10 mm (3/8) | 26 Nm |
| | Long [UL] | 148.0 (5.83) | 43.0 (1.69) | 43.0 (1.69) | 49.0 (1.93) | 20.0 (0.79) | 47.7 (1.88) | 77.9 (3.07) | 6.0 (0.24) | 88.5 (3.48) | 125.8 (4.95) | 10 mm (3/8) | 26 Nm |
| 31 | Short [US] | 133.2 (5.24) | 51.5 (2.03) | 51.5 (2.03) | 57.5 (2.26) | 25.0 (0.98) | 49.2 (1.94) | 86.4 (3.40) | 6.0 (0.24) | 68.8 (2.71) | 108.3 (4.26) | 12 mm (1/2) | 64 Nm |
| | Long [UL] | 153.2 (6.03) | 51.5 (2.03) | 51.5 (2.03) | 57.5 (2.26) | 25.0 (0.98) | 49.2 (1.94) | 86.4 (3.40) | 6.0 (0.24) | 92.3 (3.63) | 128.3 (5.05) | 12 mm (1/2) | 64 Nm |
| 32 | Short [US] | 133.2 (5.24) | 60.0 (2.36) | 60.0 (2.36) | 66.0 (2.60) | 25.0 (0.98) | 49.2 (1.94) | 94.9 (3.74) | 6.0 (0.24) | 68.8 (2.71) | 108.3 (4.26) | 12 mm (1/2) | 64 Nm |
| | Long [UL] | 153.2 (6.03) | 60.0 (2.36) | 60.0 (2.36) | 66.0 (2.60) | 25.0 (0.98) | 49.2 (1.94) | 94.9 (3.74) | 6.0 (0.24) | 92.3 (3.63) | 128.3 (5.05) | 12 mm (1/2) | 64 Nm |
| 33 | Short [US] | 135.4 (5.33) | 73.5 (2.89) | 73.5 (2.89) | 79.5 (3.13) | 36.0 (1.42) | 50.2 (1.98) | 108.4 (4.27) | 6.0 (0.24) | 75.8 (2.98) | 107.3 (4.22) | 14 mm (9/16) | 92 Nm |
| | Long [UL] | 155.2 (6.11) | 73.5 (2.89) | 73.5 (2.89) | 79.5 (3.13) | 36.0 (1.42) | 50.2 (1.98) | 108.4 (4.27) | 6.0 (0.24) | 94.8 (3.73) | 126.3 (4.97) | 14 mm (9/16) | 92 Nm |
| 70 | Long [UL] | 151.2 (5.95) | 43.0 (1.69) | 43.0 (1.69) | 49.0 (1.93) | 20.0 (0.79) | 71.7 (2.82) | 77.9 (3.07) | 6.0 (0.24) | 92.8 (3.65) | 130.3 (5.13) | 10 mm (3/8) | 26 Nm |
| 71 | Long [UL] | 157.2 (6.19) | 51.5 (2.03) | 51.5 (2.03) | 57.5 (2.26) | 25.0 (0.98) | 73.2 (2.88) | 86.4 (3.40) | 6.0 (0.24) | 92.8 (3.65) | 132.3 (5.21) | 12 mm (1/2) | 64 Nm |
| 72 | Long [UL] | 157.2 (6.19) | 60.0 (2.36) | 60.0 (2.36) | 66.0 (2.60) | 25.0 (0.98) | 73.2 (2.88) | 94.9 (3.74) | 6.0 (0.24) | 92.8 (3.65) | 132.3 (5.21) | 12 mm (1/2) | 64 Nm |
| 73 | Long [UL] | 159.4 (6.28) | 73.5 (2.89) | 73.5 (2.89) | 79.5 (3.13) | 36.0 (1.42) | 74.2 (2.92) | 108.4 (4.27) | 6.0 (0.24) | 99.8 (3.93) | 131.3 (5.17) | 14 mm (9/16) | 92 Nm |

POWR-SPEED® Fuses

PSR SERIES HIGH-SPEED SQUARE BODY DIN BLADE

Semiconductor Fuses • DIN 43653 Blade • 40 A–2250 A



Description

Littelfuse PSR series high-speed square body fuses are specially designed for protection of power semiconductor devices such as diodes, triacs, IGBTs, SCRs, MOSFETs, and other solid-state devices that are typically designed into power conversion and power conditioning equipment. Variable frequency drives, inverters, UPS, rectifiers, and soft-starters are examples of typical equipment designed with sensitive power semiconductor devices that cannot withstand any line surge or overcurrent conditions and require high-speed protection.

Littelfuse POWR-SPEED® PSR series products offer optimized circuit protection at the extremely fast speed required to protect modern day power conversion devices. Available in DIN43653 blade style termination with visual blown fuse indication standard on all fuses and optional micro-switch for external indication.

Features/Benefits

- Best in class dc performance
- Extremely current limiting
- Superior cycling capability
- Global certification cURus, CCC*, IEC
- Visual and optional microswitch fuse blown indication
- Low watt-loss design
- Compliance with US and Canadian requirements
- Fast-acting Class aR performance

Applications

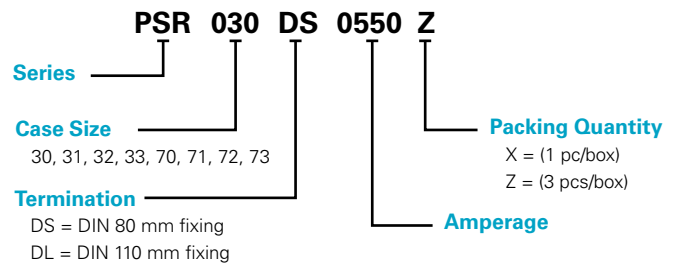
- Power conversion devices (UPS, inverter, rectifiers, drives)
- Dc systems (dc common bus, dc injection braking)
- Battery protection application (energy storage systems)
- Electric vehicle charging stations
- Heaters and power supplies

* Refer to CCC section of Electrical Characteristics table

Specifications

| | |
|------------------------------|---|
| Voltage Rating | Ac: 450 V–1300 V Dc: 450 V–1000 V |
| Amperage Rating | 40 A–2250 A |
| Interrupting Rating | Ac: 100 kA–200 kA Dc: 150 kA |
| Time Constant | 10 ms at IR |
| Microswitch | Yes |
| Mounting | DIN 43653 blade style |
| Material | Body: ceramic Contacts: plated copper |
| Approvals | cURus Recognized (File: E71611) CCC (Ac voltage) * |
| Applicable Standards | UL248-13, IEC 60269-4 (Class aR) |
| Environmental | RoHS Compliant, REACH |
| Operating Temperature | -55 °C to +125 °C |
| Storage Temperature | Up to +35 °C with relative humidity <65 % |
| Country of Origin | Mexico |

Ordering Part Number



Catalog Number

| SERIES | CASE SIZE | TERMINATION | AMPERAGE | CATALOG NUMBER | ORDERING PART NUMBER |
|--------|-----------|-------------|----------|----------------|----------------------|
| PSR | 030 | DS | 0550 | PSR030DS0550 | PSR030DS0550Z |

Recommended Accessories

Microswitch: MS3H1000C (Case Size 30 to 33)
MS7H1500C (Case Size 70 to 73)

Web Resources

Download technical documents: Littelfuse.com/PSR
Note: high-speed fuses are designed for fixed installations. They are not intended for use in moving vehicle applications.

POWR-SPEED® Fuses

PSR SERIES HIGH-SPEED SQUARE BODY DIN BLADE

Electrical Characteristics

| CASE SIZE | CATALOG NUMBER | | AMPERE RATING (A) | VOLTAGE RATING (V) | | | INTERRUPTING RATING | | MELTING (PRE-ARC) I ² T (A ² S) | TOTAL CLEARING I ² T (A ² S) AT RATED VOLTAGE | | WATT LOSS AT 100 % RATED CURRENT (W) | AGENCY CERTIFICATION | |
|--------------|-----------------------|------------------------|-------------------|--------------------|------|--------|---------------------|---------|---|---|---------|--------------------------------------|----------------------|-----|
| | DIN 80 MM FIXING (DS) | DIN 110 MM FIXING (DL) | | AC | | DC | AC | DC | | AC | DC | | cURus | CCC |
| | | | | IEC | UL | | | | | | | | | |
| 30 | PSR030DS0040 | PSR030DL0040 | 40 | 690 | 700 | 600 | 200 kA | 150 kA | 76 | 280 | 260 | 13 | • | • |
| | PSR030DS0050 | PSR030DL0050 | 50 | 690 | 700 | 600 | 200 kA | 150 kA | 110 | 598 | 384 | 16 | • | • |
| | PSR030DS0063 | PSR030DL0063 | 63 | 690 | 700 | 600 | 200 kA | 150 kA | 176 | 1023 | 640 | 20 | • | • |
| | PSR030DS0080 | PSR030DL0080 | 80 | 690 | 700 | 600 | 200 kA | 150 kA | 304 | 1728 | 1252 | 24 | • | • |
| | PSR030DS0100 | PSR030DL0100 | 100 | 690 | 700 | 600 | 200 kA | 150 kA | 437 | 2835 | 1575 | 28 | • | • |
| | PSR030DS0125 | PSR030DL0125 | 125 | 690 | 700 | 600 | 200 kA | 150 kA | 707 | 4684 | 2783 | 37 | • | • |
| | PSR030DS0160 | PSR030DL0160 | 160 | 690 | 700 | 600 | 200 kA | 150 kA | 1359 | 9114 | 5507 | 40 | • | • |
| | PSR030DS0200 | PSR030DL0200 | 200 | 690 | 700 | 600 | 200 kA | 150 kA | 3012 | 15169 | 14700 | 40 | • | • |
| | PSR030DS0250 | PSR030DL0250 | 250 | 690 | 700 | 600 | 200 kA | 150 kA | 4668 | 29952 | 20833 | 52 | • | • |
| | PSR030DS0315 | PSR030DL0315 | 315 | 690 | 700 | 600 | 200 kA | 150 kA | 7131 | 61830 | 31600 | 64 | • | • |
| | PSR030DS0350 | PSR030DL0350 | 350 | 690 | 700 | 600 | 200 kA | 150 kA | 12007 | 85320 | 49273 | 66 | • | • |
| | PSR030DS0400 | PSR030DL0400 | 400 | 690 | 700 | 600 | 200 kA | 150 kA | 16209 | 114750 | 63367 | 78 | • | • |
| | PSR030DS0450 | PSR030DL0450 | 450 | 690 | 700 | 600 | 200 kA | 150 kA | 23133 | 160110 | 93533 | 80 | • | • |
| | PSR030DS0500 | PSR030DL0500 | 500 | 690 | 700 | 600 | 200 kA | 150 kA | 31429 | 225180 | 137333 | 84 | • | • |
| PSR030DS0550 | PSR030DL0550 | 550 | 690 | 700 | 600 | 200 kA | 150 kA | 44323 | 268920 | 145400 | 85 | • | • | |
| PSR030DS0630 | PSR030DL0630 | 630 | 690 | 700 | 550 | 200 kA | 150 kA | 57404 | 480010 | 267800 | 91 | • | • | |
| 31 | PSR031DS0200 | PSR031DL0200 | 200 | 690 | 700 | 600 | 200 kA | 150 kA | 1965 | 17334 | 16188 | 49 | • | • |
| | PSR031DS0250 | PSR031DL0250 | 250 | 690 | 700 | 600 | 200 kA | 150 kA | 3789 | 35343 | 21080 | 52 | • | • |
| | PSR031DS0315 | PSR031DL0315 | 315 | 690 | 700 | 600 | 200 kA | 150 kA | 6862 | 59130 | 30694 | 63 | • | • |
| | PSR031DS0350 | PSR031DL0350 | 350 | 690 | 700 | 600 | 200 kA | 150 kA | 9523 | 76140 | 40996 | 67 | • | • |
| | PSR031DS0400 | PSR031DL0400 | 400 | 690 | 700 | 600 | 200 kA | 150 kA | 14770 | 124335 | 64359 | 70 | • | • |
| | PSR031DS0450 | PSR031DL0450 | 450 | 690 | 700 | 600 | 200 kA | 150 kA | 22457 | 178200 | 97444 | 70 | • | • |
| | PSR031DS0500 | PSR031DL0500 | 500 | 690 | 700 | 600 | 200 kA | 150 kA | 29751 | 251505 | 125935 | 74 | • | • |
| | PSR031DS0550 | PSR031DL0550 | 550 | 690 | 700 | 600 | 200 kA | 150 kA | 42056 | 289170 | 171845 | 86 | • | • |
| | PSR031DS0630 | PSR031DL0630 | 630 | 690 | 700 | 600 | 200 kA | 150 kA | 73513 | 507465 | 276315 | 87 | • | • |
| | PSR031DS0700 | PSR031DL0700 | 700 | 690 | 700 | 600 | 200 kA | 150 kA | 98187 | 601425 | 337260 | 93 | • | • |
| PSR031DS0800 | PSR031DL0800 | 800 | 690 | 700 | 600 | 200 kA | 150 kA | 137208 | 848880 | 502815 | 107 | • | • | |
| PSR031DS0900 | PSR031DL0900 | 900 | 550 | 600 | 550 | 200 kA | 150 kA | 155163 | 945100 | 631820 | 126 | • | • | |
| 32 | PSR032DS0400 | PSR032DL0400 | 400 | 690 | 700 | 600 | 200 kA | 150 kA | 11104 | 79650 | 44533 | 87 | • | • |
| | PSR032DS0450 | PSR032DL0450 | 450 | 690 | 700 | 600 | 200 kA | 150 kA | 15535 | 116100 | 65463 | 88 | • | • |
| | PSR032DS0500 | PSR032DL0500 | 500 | 690 | 700 | 600 | 200 kA | 150 kA | 21573 | 161460 | 88277 | 94 | • | • |
| | PSR032DS0550 | PSR032DL0550 | 550 | 690 | 700 | 600 | 200 kA | 150 kA | 26327 | 177660 | 107960 | 106 | • | • |
| | PSR032DS0630 | PSR032DL0630 | 630 | 690 | 700 | 600 | 200 kA | 150 kA | 34790 | 234900 | 156963 | 114 | • | • |
| | PSR032DS0700 | PSR032DL0700 | 700 | 690 | 700 | 600 | 200 kA | 150 kA | 51191 | 291870 | 209287 | 127 | • | • |
| | PSR032DS0800 | PSR032DL0800 | 800 | 690 | 700 | 600 | 200 kA | 150 kA | 60125 | 472770 | 249000 | 152 | • | • |
| | PSR032DS0900 | PSR032DL0900 | 900 | 690 | 700 | 600 | 200 kA | 150 kA | 107785 | 764100 | 404000 | 145 | • | • |
| | PSR032DS1000 | PSR032DL1000 | 1000 | 690 | 700 | 600 | 200 kA | 150 kA | 190102 | 933120 | 672333 | 149 | • | • |
| | PSR032DS1100 | PSR032DL1100 | 1100 | 690 | 700 | 600 | 200 kA | 150 kA | 225379 | 1247400 | 744000 | 161 | • | • |
| | PSR032DS1250 | PSR032DL1250 | 1250 | 550 | 500* | 450* | 200 kA | 150 kA | 336661 | 1114994 | 1197000 | 166 | • | • |
| | PSR032DS1400 | PSR032DL1400 | 1400 | 450 | 500 | 450 | 200 kA | 150 kA | 551749 | 1611639 | 1865400 | 184 | • | • |
| PSR032DS1500 | PSR032DL1500 | 1500 | 450 | 500 | 450 | 200 kA | 150 kA | 673360 | 2045907 | 1735500 | 192 | • | • | |
| 33 | PSR033DS0450 | PSR033DL0450 | 450 | 690 | 700 | 600 | 200 kA | 150 kA | 13600 | 106380 | 58947 | 107 | • | • |
| | PSR033DS0500 | PSR033DL0500 | 500 | 690 | 700 | 600 | 200 kA | 150 kA | 16434 | 140400 | 77846 | 107 | • | • |
| | PSR033DS0550 | PSR033DL0550 | 550 | 690 | 700 | 600 | 200 kA | 150 kA | 23314 | 187650 | 100461 | 111 | • | • |
| | PSR033DS0630 | PSR033DL0630 | 630 | 690 | 700 | 600 | 200 kA | 150 kA | 38727 | 285930 | 142437 | 120 | • | • |
| | PSR033DS0700 | PSR033DL0700 | 700 | 690 | 700 | 600 | 200 kA | 150 kA | 56763 | 392580 | 209863 | 116 | • | • |
| | PSR033DS0800 | PSR033DL0800 | 800 | 690 | 700 | 600 | 200 kA | 150 kA | 84691 | 575505 | 348500 | 122 | • | • |
| | PSR033DS0900 | PSR033DL0900 | 900 | 690 | 700 | 600 | 200 kA | 150 kA | 122619 | 740340 | 451177 | 138 | • | • |
| | PSR033DS1000 | PSR033DL1000 | 1000 | 690 | 700 | 600 | 200 kA | 150 kA | 222350 | 1170450 | 787750 | 138 | • | • |
| | PSR033DS1100 | PSR033DL1100 | 1100 | 690 | 700 | 600 | 200 kA | 150 kA | 310824 | 1568700 | 821400 | 138 | • | • |
| | PSR033DS1250 | PSR033DL1250 | 1250 | 690 | 700 | 500 | 200 kA | 150 kA | 476902 | 2403000 | 1674333 | 145 | • | • |
| | PSR033DS1400 | PSR033DL1400 | 1400 | 690 | 700 | 500 | 200 kA | 150 kA | 583552 | 2920050 | 1979750 | 173 | • | • |
| | PSR033DS1500 | PSR033DL1500 | 1500 | 600 | 650 | 500 | 200 kA | 150 kA | 674538 | 2433200 | 1996733 | 182 | • | • |
| | PSR033DS1600 | PSR033DL1600 | 1600 | 600 | 650 | 500 | 200 kA | 150 kA | 779948 | 2942800 | 2301633 | 208 | • | • |
| | PSR033DS1800 | PSR033DL1800 | 1800 | 600 | 650 | 500 | 200 kA | 150 kA | 952196 | 3785040 | 2724180 | 260 | • | • |
| PSR033DS2000 | PSR033DL2000 | 2000 | 550 | 600 | 480 | 200 kA | 150 kA | 1234315 | 4131600 | 3755180 | 264 | • | • | |
| PSR033DS2250 | PSR033DL2250 | 2250 | 500 | 550 | 450 | 200 kA | 150 kA | 1236000 | 4459651 | 3859500 | 349 | • | • | |

* PSR032 1250 A: 600 V Ac/550 V Dc

POWR-SPEED® Fuses

PSR SERIES HIGH-SPEED SQUARE BODY DIN BLADE

Electrical Characteristics (cont.)

| CASE SIZE | CATALOG NUMBER | AMPERE RATING (A) | VOLTAGE RATING (V) | | | INTERRUPTING RATING | | MELTING (PRE-ARC) I ² T (A ² S) | TOTAL CLEARING I ² T (A ² S) AT RATED VOLTAGE | | WATT LOSS AT 100 % RATED CURRENT (W) | AGENCY CERTIFICATION | |
|--------------|----------------|-------------------|--------------------|-------|--------|---------------------|--------|---|---|---------|--------------------------------------|----------------------|-----|
| | | | AC | | DC | AC | DC | | AC | DC | | cURus | CCC |
| | IEC | | UL | | | | | | | | | | |
| 70 | PSR070DL0050 | 50 | 1250 | 1300 | 1000 | 100 kA | 150 kA | 177 | 2050 | 400 | 21 | • | • |
| | PSR070DL0063 | 63 | 1250 | 1300 | 1000 | 100 kA | 150 kA | 273 | 3399 | 900 | 24 | • | • |
| | PSR070DL0080 | 80 | 1250 | 1300 | 1000 | 100 kA | 150 kA | 583 | 6732 | 2200 | 25 | • | • |
| | PSR070DL0100 | 100 | 1250 | 1300 | 1000 | 100 kA | 150 kA | 974 | 10996 | 3750 | 30 | • | • |
| | PSR070DL0125 | 125 | 1250 | 1300 | 1000 | 100 kA | 150 kA | 1352 | 13011 | 5150 | 44 | • | • |
| | PSR070DL0160 | 160 | 1250 | 1300 | 1000 | 100 kA | 150 kA | 2377 | 25662 | 8950 | 53 | • | • |
| | PSR070DL0200 | 200 | 1250 | 1300 | 1000 | 100 kA | 150 kA | 4177 | 39087 | 17267 | 62 | • | • |
| | PSR070DL0250 | 250 | 1250 | 1300 | 1000 | 100 kA | 150 kA | 8629 | 89790 | 36750 | 73 | • | • |
| | PSR070DL0280 | 280 | 1250 | 1300 | 1000 | 100 kA | 150 kA | 11844 | 113201 | 46750 | 77 | • | • |
| | PSR070DL0315 | 315 | 1250 | 1300 | 1000 | 100 kA | 150 kA | 18162 | 142051 | 66833 | 80 | • | • |
| PSR070DL0350 | 350 | 1250 | 1200* | 900* | 100 kA | 150 kA | 22963 | 215230 | 95410 | 76 | • | • | |
| PSR070DL0400 | 400 | 1100 | 1200 | 900 | 100 kA | 150 kA | 37103 | 283480 | 154320 | 78 | • | • | |
| 71 | PSR071DL0160 | 160 | 1250 | 1300 | 1000 | 100 kA | 150 kA | 2756 | 24600 | 8800 | 45 | • | • |
| | PSR071DL0200 | 200 | 1250 | 1300 | 1000 | 100 kA | 150 kA | 4918 | 50307 | 19050 | 52 | • | • |
| | PSR071DL0250 | 250 | 1250 | 1300 | 1000 | 100 kA | 150 kA | 10592 | 104427 | 43100 | 55 | • | • |
| | PSR071DL0280 | 280 | 1250 | 1300 | 1000 | 100 kA | 150 kA | 13763 | 131897 | 54150 | 58 | • | • |
| | PSR071DL0315 | 315 | 1250 | 1300 | 1000 | 100 kA | 150 kA | 20882 | 200244 | 67450 | 59 | • | • |
| | PSR071DL0350 | 350 | 1250 | 1300 | 1000 | 100 kA | 150 kA | 23301 | 225500 | 102500 | 70 | • | • |
| | PSR071DL0400 | 400 | 1250 | 1300 | 1000 | 100 kA | 150 kA | 43211 | 374986 | 185000 | 76 | • | • |
| | PSR071DL0450 | 450 | 1250 | 1300 | 1000 | 100 kA | 150 kA | 55915 | 452394 | 241333 | 88 | • | • |
| PSR071DL0500 | 500 | 1100 | 1200 | 900 | 100 kA | 150 kA | 75315 | 468845 | 253960 | 93 | • | • | |
| PSR071DL0550 | 550 | 1100 | 1200 | 900 | 100 kA | 150 kA | 87328 | 693507 | 332600 | 90 | • | • | |
| PSR071DL0630 | 630 | 1000 | 1100 | 900 | 100 kA | 150 kA | 131240 | 790862 | 426550 | 103 | • | • | |
| 72 | PSR072DL0250 | 250 | 1250 | 1300 | 1000 | 100 kA | 150 kA | 7737 | 72789 | 28567 | 64 | • | • |
| | PSR072DL0280 | 280 | 1250 | 1300 | 1000 | 100 kA | 150 kA | 10915 | 124538 | 46897 | 62 | • | • |
| | PSR072DL0315 | 315 | 1250 | 1300 | 1000 | 100 kA | 150 kA | 16187 | 145140 | 58867 | 69 | • | • |
| | PSR072DL0350 | 350 | 1250 | 1300 | 1000 | 100 kA | 150 kA | 18727 | 160447 | 69633 | 81 | • | • |
| | PSR072DL0400 | 400 | 1250 | 1300 | 1000 | 100 kA | 150 kA | 27112 | 243540 | 108000 | 93 | • | • |
| | PSR072DL0450 | 450 | 1250 | 1300 | 1000 | 100 kA | 150 kA | 35927 | 406413 | 159133 | 107 | • | • |
| | PSR072DL0500 | 500 | 1250 | 1300 | 1000 | 100 kA | 150 kA | 50398 | 425375 | 216333 | 115 | • | • |
| | PSR072DL0550 | 550 | 1250 | 1300 | 1000 | 100 kA | 150 kA | 73858 | 539833 | 271333 | 115 | • | • |
| | PSR072DL0630 | 630 | 1250 | 1300 | 1000 | 100 kA | 150 kA | 126126 | 942180 | 436000 | 119 | • | • |
| | PSR072DL0700 | 700 | 1100 | 1200 | 900** | 100 kA | 150 kA | 228761 | 1123694 | 715180 | 89 | • | • |
| | PSR072DL0800 | 800 | 1100 | 1200 | 900** | 100 kA | 150 kA | 230695 | 1432388 | 911650 | 129 | • | • |
| PSR072DL0900 | 900 | 1000 | 900* | 900** | 100 kA | 150 kA | 376641 | 1309993 | 1030400 | 131 | • | • | |
| PSR072DL1000 | 1000 | 850 | 900 | 800** | 100 kA | 150 kA | 455955 | 1772548 | 1361500 | 156 | • | • | |
| 73 | PSR073DL0315 | 315 | 1250 | 1300 | 1000 | 100 kA | 150 kA | 10245 | 106600 | 38650 | 100 | • | • |
| | PSR073DL0350 | 350 | 1250 | 1300 | 1000 | 100 kA | 150 kA | 13586 | 159627 | 57467 | 100 | • | • |
| | PSR073DL0400 | 400 | 1250 | 1300 | 1000 | 100 kA | 150 kA | 19797 | 211273 | 86800 | 124 | • | • |
| | PSR073DL0450 | 450 | 1250 | 1300 | 1000 | 100 kA | 150 kA | 29834 | 279073 | 114333 | 122 | • | • |
| | PSR073DL0500 | 500 | 1250 | 1300 | 1000 | 100 kA | 150 kA | 42751 | 416437 | 184500 | 121 | • | • |
| | PSR073DL0550 | 550 | 1250 | 1300 | 1000 | 100 kA | 150 kA | 55513 | 491713 | 224500 | 130 | • | • |
| | PSR073DL0630 | 630 | 1250 | 1300 | 1000 | 100 kA | 150 kA | 94649 | 804338 | 377500 | 136 | • | • |
| | PSR073DL0700 | 700 | 1250 | 1300 | 1000 | 100 kA | 150 kA | 158097 | 1170960 | 575667 | 135 | • | • |
| | PSR073DL0800 | 800 | 1250 | 1300 | 1000** | 100 kA | 150 kA | 234943 | 1769880 | 733460 | 128 | • | • |
| | PSR073DL0900 | 900 | 950 | 1050 | 800** | 100 kA | 150 kA | 317743 | 2280547 | 901779 | 156 | • | • |
| | PSR073DL1000 | 1000 | 950 | 1050 | 800** | 100 kA | 150 kA | 476221 | 3910801 | 1546418 | 143 | • | • |
| | PSR073DL1100 | 1100 | 950 | 1050 | 800** | 100 kA | 150 kA | 570870 | 2736600 | 1699000 | 165 | • | • |
| | PSR073DL1250 | 1250 | 900 | 1000 | - | 100 kA | - | 993924 | 3091160 | - | 197 | • | • |
| | PSR073DL1400 | 1400 | 900 | 1000 | - | 100 kA | - | 1168091 | 3627820 | - | 249 | • | • |

* PSR070 350 A: 1300 V Ac/1000 V Dc

PSR072 900 A: 1100 V Ac

** No UL certification for Dc voltage

POWR-SPEED® Fuses

PSR SERIES HIGH-SPEED SQUARE BODY DIN BLADE

Ordering Information

| CASE SIZE | DIN 80 MM FIXING (DS) | | | DIN 110 MM FIXING (DL) | | | BOX QUANTITY |
|--------------|-----------------------|----------------------|---------------|------------------------|----------------------|---------------|--------------|
| | CATALOG NUMBER | ORDERING PART NUMBER | UPC | CATALOG NUMBER | ORDERING PART NUMBER | UPC | |
| 30 | PSR030DS0040 | PSR030DS0040Z | 07945824985 | PSR030DL0040 | PSR030DL0040Z | 07945825049 | 3 pcs/box |
| | PSR030DS0050 | PSR030DS0050Z | 07945824986 | PSR030DL0050 | PSR030DL0050Z | 07945825050 | 3 pcs/box |
| | PSR030DS0063 | PSR030DS0063Z | 07945824987 | PSR030DL0063 | PSR030DL0063Z | 07945825051 | 3 pcs/box |
| | PSR030DS0080 | PSR030DS0080Z | 07945824988 | PSR030DL0080 | PSR030DL0080Z | 07945825052 | 3 pcs/box |
| | PSR030DS0100 | PSR030DS0100Z | 07945824989 | PSR030DL0100 | PSR030DL0100Z | 07945825054 | 3 pcs/box |
| | PSR030DS0125 | PSR030DS0125Z | 07945824990 | PSR030DL0125 | PSR030DL0125Z | 07945825056 | 3 pcs/box |
| | PSR030DS0160 | PSR030DS0160Z | 07945824991 | PSR030DL0160 | PSR030DL0160Z | 07945825057 | 3 pcs/box |
| | PSR030DS0200 | PSR030DS0200Z | 07945824992 | PSR030DL0200 | PSR030DL0200Z | 07945825059 | 3 pcs/box |
| | PSR030DS0250 | PSR030DS0250Z | 07945824993 | PSR030DL0250 | PSR030DL0250Z | 07945825060 | 3 pcs/box |
| | PSR030DS0315 | PSR030DS0315Z | 07945824994 | PSR030DL0315 | PSR030DL0315Z | 07945825062 | 3 pcs/box |
| | PSR030DS0350 | PSR030DS0350Z | 07945824995 | PSR030DL0350 | PSR030DL0350Z | 07945825066 | 3 pcs/box |
| | PSR030DS0400 | PSR030DS0400Z | 07945824996 | PSR030DL0400 | PSR030DL0400Z | 07945825069 | 3 pcs/box |
| | PSR030DS0450 | PSR030DS0450Z | 07945824997 | PSR030DL0450 | PSR030DL0450Z | 07945825070 | 3 pcs/box |
| | PSR030DS0500 | PSR030DS0500Z | 07945824998 | PSR030DL0500 | PSR030DL0500Z | 07945825074 | 3 pcs/box |
| PSR030DS0550 | PSR030DS0550Z | 07945824999 | PSR030DL0550 | PSR030DL0550Z | 07945825075 | 3 pcs/box | |
| PSR030DS0630 | PSR030DS0630Z | 07945827822 | PSR030DL0630 | PSR030DL0630Z | 07945827801 | 3 pcs/box | |
| 31 | PSR031DS0200 | PSR031DS0200Z | 07945825000 | PSR031DL0200 | PSR031DL0200Z | 07945825076 | 3 pcs/box |
| | PSR031DS0250 | PSR031DS0250Z | 07945825001 | PSR031DL0250 | PSR031DL0250Z | 07945825077 | 3 pcs/box |
| | PSR031DS0315 | PSR031DS0315Z | 07945825002 | PSR031DL0315 | PSR031DL0315Z | 07945825078 | 3 pcs/box |
| | PSR031DS0350 | PSR031DS0350Z | 07945825003 | PSR031DL0350 | PSR031DL0350Z | 07945825079 | 3 pcs/box |
| | PSR031DS0400 | PSR031DS0400Z | 07945825004 | PSR031DL0400 | PSR031DL0400Z | 07945825080 | 3 pcs/box |
| | PSR031DS0450 | PSR031DS0450Z | 07945825005 | PSR031DL0450 | PSR031DL0450Z | 07945825081 | 3 pcs/box |
| | PSR031DS0500 | PSR031DS0500Z | 07945825006 | PSR031DL0500 | PSR031DL0500Z | 07945825082 | 3 pcs/box |
| | PSR031DS0550 | PSR031DS0550Z | 07945825007 | PSR031DL0550 | PSR031DL0550Z | 07945825083 | 3 pcs/box |
| | PSR031DS0630 | PSR031DS0630Z | 07945825008 | PSR031DL0630 | PSR031DL0630Z | 07945825084 | 3 pcs/box |
| | PSR031DS0700 | PSR031DS0700Z | 07945825009 | PSR031DL0700 | PSR031DL0700Z | 07945825085 | 3 pcs/box |
| | PSR031DS0800 | PSR031DS0800Z | 07945825010 | PSR031DL0800 | PSR031DL0800Z | 07945825086 | 3 pcs/box |
| PSR031DS0900 | PSR031DS0900Z | 07945827823 | PSR031DL0900 | PSR031DL0900Z | 07945827802 | 3 pcs/box | |
| 32 | PSR032DS0400 | PSR032DS0400X | 07945825013 | PSR032DL0400 | PSR032DL0400X | 07945825087 | 1 pc/box |
| | PSR032DS0450 | PSR032DS0450X | 07945825014 | PSR032DL0450 | PSR032DL0450X | 07945825088 | 1 pc/box |
| | PSR032DS0500 | PSR032DS0500X | 07945825015 | PSR032DL0500 | PSR032DL0500X | 07945825089 | 1 pc/box |
| | PSR032DS0550 | PSR032DS0550X | 07945825016 | PSR032DL0550 | PSR032DL0550X | 07945825090 | 1 pc/box |
| | PSR032DS0630 | PSR032DS0630X | 07945825017 | PSR032DL0630 | PSR032DL0630X | 07945825091 | 1 pc/box |
| | PSR032DS0700 | PSR032DS0700X | 07945825021 | PSR032DL0700 | PSR032DL0700X | 07945825092 | 1 pc/box |
| | PSR032DS0800 | PSR032DS0800X | 07945825022 | PSR032DL0800 | PSR032DL0800X | 07945825141 | 1 pc/box |
| | PSR032DS0900 | PSR032DS0900X | 07945825023 | PSR032DL0900 | PSR032DL0900X | 07945825142 | 1 pc/box |
| | PSR032DS1000 | PSR032DS1000X | 07945825025 | PSR032DL1000 | PSR032DL1000X | 07945825143 | 1 pc/box |
| | PSR032DS1100 | PSR032DS1100X | 07945825026 | PSR032DL1100 | PSR032DL1100X | 07945825144 | 1 pc/box |
| | PSR032DS1250 | PSR032DS1250X | 07945827824 | PSR032DL1250 | PSR032DL1250X | 07945827803 | 1 pc/box |
| | PSR032DS1400 | PSR032DS1400X | 07945827825 | PSR032DL1400 | PSR032DL1400X | 07945827804 | 1 pc/box |
| | PSR032DS1500 | PSR032DS1500X | 07945827826 | PSR032DL1500 | PSR032DL1500X | 07945827805 | 1 pc/box |
| | 33 | PSR033DS0450 | PSR033DS0450X | 07945825027 | PSR033DL0450 | PSR033DL0450X | 07945825145 |
| PSR033DS0500 | | PSR033DS0500X | 07945825028 | PSR033DL0500 | PSR033DL0500X | 07945825146 | 1 pc/box |
| PSR033DS0550 | | PSR033DS0550X | 07945825030 | PSR033DL0550 | PSR033DL0550X | 07945825147 | 1 pc/box |
| PSR033DS0630 | | PSR033DS0630X | 07945825032 | PSR033DL0630 | PSR033DL0630X | 07945825148 | 1 pc/box |
| PSR033DS0700 | | PSR033DS0700X | 07945825033 | PSR033DL0700 | PSR033DL0700X | 07945825149 | 1 pc/box |
| PSR033DS0800 | | PSR033DS0800X | 07945825034 | PSR033DL0800 | PSR033DL0800X | 07945825150 | 1 pc/box |
| PSR033DS0900 | | PSR033DS0900X | 07945825035 | PSR033DL0900 | PSR033DL0900X | 07945825151 | 1 pc/box |
| PSR033DS1000 | | PSR033DS1000X | 07945825036 | PSR033DL1000 | PSR033DL1000X | 07945825152 | 1 pc/box |
| PSR033DS1100 | | PSR033DS1100X | 07945825038 | PSR033DL1100 | PSR033DL1100X | 07945825153 | 1 pc/box |
| PSR033DS1250 | | PSR033DS1250X | 07945825039 | PSR033DL1250 | PSR033DL1250X | 07945825154 | 1 pc/box |
| PSR033DS1400 | | PSR033DS1400X | 07945825040 | PSR033DL1400 | PSR033DL1400X | 07945825155 | 1 pc/box |
| PSR033DS1500 | | PSR033DS1500X | 07945825042 | PSR033DL1500 | PSR033DL1500X | 07945825156 | 1 pc/box |
| PSR033DS1600 | | PSR033DS1600X | 07945825044 | PSR033DL1600 | PSR033DL1600X | 07945825157 | 1 pc/box |
| PSR033DS1800 | | PSR033DS1800X | 07945825045 | PSR033DL1800 | PSR033DL1800X | 07945825158 | 1 pc/box |
| PSR033DS2000 | | PSR033DS2000X | 07945825046 | PSR033DL2000 | PSR033DL2000X | 07945825159 | 1 pc/box |
| PSR033DS2250 | | PSR033DS2250X | 07945827827 | PSR033DL2250 | PSR033DL2250X | 07945827806 | 1 pc/box |

POWR-SPEED® Fuses

PSR SERIES HIGH-SPEED SQUARE BODY DIN BLADE

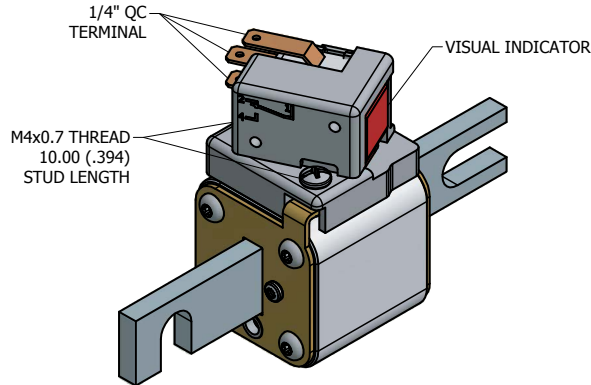
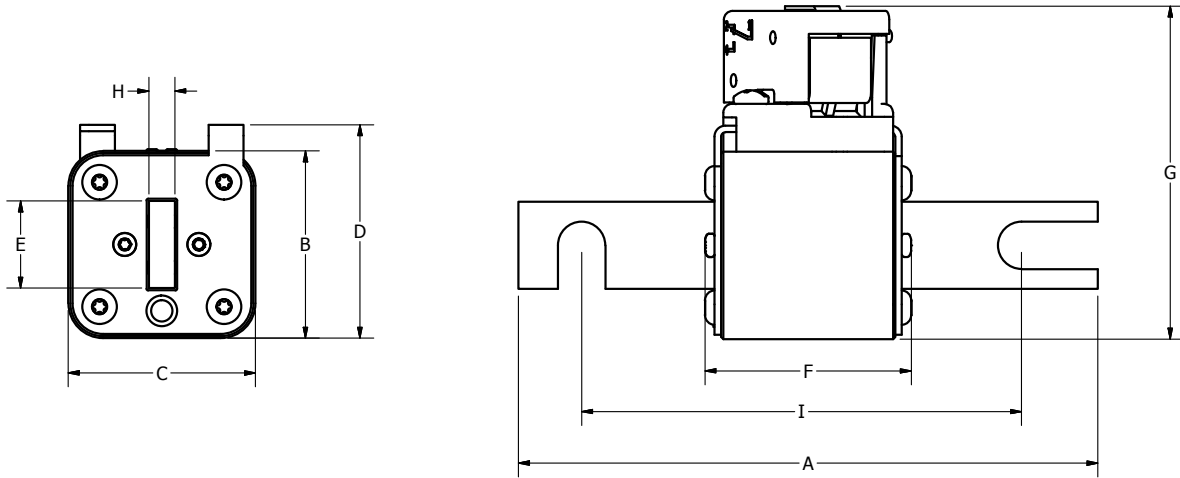
Ordering Information (cont.)

| CASE SIZE | DIN 110 MM FIXING (DL) | | | BOX QUANTITY |
|--------------|------------------------|----------------------|-------------|--------------|
| | CATALOG NUMBER | ORDERING PART NUMBER | UPC | |
| 70 | PSR070DL0050 | PSR070DL0050Z | 07945825160 | 3 pcs/box |
| | PSR070DL0063 | PSR070DL0063Z | 07945825161 | 3 pcs/box |
| | PSR070DL0080 | PSR070DL0080Z | 07945825162 | 3 pcs/box |
| | PSR070DL0100 | PSR070DL0100Z | 07945825163 | 3 pcs/box |
| | PSR070DL0125 | PSR070DL0125Z | 07945825164 | 3 pcs/box |
| | PSR070DL0160 | PSR070DL0160Z | 07945825165 | 3 pcs/box |
| | PSR070DL0200 | PSR070DL0200Z | 07945825166 | 3 pcs/box |
| | PSR070DL0250 | PSR070DL0250Z | 07945825167 | 3 pcs/box |
| | PSR070DL0280 | PSR070DL0280Z | 07945825168 | 3 pcs/box |
| | PSR070DL0315 | PSR070DL0315Z | 07945825169 | 3 pcs/box |
| | PSR070DL0350 | PSR070DL0350Z | 07945827807 | 3 pcs/box |
| PSR070DL0400 | PSR070DL0400Z | 07945827808 | 3 pcs/box | |
| 71 | PSR071DL0160 | PSR071DL0160Z | 07945825170 | 3 pcs/box |
| | PSR071DL0200 | PSR071DL0200Z | 07945825171 | 3 pcs/box |
| | PSR071DL0250 | PSR071DL0250Z | 07945825172 | 3 pcs/box |
| | PSR071DL0280 | PSR071DL0280Z | 07945825173 | 3 pcs/box |
| | PSR071DL0315 | PSR071DL0315Z | 07945825174 | 3 pcs/box |
| | PSR071DL0350 | PSR071DL0350Z | 07945825175 | 3 pcs/box |
| | PSR071DL0400 | PSR071DL0400Z | 07945825176 | 3 pcs/box |
| | PSR071DL0450 | PSR071DL0450Z | 07945825177 | 3 pcs/box |
| | PSR071DL0500 | PSR071DL0500Z | 07945827809 | 3 pcs/box |
| | PSR071DL0550 | PSR071DL0550Z | 07945827810 | 3 pcs/box |
| | PSR071DL0630 | PSR071DL0630Z | 07945827811 | 3 pcs/box |
| 72 | PSR072DL0250 | PSR072DL0250X | 07945825178 | 1 pc/box |
| | PSR072DL0280 | PSR072DL0280X | 07945825179 | 1 pc/box |
| | PSR072DL0315 | PSR072DL0315X | 07945825180 | 1 pc/box |
| | PSR072DL0350 | PSR072DL0350X | 07945825181 | 1 pc/box |
| | PSR072DL0400 | PSR072DL0400X | 07945825182 | 1 pc/box |
| | PSR072DL0450 | PSR072DL0450X | 07945825183 | 1 pc/box |
| | PSR072DL0500 | PSR072DL0500X | 07945825184 | 1 pc/box |
| | PSR072DL0550 | PSR072DL0550X | 07945825185 | 1 pc/box |
| | PSR072DL0630 | PSR072DL0630X | 07945825186 | 1 pc/box |
| | PSR072DL0700 | PSR072DL0700X | 07945827812 | 1 pc/box |
| | PSR072DL0800 | PSR072DL0800X | 07945827813 | 1 pc/box |
| PSR072DL0900 | PSR072DL0900X | 07945827814 | 1 pc/box | |
| PSR072DL1000 | PSR072DL1000X | 07945827815 | 1 pc/box | |
| 73 | PSR073DL0315 | PSR073DL0315X | 07945825187 | 1 pc/box |
| | PSR073DL0350 | PSR073DL0350X | 07945825188 | 1 pc/box |
| | PSR073DL0400 | PSR073DL0400X | 07945825189 | 1 pc/box |
| | PSR073DL0450 | PSR073DL0450X | 07945825190 | 1 pc/box |
| | PSR073DL0500 | PSR073DL0500X | 07945825191 | 1 pc/box |
| | PSR073DL0550 | PSR073DL0550X | 07945825192 | 1 pc/box |
| | PSR073DL0630 | PSR073DL0630X | 07945825193 | 1 pc/box |
| | PSR073DL0700 | PSR073DL0700X | 07945825194 | 1 pc/box |
| | PSR073DL0800 | PSR073DL0800X | 07945827816 | 1 pc/box |
| | PSR073DL0900 | PSR073DL0900X | 07945827817 | 1 pc/box |
| | PSR073DL1000 | PSR073DL1000X | 07945827818 | 1 pcsbox |
| | PSR073DL1100 | PSR073DL1100X | 07945827819 | 1 pc/box |
| | PSR073DL1250 | PSR073DL1250X | 07945827820 | 1 pc/box |
| | PSR073DL1400 | PSR073DL1400X | 07945827821 | 1 pc/box |

POWR-SPEED® Fuses

PSR SERIES HIGH-SPEED SQUARE BODY DIN BLADE

Dimensions (DS and DL)



| DIMENSIONS MM (IN) | | | | | | | | | | | | |
|--------------------|----------------|--------------|-------------|-------------|-------------|-------------|-------------|--------------|------------|--------------|----------------------|------------------------------------|
| CASE SIZE | MOUNTING STYLE | A | B | C | D | E | F | G | H | I | RECOMMENDED FASTENER | TIGHTENING TORQUE (REFERENCE ONLY) |
| 30 | DIN 80 [DS] | 109.0 (4.29) | 43.0 (1.69) | 43.0 (1.69) | 49.0 (1.93) | 20.0 (0.79) | 47.7 (1.88) | 77.9 (3.07) | 6.0 (0.24) | 77.8 (3.06) | 10 mm (3/8) | 26 Nm |
| | DIN 110 [DL] | 132.5 (5.22) | 43.0 (1.69) | 43.0 (1.69) | 49.0 (1.93) | 20.0 (0.79) | 47.7 (1.88) | 77.9 (3.07) | 6.0 (0.24) | 101.8 (4.01) | 10 mm (3/8) | 26 Nm |
| 31 | DIN 80 [DS] | 109.2 (4.30) | 51.5 (2.03) | 51.5 (2.03) | 57.5 (2.26) | 25.0 (0.98) | 49.2 (1.94) | 86.4 (3.40) | 6.0 (0.24) | 77.8 (3.06) | 10 mm (3/8) | 26 Nm |
| | DIN 110 [DL] | 133.2 (5.24) | 51.5 (2.03) | 51.5 (2.03) | 57.5 (2.26) | 25.0 (0.98) | 49.2 (1.94) | 86.4 (3.40) | 6.0 (0.24) | 101.8 (4.01) | 10 mm (3/8) | 26 Nm |
| 32 | DIN 80 [DS] | 109.2 (4.30) | 60.0 (2.36) | 60.0 (2.36) | 66.0 (2.60) | 25.0 (0.98) | 49.2 (1.94) | 94.9 (3.74) | 6.0 (0.24) | 77.8 (3.06) | 10 mm (3/8) | 26 Nm |
| | DIN 110 [DL] | 133.2 (5.24) | 60.0 (2.36) | 60.0 (2.36) | 66.0 (2.60) | 25.0 (0.98) | 49.2 (1.94) | 94.9 (3.74) | 6.0 (0.24) | 101.8 (4.01) | 10 mm (3/8) | 26 Nm |
| 33 | DIN 80 [DS] | 109.2 (4.30) | 73.5 (2.89) | 73.5 (2.89) | 79.5 (3.13) | 36.0 (1.42) | 50.2 (1.98) | 108.4 (4.27) | 6.0 (0.24) | 77.8 (3.06) | 10 mm (3/8) | 26 Nm |
| | DIN 110 [DL] | 133.2 (5.24) | 73.5 (2.89) | 73.5 (2.89) | 79.5 (3.13) | 36.0 (1.42) | 50.2 (1.98) | 108.4 (4.27) | 6.0 (0.24) | 101.8 (4.01) | 10 mm (3/8) | 26 Nm |
| 70 | DIN 110 [DL] | 133.0 (5.24) | 43.0 (1.69) | 43.0 (1.69) | 49.0 (1.93) | 20.0 (0.79) | 71.7 (2.82) | 77.9 (3.07) | 6.0 (0.24) | 101.8 (4.01) | 10 mm (3/8) | 26 Nm |
| 71 | DIN 110 [DL] | 133.2 (5.24) | 51.5 (2.03) | 51.5 (2.03) | 57.5 (2.26) | 25.0 (0.98) | 73.2 (2.88) | 86.4 (3.40) | 6.0 (0.24) | 101.8 (4.01) | 10 mm (3/8) | 26 Nm |
| 72 | DIN 110 [DL] | 133.2 (5.24) | 60.0 (2.36) | 60.0 (2.36) | 66.0 (2.60) | 25.0 (0.98) | 73.2 (2.88) | 94.9 (3.74) | 6.0 (0.24) | 101.8 (4.01) | 10 mm (3/8) | 26 Nm |
| 73 | DIN 110 [DL] | 133.2 (5.24) | 73.5 (2.89) | 73.5 (2.89) | 79.5 (3.13) | 36.0 (1.42) | 74.2 (2.92) | 108.4 (4.27) | 6.0 (0.24) | 101.8 (4.01) | 10 mm (3/8) | 26 Nm |

POWR-SPEED® Fuses

L75QS SERIES HIGH-SPEED ROUND BODY

750 V dc • Very Fast Acting • 35–800 A



Description

The L75QS series is a next generation high-speed fuse for the protection of power semiconductor devices and is designed in the traditional round body bolted style package.

L75QS series high-speed fuses rated at 750 V dc are extremely current limiting and are used to protect power converters, drives and control circuit applications. Designed with lower I²t performance characteristics, these fuses provide balanced performance to extend longevity while lowering potentially damaging heat energy to the devices being protected.

In addition L75QS series fuses have been designed with a universal mounting option to meet customer requirements for installation into a variety of application configurations.

Littelfuse POWR-SPEED products offer optimized circuit protection at the extremely fast speed required to protect modern day, sensitive, high-power semiconductor devices.

Features

- Compliance with US and Canadian requirements
- Traditional North American bolted style dimensions
- 750 V dc performance
- Direct bus-bar mount or stud mount design
- Halogen free, RoHS and REACH Compliant

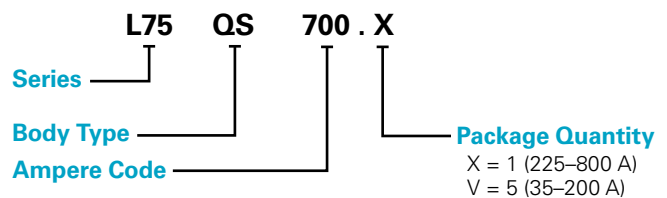
Applications

- Power converters (inverters, rectifiers)
- Power supplies, UPS
- EV charging stations
- Variable speed drives
- Dc common bus

Specifications

| | |
|------------------------------|--|
| Voltage Rating | Dc: 750 V |
| Amperage Rating | 35–800 A |
| Interrupting Rating | Dc: 50 kA |
| Time Constant | 10 ms |
| Material | Body: melamine Caps: copper alloy |
| Approvals | UL Recognized (E71611) cURus (E71611) |
| Environmental | RoHS Compliant, REACH |
| Country of Origin | Mexico |
| Operating Temperature | -55 °C to +125 °C |
| Storage Temperature | Up to 35 °C with relative humidity <65 % |

Part Numbering System



| SERIES | BODY TYPE | AMPERE CODE | PACKAGE QUANTITY | CATALOG NUMBER | ORDERING NUMBER |
|--------|-----------|-------------|------------------|----------------|-----------------|
| L75 | QS | 700 | 1 | L75QS700 | L75QS700.X |

Recommended Fuse Blocks

- LSCR101 (35–100 A)
- LSCR102 (125–800 A)
- LSCR103 (450–800 A)



Web Resources

Download technical documents: [Littelfuse.com/L75QS](https://www.littelfuse.com/L75QS)

Note: high-speed fuses are designed for fixed installations. They are not intended for use in moving vehicle applications.

POWR-SPEED® Fuses

L75QS SERIES HIGH-SPEED ROUND BODY

Electrical Specifications

| CATALOG NUMBER | AMPERAGE RATING | VOLTAGE RATING | INTERRUPT RATING | MELTING (PRE-ARC) I ² T (A ² s) | TOTAL CLEARING I ² T (A ² s) | WATTS LOSS AT 80 % RATED CURRENT | WATTS LOSS AT 100 % RATED CURRENT |
|----------------|-----------------|----------------|------------------|---|--|----------------------------------|-----------------------------------|
| | | DC | DC | | 50 KA @ 750 V DC | (W) | (W) |
| L75QS035 | 35 | 750 | 50 kA | 129 | 406 | 5 | 8 |
| L75QS040 | 40 | 750 | 50 kA | 153 | 549 | 6 | 9 |
| L75QS050 | 50 | 750 | 50 kA | 196 | 776 | 6 | 12 |
| L75QS060 | 60 | 750 | 50 kA | 269 | 895 | 9 | 15 |
| L75QS070 | 70 | 750 | 50 kA | 359 | 1,399 | 10 | 20 |
| L75QS080 | 80 | 750 | 50 kA | 452 | 1,841 | 12 | 22 |
| L75QS090 | 90 | 750 | 50 kA | 625 | 2,498 | 13 | 25 |
| L75QS100 | 100 | 750 | 50 kA | 966 | 3,053 | 15 | 30 |
| L75QS125 | 125 | 750 | 50 kA | 2,208 | 7,069 | 13 | 24 |
| L75QS150 | 150 | 750 | 50 kA | 3,026 | 10,401 | 17 | 32 |
| L75QS175 | 175 | 750 | 50 kA | 4,216 | 14,786 | 20 | 38 |
| L75QS200 | 200 | 750 | 50 kA | 5,529 | 20,433 | 22 | 42 |
| L75QS225 | 225 | 750 | 50 kA | 9,226 | 27,520 | 22 | 40 |
| L75QS250 | 250 | 750 | 50 kA | 10,999 | 34,291 | 27 | 46 |
| L75QS300 | 300 | 750 | 50 kA | 16,296 | 49,297 | 31 | 57 |
| L75QS350 | 350 | 750 | 50 kA | 24,778 | 70,696 | 35 | 67 |
| L75QS400 | 400 | 750 | 50 kA | 34,225 | 102,567 | 41 | 79 |
| L75QS450 | 450 | 750 | 50 kA | 38,946 | 119,606 | 45 | 81 |
| L75QS500 | 500 | 750 | 50 kA | 42,747 | 132,252 | 56 | 112 |
| L75QS600 | 600 | 750 | 50 kA | 67,363 | 189,333 | 67 | 138 |
| L75QS700 | 700 | 750 | 50 kA | 99,387 | 302,425 | 72 | 138 |
| L75QS800 | 800 | 750 | 50 kA | 156,137 | 421,500 | 76 | 142 |

Ordering Information

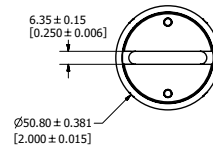
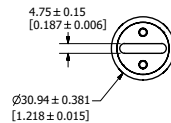
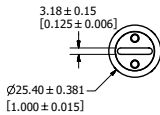
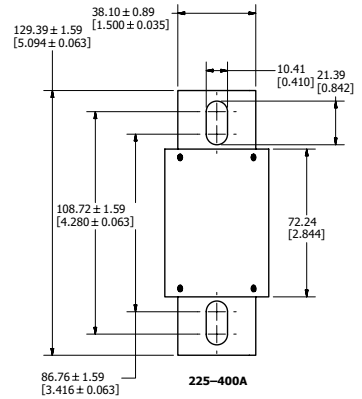
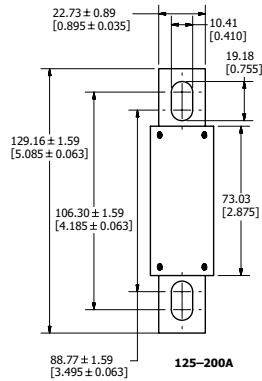
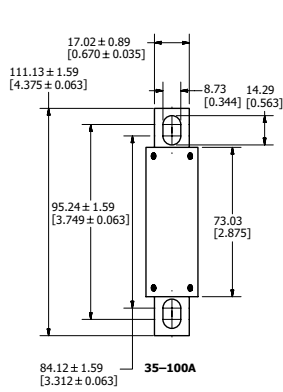
| SERIES | AMPERAGE RATING | AMPERE CODE | CATALOG NUMBER | ORDERING NUMBER | PACK QUANTITY | UPC |
|--------|-----------------|-------------|----------------|-----------------|---------------|-------------|
| L75QS | 35 | 035 | L75QS035 | L75QS035.V | 5 Pcs/ Box | 07945823571 |
| L75QS | 40 | 040 | L75QS040 | L75QS040.V | 5 Pcs/ Box | 07945823572 |
| L75QS | 50 | 050 | L75QS050 | L75QS050.V | 5 Pcs/ Box | 07945823573 |
| L75QS | 60 | 060 | L75QS060 | L75QS060.V | 5 Pcs/ Box | 07945823574 |
| L75QS | 70 | 070 | L75QS070 | L75QS070.V | 5 Pcs/ Box | 07945823575 |
| L75QS | 80 | 080 | L75QS080 | L75QS080.V | 5 Pcs/ Box | 07945823576 |
| L75QS | 90 | 090 | L75QS090 | L75QS090.V | 5 Pcs/ Box | 07945823577 |
| L75QS | 100 | 100 | L75QS100 | L75QS100.V | 5 Pcs/ Box | 07945823578 |
| L75QS | 125 | 125 | L75QS125 | L75QS125.V | 5 Pcs/ Box | 07945823579 |
| L75QS | 150 | 150 | L75QS150 | L75QS150.V | 5 Pcs/ Box | 07945823580 |
| L75QS | 175 | 175 | L75QS175 | L75QS175.V | 5 Pcs/ Box | 07945823581 |
| L75QS | 200 | 200 | L75QS200 | L75QS200.V | 5 Pcs/ Box | 07945823582 |
| L75QS | 225 | 225 | L75QS225 | L75QS225.X | 1 Pc/ Box | 07945823583 |
| L75QS | 250 | 250 | L75QS250 | L75QS250.X | 1 Pc/ Box | 07945823584 |
| L75QS | 300 | 300 | L75QS300 | L75QS300.X | 1 Pc/ Box | 07945823585 |
| L75QS | 350 | 350 | L75QS350 | L75QS350.X | 1 Pc/ Box | 07945823586 |
| L75QS | 400 | 400 | L75QS400 | L75QS400.X | 1 Pc/ Box | 07945823587 |
| L75QS | 450 | 450 | L75QS450 | L75QS450.X | 1 Pc/ Box | 07945823588 |
| L75QS | 500 | 500 | L75QS500 | L75QS500.X | 1 Pc/ Box | 07945823589 |
| L75QS | 600 | 600 | L75QS600 | L75QS600.X | 1 Pc/ Box | 07945823590 |
| L75QS | 700 | 700 | L75QS700 | L75QS700.X | 1 Pc/ Box | 07945823591 |
| L75QS | 800 | 800 | L75QS800 | L75QS800.X | 1 Pc/ Box | 07945823592 |

POWR-SPEED® Fuses

L75QS SERIES HIGH-SPEED ROUND BODY

Dimensions Millimeters [inches]

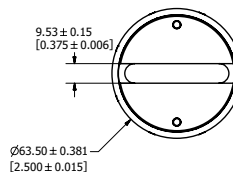
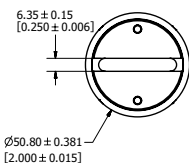
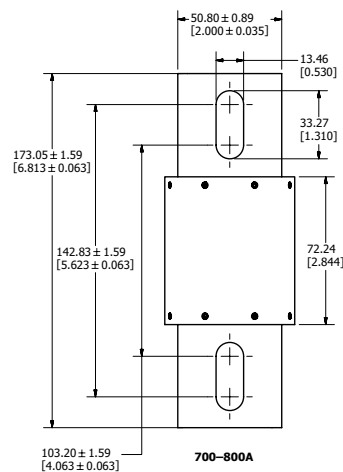
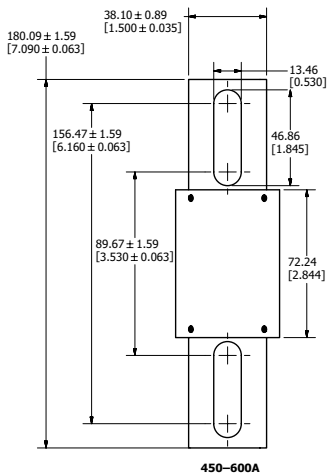
Document Number: OL-L75QS000



Stud Size: M8 (5/16")
Recommended Torque: 15 Nm (132.76 in-lb)

Stud Size: M8 (5/16")
Recommended Torque: 15 Nm (132.76 in-lb)

Stud Size: M8 (5/16")
Recommended Torque: 15 Nm (132.76 in-lb)



Stud Size: M12 (1/2")
Recommended Torque: 54 Nm (477.94 in-lb)

Stud Size: M12 (1/2")
Recommended Torque: 54 Nm (477.94 in-lb)

POWR-SPEED® Fuses

L70QS SERIES HIGH-SPEED ROUND BODY

700 V ac/dc • Very Fast Acting • 35–800 A



Description

The L70QS series is a next generation high-speed fuse for the protection of power semiconductor devices and is designed in the traditional North American bolted style package.

L70QS series high-speed fuses are extremely current limiting and are used to protect power converters, drives and control circuit applications. Designed with lower I^2t performance characteristics, these fuses provide balanced performance to extend longevity while lowering potentially damaging heat energy to the devices being protected.

In addition L70QS series fuses have been designed with a universal mounting option to meet customer requirements for installation into a variety of application configurations

Littelfuse POWR-SPEED products offer optimized circuit protection at the extremely fast speed required to protect modern day, sensitive, high-power semiconductor devices. Such products are commonly found in various industries including pulp and paper industries, cranes and heavy-lifting equipment, processing industries, wastewater treatment plants and large factories and MRO facilities.

Features

- Compliance with US and Canadian requirements
- Traditional North American bolted style dimensions
- Class aR performance
- Direct bus-bar mount or stud mount design
- Halogen free, RoHS and REACH Compliant

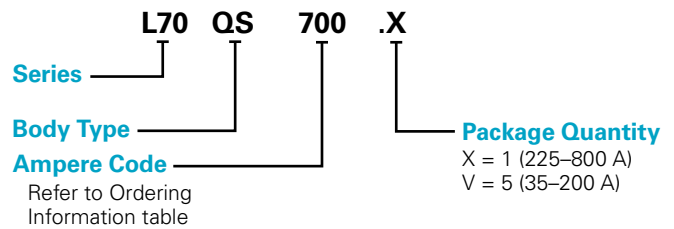
Applications

- Power converters (inverters, rectifiers)
- Power supplies
- UPS
- Variable speed drives
- Control circuits
- Soft starters

Specifications

| | |
|------------------------------|--|
| Voltage Rating | Ac: 700 V Dc: 700 V |
| Amperage Rating | 35–800 A |
| Interrupting Rating | Ac: 200 kA Dc: 50 kA |
| Time Constant | 10 ms |
| Material | Body: melamine Caps: copper alloy (silver plated) |
| Approvals | UL Recognized (E71611) cURus (E71611) |
| Environmental | RoHS Compliant, REACH |
| Country of Origin | Mexico |
| Operating Temperature | -55 °C to +125 °C |
| Storage Temperature | Up to 35 °C with relative humidity <65 % |

Part Numbering System



| SERIES | BODY TYPE | AMPERE CODE | PACKAGE QUANTITY | CATALOG NUMBER | ORDERING NUMBER |
|--------|-----------|-------------|------------------|----------------|-----------------|
| L70 | QS | 700 | 1 | L70QS700 | L70QS700.X |

Recommended Fuse Blocks

- LSCR001 (35–100 A)
- LSCR002 (125–800 A)



Web Resources

Download technical documents: [Littelfuse.com/L70QS](https://www.littelfuse.com/L70QS)

Note: high-speed fuses are designed for fixed installations. They are not intended for use in moving vehicle applications.

POWR-SPEED® Fuses

L70QS SERIES HIGH-SPEED ROUND BODY

Electrical Specifications

| CATALOG NUMBER | AMPERAGE RATING | VOLTAGE RATING | | INTERRUPT RATING | | MELTING (PRE-ARC) I ² T (A ² s) | TOTAL CLEARING I ² T (A ² s) | TOTAL CLEARING I ² T (A ² s) | WATTS LOSS AT 80 % RATED CURRENT | WATTS LOSS AT 100 % RATED CURRENT |
|----------------|-----------------|----------------|-----|------------------|-------|---|--|--|----------------------------------|-----------------------------------|
| | | AC | DC | AC | DC | | 200 kA @ 700 V AC | 50 kA @ 700 V DC | (W) | (W) |
| L70QS035 | 35 | 700 | 700 | 200 kA | 50 kA | 129 | 332 | 308 | 5 | 8 |
| L70QS040 | 40 | 700 | 700 | 200 kA | 50 kA | 153 | 599 | 416 | 6 | 9 |
| L70QS050 | 50 | 700 | 700 | 200 kA | 50 kA | 196 | 711 | 588 | 6 | 12 |
| L70QS060 | 60 | 700 | 700 | 200 kA | 50 kA | 269 | 1,233 | 678 | 9 | 15 |
| L70QS070 | 70 | 700 | 700 | 200 kA | 50 kA | 359 | 1,575 | 1,075 | 10 | 20 |
| L70QS080 | 80 | 700 | 700 | 200 kA | 50 kA | 452 | 2,755 | 1,415 | 12 | 22 |
| L70QS090 | 90 | 700 | 700 | 200 kA | 50 kA | 625 | 3,365 | 1,920 | 13 | 25 |
| L70QS100 | 100 | 700 | 700 | 200 kA | 50 kA | 966 | 3,747 | 2,347 | 15 | 30 |
| L70QS125 | 125 | 700 | 700 | 200 kA | 50 kA | 2,208 | 8,795 | 5,570 | 13 | 24 |
| L70QS150 | 150 | 700 | 700 | 200 kA | 50 kA | 3,026 | 13,650 | 8,195 | 17 | 32 |
| L70QS175 | 175 | 700 | 700 | 200 kA | 50 kA | 4,219 | 19,550 | 11,650 | 20 | 38 |
| L70QS200 | 200 | 700 | 700 | 200 kA | 50 kA | 5,529 | 22,067 | 16,100 | 22 | 42 |
| L70QS225 | 225 | 700 | 700 | 200 kA | 50 kA | 9,226 | 34,900 | 25,400 | 22 | 40 |
| L70QS250 | 250 | 700 | 700 | 200 kA | 50 kA | 10,999 | 43,750 | 31,650 | 27 | 46 |
| L70QS300 | 300 | 700 | 700 | 200 kA | 50 kA | 16,296 | 64,400 | 45,500 | 31 | 57 |
| L70QS350 | 350 | 700 | 700 | 200 kA | 50 kA | 24,778 | 91,500 | 65,250 | 35 | 67 |
| L70QS400 | 400 | 700 | 700 | 200 kA | 50 kA | 34,225 | 110,667 | 94,666 | 41 | 79 |
| L70QS450 | 450 | 700 | 700 | 200 kA | 50 kA | 38,946 | 145,500 | 113,500 | 45 | 81 |
| L70QS500 | 500 | 700 | 700 | 200 kA | 50 kA | 42,747 | 173,000 | 125,500 | 56 | 112 |
| L70QS600 | 600 | 700 | 700 | 200 kA | 50 kA | 67,363 | 220,333 | 179,667 | 67 | 138 |
| L70QS700 | 700 | 700 | 700 | 200 kA | 50 kA | 99,387 | 368,000 | 298,000 | 72 | 138 |
| L70QS800 | 800 | 700 | 700 | 200 kA | 50 kA | 156,137 | 466,333 | 415,333 | 76 | 142 |

Ordering Information

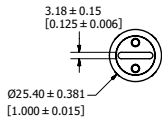
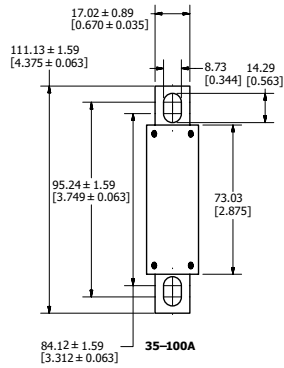
| SERIES | AMPERAGE RATING | AMPERE CODE | CATALOG NUMBER | ORDERING NUMBER | PACK QUANTITY | UPC |
|--------|-----------------|-------------|----------------|-----------------|---------------|-------------|
| L70QS | 35 | 035 | L70QS035 | L70QS035.V | 5 Pcs/ Box | 07945886015 |
| L70QS | 40 | 040 | L70QS040 | L70QS040.V | 5 Pcs/ Box | 07945886016 |
| L70QS | 50 | 050 | L70QS050 | L70QS050.V | 5 Pcs/ Box | 07945886017 |
| L70QS | 60 | 060 | L70QS060 | L70QS060.V | 5 Pcs/ Box | 07945886018 |
| L70QS | 70 | 070 | L70QS070 | L70QS070.V | 5 Pcs/ Box | 07945886019 |
| L70QS | 80 | 080 | L70QS080 | L70QS080.V | 5 Pcs/ Box | 07945886020 |
| L70QS | 90 | 090 | L70QS090 | L70QS090.V | 5 Pcs/ Box | 07945886021 |
| L70QS | 100 | 100 | L70QS100 | L70QS100.V | 5 Pcs/ Box | 07945886022 |
| L70QS | 125 | 125 | L70QS125 | L70QS125.V | 5 Pcs/ Box | 07945886023 |
| L70QS | 150 | 150 | L70QS150 | L70QS150.V | 5 Pcs/ Box | 07945886024 |
| L70QS | 175 | 175 | L70QS175 | L70QS175.V | 5 Pcs/ Box | 07945886025 |
| L70QS | 200 | 200 | L70QS200 | L70QS200.V | 5 Pcs/ Box | 07945886026 |
| L70QS | 225 | 225 | L70QS225 | L70QS225.X | 1 Pc/ Box | 07945886027 |
| L70QS | 250 | 250 | L70QS250 | L70QS250.X | 1 Pc/ Box | 07945886028 |
| L70QS | 300 | 300 | L70QS300 | L70QS300.X | 1 Pc/ Box | 07945886029 |
| L70QS | 350 | 350 | L70QS350 | L70QS350.X | 1 Pc/ Box | 07945886030 |
| L70QS | 400 | 400 | L70QS400 | L70QS400.X | 1 Pc/ Box | 07945886031 |
| L70QS | 450 | 450 | L70QS450 | L70QS450.X | 1 Pc/ Box | 07945886032 |
| L70QS | 500 | 500 | L70QS500 | L70QS500.X | 1 Pc/ Box | 07945886033 |
| L70QS | 600 | 600 | L70QS600 | L70QS600.X | 1 Pc/ Box | 07945886034 |
| L70QS | 700 | 700 | L70QS700 | L70QS700.X | 1 Pc/ Box | 07945886035 |
| L70QS | 800 | 800 | L70QS800 | L70QS800.X | 1 Pc/ Box | 07945886036 |

POWR-SPEED® Fuses

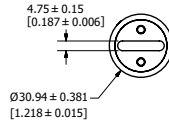
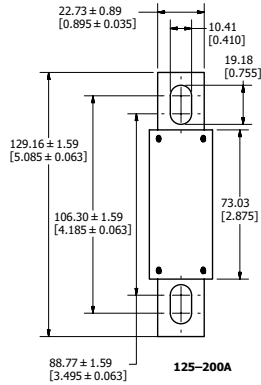
L70QS SERIES HIGH-SPEED ROUND BODY

Dimensions Millimeters [inches]

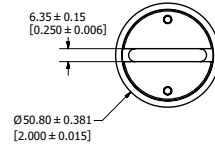
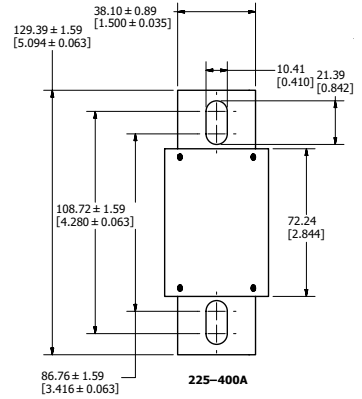
Document Number: OL-L70QS000



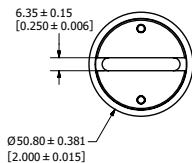
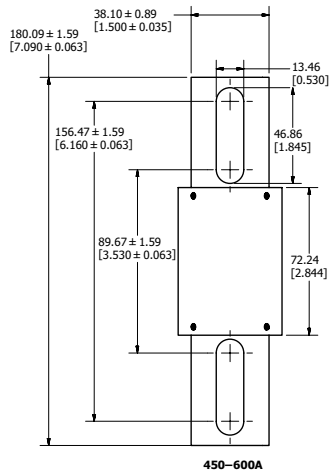
Stud Size: M8 (5/16")
Recommended Torque: 15 Nm (132.76 in-lb)



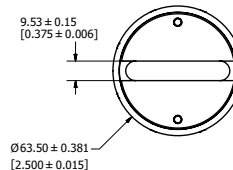
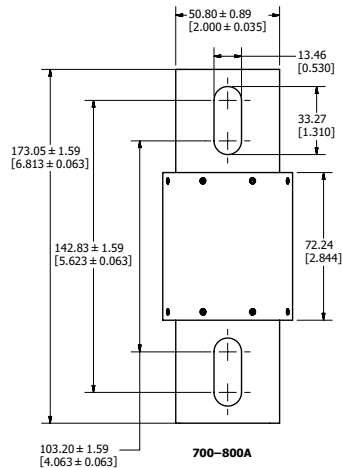
Stud Size: M8 (5/16")
Recommended Torque: 15 Nm (132.76 in-lb)



Stud Size: M8 (5/16")
Recommended Torque: 15 Nm (132.76 in-lb)



Stud Size: M12 (1/2")
Recommended Torque: 54 Nm (477.94 in-lb)



Stud Size: M12 (1/2")
Recommended Torque: 54 Nm (477.94 in-lb)

POWR-SPEED® Fuses

L50QS SERIES HIGH-SPEED ROUND BODY

500 V ac/dc • Very Fast Acting • 35–800 A



Description

The L50QS series is a next generation high-speed fuse for the protection of power semiconductor devices and is designed in the traditional North American bolted style package.

L50QS series high-speed fuses are extremely current limiting and are used to protect power converters, drives and control circuit applications. Designed with lower I^2t performance characteristics, these fuses provide balanced performance to extend longevity while lowering potentially damaging heat energy to the devices being protected.

In addition L50QS series fuses have been designed with a universal mounting option to meet customer requirements for installation into a variety of application configurations

Littelfuse POWR-SPEED products offer optimized circuit protection at the extremely fast speed required to protect modern day, sensitive, high-power semiconductor devices. Such products are commonly found in various industries including pulp and paper industries, cranes and heavy-lifting equipment, processing industries, wastewater treatment plants and large factories and MRO facilities.

Features

- Compliance with US and Canadian requirements
- Traditional North American bolted style dimensions
- Class aR performance
- Direct bus-bar mount or stud mount design
- Halogen free, RoHS and REACH Compliant

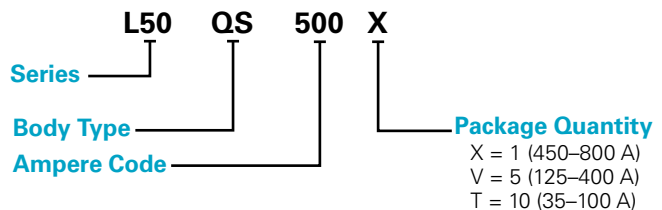
Applications

- Power converters (inverters, rectifiers)
- Power supplies
- UPS
- Variable speed drives
- Control circuits
- Soft starters

Specifications

| | |
|------------------------------|--|
| Voltage Rating | Ac: 500 V Dc: 500 V |
| Amperage Rating | 35–800 A |
| Interrupting Rating | Ac: 200 kA Dc: 50 kA |
| Time Constant | 10 ms |
| Material | Body: melamine Caps: copper alloy (silver plated) |
| Approvals | UL Recognized (E71611) cURus (E71611) |
| Environmental | RoHS Compliant, REACH |
| Country of Origin | Mexico |
| Operating Temperature | -55 °C to +125 °C |
| Storage Temperature | Up to 35 °C with relative humidity <65 % |

Part Numbering System



| SERIES | BODY TYPE | AMPERE CODE | PACKAGE QUANTITY | CATALOG NUMBER | ORDERING NUMBER |
|--------|-----------|-------------|------------------|----------------|-----------------|
| L50 | QS | 500 | 1 | L50QS500 | L50QS500.X |

Recommended Fuse Blocks

LSCR001 (35–200A)
LSCR002 (225–800A)



Web Resources

Download technical documents: [Littelfuse.com/L50QS](https://www.littelfuse.com/L50QS)

Note: high-speed fuses are designed for fixed installations. They are not intended for use in moving vehicle applications.

POWR-SPEED® Fuses

L50QS SERIES HIGH-SPEED ROUND BODY

Electrical Specifications

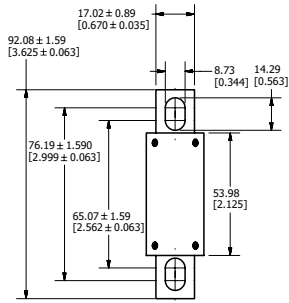
| CATALOG NUMBER | AMPERAGE RATING | VOLTAGE RATING | | INTERRUPT RATING | | MELTING (PRE-ARC) I ² T (A ² s) | TOTAL CLEARING I ² T (A ² s) | TOTAL CLEARING I ² T (A ² s) | WATTS LOSS AT 80 % RATED CURRENT | WATTS LOSS AT 100 % RATED CURRENT |
|----------------|-----------------|----------------|-----|------------------|-------|---|--|--|----------------------------------|-----------------------------------|
| | | AC | DC | AC | DC | | 200 KA @ 500 V AC | 50 KA @ 500 V DC | (W) | (W) |
| L50QS035 | 35 | 500 | 500 | 200 kA | 50 kA | 111 | 430 | 290 | 3 | 5 |
| L50QS040 | 40 | 500 | 500 | 200 kA | 50 kA | 137 | 530 | 363 | 3 | 9 |
| L50QS050 | 50 | 500 | 500 | 200 kA | 50 kA | 211 | 770 | 516 | 5 | 8 |
| L50QS060 | 60 | 500 | 500 | 200 kA | 50 kA | 269 | 1,500 | 881 | 5 | 9 |
| L50QS070 | 70 | 500 | 500 | 200 kA | 50 kA | 393 | 1,775 | 1,185 | 6 | 11 |
| L50QS080 | 80 | 500 | 500 | 200 kA | 50 kA | 616 | 3,550 | 1,720 | 6 | 11 |
| L50QS090 | 90 | 500 | 500 | 200 kA | 50 kA | 720 | 4,075 | 1,990 | 8 | 14 |
| L50QS100 | 100 | 500 | 500 | 200 kA | 50 kA | 905 | 4,577 | 2,313 | 9 | 17 |
| L50QS125 | 125 | 500 | 500 | 200 kA | 50 kA | 1,503 | 7,655 | 4,815 | 10 | 17 |
| L50QS150 | 150 | 500 | 500 | 200 kA | 50 kA | 2,382 | 11,100 | 7,190 | 12 | 21 |
| L50QS175 | 175 | 500 | 500 | 200 kA | 50 kA | 3,148 | 16,500 | 9,900 | 14 | 25 |
| L50QS200 | 200 | 500 | 500 | 200 kA | 50 kA | 4,102 | 18,233 | 11,567 | 17 | 32 |
| L50QS225 | 225 | 500 | 500 | 200 kA | 50 kA | 5,379 | 25,300 | 16,700 | 19 | 35 |
| L50QS250 | 250 | 500 | 500 | 200 kA | 50 kA | 7,094 | 31,350 | 22,500 | 20 | 37 |
| L50QS275 | 275 | 500 | 500 | 200 kA | 50 kA | 9,655 | 40,175 | 30,177 | 21 | 39 |
| L50QS300 | 300 | 500 | 500 | 200 kA | 50 kA | 11,240 | 53,800 | 36,150 | 25 | 46 |
| L50QS325 | 325 | 500 | 500 | 200 kA | 50 kA | 13,183 | 56,250 | 41,000 | 27 | 51 |
| L50QS350 | 350 | 500 | 500 | 200 kA | 50 kA | 14,246 | 68,850 | 44,800 | 30 | 61 |
| L50QS400 | 400 | 500 | 500 | 200 kA | 50 kA | 21,155 | 100,300 | 67,300 | 33 | 65 |
| L50QS450 | 450 | 500 | 500 | 200 kA | 50 kA | 26,425 | 121,000 | 84,650 | 35 | 63 |
| L50QS500 | 500 | 500 | 500 | 200 kA | 50 kA | 31,747 | 141,000 | 103,500 | 39 | 72 |
| L50QS600 | 600 | 500 | 500 | 200 kA | 50 kA | 43,922 | 193,500 | 128,000 | 49 | 92 |
| L50QS700 | 700 | 500 | 500 | 200 kA | 50 kA | 75,597 | 314,000 | 230,000 | 51 | 92 |
| L50QS800 | 800 | 500 | 500 | 200 kA | 50 kA | 92,717 | 393,500 | 280,000 | 63 | 117 |

POWR-SPEED® Fuses

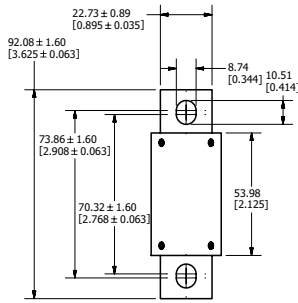
L50QS SERIES HIGH-SPEED ROUND BODY

Dimensions Millimeters [inches]

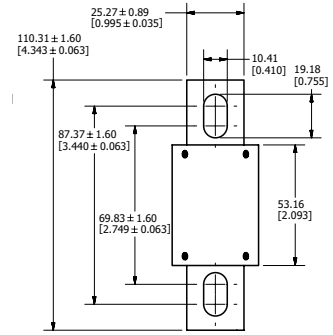
Document Number: OL-L50QS000



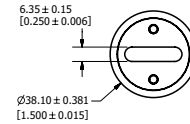
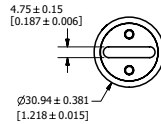
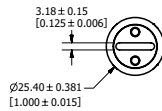
35-100A



125-200A



225-400A



Stud Size: M8 (5/16")

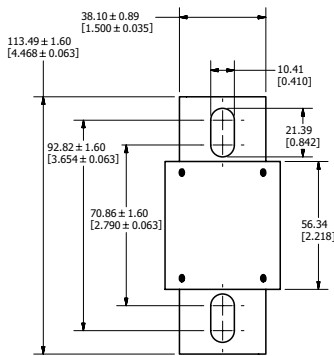
Recommended Torque: 15 Nm (132.76 in-lb)

Stud Size: M8 (5/16")

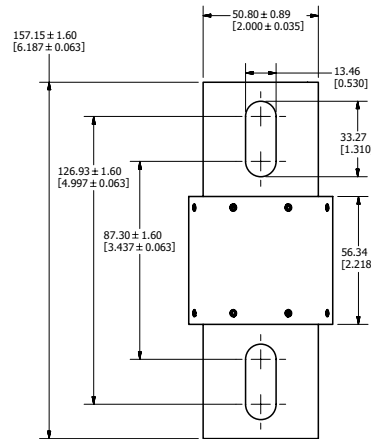
Recommended Torque: 15 Nm (132.76 in-lb)

Stud Size: M8 (5/16")

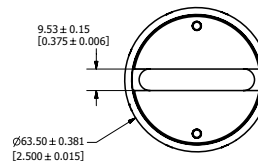
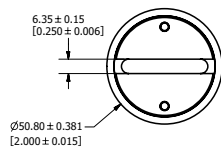
Recommended Torque: 15 Nm (132.76 in-lb)



450-600A



700-800A



Stud Size: M8 (5/16")

Recommended Torque: 15 Nm (132.76 in-lb)

Stud Size: M12 (1/2")

Recommended Torque: 54 Nm (477.94 in-lb)

POWR-SPEED® Fuses

L50QS SERIES HIGH-SPEED ROUND BODY

Ordering Information

| SERIES | AMPERAGE RATING | AMPERE CODE | CATALOG NUMBER | ORDERING NUMBER | PACK QUANTITY | UPC |
|--------|-----------------|-------------|----------------|-----------------|---------------|-------------|
| L50QS | 35 | 035 | L50QS035 | L50QS035.T | 10 Pcs/ Box | 07945885991 |
| L50QS | 40 | 040 | L50QS040 | L50QS040.T | 10 Pcs/ Box | 07945885992 |
| L50QS | 50 | 050 | L50QS050 | L50QS050.T | 10 Pcs/ Box | 07945885993 |
| L50QS | 60 | 060 | L50QS060 | L50QS060.T | 10 Pcs/ Box | 07945885994 |
| L50QS | 70 | 070 | L50QS070 | L50QS070.T | 10 Pcs/ Box | 07945885995 |
| L50QS | 80 | 080 | L50QS080 | L50QS080.T | 10 Pcs/ Box | 07945885996 |
| L50QS | 90 | 090 | L50QS090 | L50QS090.T | 10 Pcs/ Box | 07945885997 |
| L50QS | 100 | 100 | L50QS100 | L50QS100.T | 10 Pcs/ Box | 07945885998 |
| L50QS | 125 | 125 | L50QS125 | L50QS125.V | 5 Pcs/ Box | 07945885999 |
| L50QS | 150 | 150 | L50QS150 | L50QS150.V | 5 Pcs/ Box | 07945886000 |
| L50QS | 175 | 175 | L50QS175 | L50QS175.V | 5 Pcs/ Box | 07945886001 |
| L50QS | 200 | 200 | L50QS200 | L50QS200.V | 5 Pcs/ Box | 07945886002 |
| L50QS | 225 | 225 | L50QS225 | L50QS225.V | 5 Pcs/ Box | 07945886003 |
| L50QS | 250 | 250 | L50QS250 | L50QS250.V | 5 Pcs/ Box | 07945886004 |
| L50QS | 275 | 275 | L50QS275 | L50QS275.V | 5 Pcs/ Box | 07945886005 |
| L50QS | 300 | 300 | L50QS300 | L50QS300.V | 5 Pcs/ Box | 07945886006 |
| L50QS | 325 | 325 | L50QS325 | L50QS325.V | 5 Pcs/ Box | 07945886011 |
| L50QS | 350 | 350 | L50QS350 | L50QS350.V | 5 Pcs/ Box | 07945886007 |
| L50QS | 400 | 400 | L50QS400 | L50QS400.V | 5 Pcs/ Box | 07945886008 |
| L50QS | 450 | 450 | L50QS450 | L50QS450.X | 1 Pc/ Box | 07945886009 |
| L50QS | 500 | 500 | L50QS500 | L50QS500.X | 1 Pc/ Box | 07945886010 |
| L50QS | 600 | 600 | L50QS600 | L50QS600.X | 1 Pc/ Box | 07945886012 |
| L50QS | 700 | 700 | L50QS700 | L50QS700.X | 1 Pc/ Box | 07945886013 |
| L50QS | 800 | 800 | L50QS800 | L50QS800.X | 1 Pc/ Box | 07945886014 |

POWR-SPEED® Fuses

L70S SERIES HIGH-SPEED ROUND BODY

700 V ac • Very Fast Acting • 650 V dc • 10–800 A



Description

Littelfuse L70S series high-speed fuses are designed to protect today's equipment and systems, and are manufactured with Littelfuse-developed technology that sets tomorrow's standards for accuracy, consistent quality, reliability, and predictable performance.

Littelfuse engineers have redefined high-speed fuse technology by using advanced metallurgical, polymer, and materials research, mathematical modeling, and computerized statistical analysis.

Features/Benefits

- Extremely current limiting
- Low watt losses
- Controlled transient over-voltages
- UL Recognized

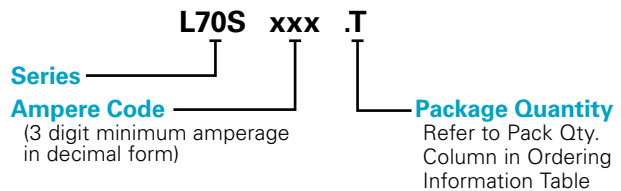
Applications

- Ac and dc drives
- Dc common bus protection
- Power converters
- UPS
- Soft-starters

Specifications

| | |
|------------------------------|---|
| Voltage Rating | 700 V ac 650 V dc |
| Amperage Rating | 10, 15, 20, 25, 30, 35, 40, 50, 60, 70, 80, 90, 100, 125, 150, 175, 200, 225, 250, 300, 350, 400, 450, 500, 600, 700, 800 |
| Interrupting Rating | Ac: 200 kAIC Dc: 20 kAIC |
| Material | Body: melamine Terminals: copper (silver plated) |
| Mounting Type | Cylindrical (10–0 A) Bolted tags (35–800 A) |
| Operating Temperature | -55 °C to +125 °C |
| Storage Temperature | Up to 35 °C with relative humidity < 65 % |
| Approvals | UL Recognized (File: E71611) CSA Recognized (File: LR29862) |
| Environmental | RoHS Compliant |
| Country of Origin | Mexico |

Part Numbering System



| SERIES | AMP | CATALOG NUMBER | ORDERING NUMBER |
|--------|-----|----------------|-----------------|
| L70S | 10 | L70S010 | L70S010.T |
| L70S | 500 | L70S500 | L70S500.X |

Recommended Fuse Block

LSCR001 (35–100 A)
LSCR002 (125–800 A)
107/127 Series (10–30A)

Web Resources

Download technical documents: [Littelfuse.com/L70S](https://www.littelfuse.com/L70S)

Note: high-speed fuses are designed for fixed installations. They are not intended for use in moving vehicle applications.

POWR-SPEED® Fuses

L70S SERIES HIGH-SPEED ROUND BODY

Electrical Specifications

| CATALOG NUMBER | AMPERAGE RATING | VOLTAGE RATING | | INTERRUPT RATING | | MELTING (PRE-ARC) I ² T (A ² s) | TOTAL CLEARING I ² T (A ² s) | TOTAL CLEARING I ² T (A ² s) | TOTAL CLEARING I ² T (A ² s) | WATTS LOSS AT 100 % RATED CURRENT | WATTS LOSS AT 80 % RATED CURRENT |
|----------------|-----------------|----------------|-----|------------------|-------|---|--|--|--|-----------------------------------|----------------------------------|
| | | AC | DC | AC | DC | | 100 kA @ 700 V AC | 200 kA @ 700 V AC | 20 kA @ 650 V DC | (W) | (W) |
| L70S010 | 10 | 700 | 650 | 200 kA | 20 kA | 21 | 160 | 173 | 346 | 2 | 1 |
| L70S015 | 15 | 700 | 650 | 200 kA | 20 kA | 34 | 330 | 355 | 270 | 2 | 2 |
| L70S020 | 20 | 700 | 650 | 200 kA | 20 kA | 48 | 550 | 599 | 300 | 5 | 2 |
| L70S025 | 25 | 700 | 650 | 200 kA | 20 kA | 62 | 810 | 900 | 340 | 7 | 4 |
| L70S030 | 30 | 700 | 650 | 200 kA | 20 kA | 77 | 1,130 | 1,220 | 417 | 10 | 5 |
| L70S035 | 35 | 700 | 650 | 200 kA | 20 kA | 110 | 1,470 | 1,500 | 500 | 12 | 6 |
| L70S040 | 40 | 700 | 650 | 200 kA | 20 kA | 150 | 1,830 | 2,000 | 660 | 13 | 7 |
| L70S050 | 50 | 700 | 650 | 200 kA | 20 kA | 250 | 2,670 | 3,200 | 1,070 | 16 | 9 |
| L70S060 | 60 | 700 | 650 | 200 kA | 20 kA | 380 | 3,646 | 4,674 | 1,572 | 18 | 9 |
| L70S070 | 70 | 700 | 650 | 200 kA | 20 kA | 545 | 4,800 | 6,000 | 1,970 | 16 | 9 |
| L70S080 | 80 | 700 | 650 | 200 kA | 20 kA | 745 | 6,180 | 7,550 | 2,380 | 21 | 11 |
| L70S090 | 90 | 700 | 650 | 200 kA | 20 kA | 990 | 7,650 | 9,250 | 2,830 | 25 | 13 |
| L70S100 | 100 | 700 | 650 | 200 kA | 20 kA | 1,266 | 9,407 | 11,117 | 3,266 | 29 | 14 |
| L70S125 | 125 | 700 | 650 | 200 kA | 20 kA | 2,150 | 14,700 | 17,550 | 4,900 | 33 | 17 |
| L70S150 | 150 | 700 | 650 | 200 kA | 20 kA | 3,280 | 21,250 | 25,700 | 6,800 | 51 | 24 |
| L70S175 | 175 | 700 | 650 | 200 kA | 20 kA | 4,700 | 28,750 | 34,800 | 9,000 | 63 | 28 |
| L70S200 | 200 | 700 | 650 | 200 kA | 20 kA | 6,411 | 37,300 | 45,583 | 11,447 | 75 | 33 |
| L70S225 | 225 | 700 | 650 | 200 kA | 20 kA | 8,000 | 46,500 | 57,000 | 16,000 | 43 | 24 |
| L70S250 | 250 | 700 | 650 | 200 kA | 20 kA | 9,900 | 58,000 | 69,500 | 22,000 | 49 | 27 |
| L70S300 | 300 | 700 | 650 | 200 kA | 20 kA | 14,000 | 83,000 | 97,700 | 37,500 | 60 | 33 |
| L70S350 | 350 | 700 | 650 | 200 kA | 20 kA | 19,000 | 113,000 | 131,000 | 59,000 | 71 | 36 |
| L70S400 | 400 | 700 | 650 | 200 kA | 20 kA | 24,373 | 147,290 | 169,000 | 87,875 | 107 | 49 |
| L70S450 | 450 | 700 | 650 | 200 kA | 20 kA | 33,000 | 191,000 | 219,000 | 119,000 | 85 | 47 |
| L70S500 | 500 | 700 | 650 | 200 kA | 20 kA | 44,200 | 240,000 | 275,000 | 155,000 | 92 | 49 |
| L70S600 | 600 | 700 | 650 | 200 kA | 20 kA | 72,000 | 370,250 | 405,000 | 246,182 | 106 | 56 |
| L70S700 | 700 | 700 | 650 | 200 kA | 20 kA | 110,000 | 526,000 | 573,000 | 255,000 | 128 | 67 |
| L70S800 | 800 | 700 | 650 | 200 kA | 20 kA | 157,082 | 735,330 | 762,333 | 262,949 | 156 | 78 |

POWR-SPEED® Fuses

L70S SERIES HIGH-SPEED ROUND BODY

Ordering Information

| SERIES | AMPERAGE RATING | AMP CODE | CATALOG NUMBER | ORDERING NUMBER | PACK QUANTITY | UPC |
|--------|-----------------|----------|----------------|-----------------|---------------|-------------|
| L70S | 10 | 010 | L70S010 | L70S010.T | 10 Pcs/ Box | 07945810161 |
| L70S | 15 | 015 | L70S015 | L70S015.T | 10 Pcs/ Box | 07945810163 |
| L70S | 20 | 020 | L70S020 | L70S020.T | 10 Pcs/ Box | 07945810164 |
| L70S | 25 | 025 | L70S025 | L70S025.T | 10 Pcs/ Box | 07945810165 |
| L70S | 30 | 030 | L70S030 | L70S030.T | 10 Pcs/ Box | 07945810166 |
| L70S | 35 | 035 | L70S035 | L70S035.T | 10 Pcs/ Box | 07945810152 |
| L70S | 40 | 040 | L70S040 | L70S040.T | 10 Pcs/ Box | 07945810167 |
| L70S | 50 | 050 | L70S050 | L70S050.T | 10 Pcs/ Box | 07945810168 |
| L70S | 60 | 060 | L70S060 | L70S060.T | 10 Pcs/ Box | 07945810169 |
| L70S | 70 | 070 | L70S070 | L70S070.V | 5 Pcs/ Box | 07945810170 |
| L70S | 80 | 080 | L70S080 | L70S080.V | 5 Pcs/ Box | 07945810171 |
| L70S | 90 | 090 | L70S090 | L70S090.V | 5 Pcs/ Box | 07945810172 |
| L70S | 100 | 100 | L70S100 | L70S100.V | 5 Pcs/ Box | 07945810173 |
| L70S | 125 | 125 | L70S125 | L70S125.V | 5 Pcs/ Box | 07945810174 |
| L70S | 150 | 150 | L70S150 | L70S150.V | 5 Pcs/ Box | 07945810175 |
| L70S | 175 | 175 | L70S175 | L70S175.V | 5 Pcs/ Box | 07945810176 |
| L70S | 200 | 200 | L70S200 | L70S200.V | 5 Pcs/ Box | 07945810177 |
| L70S | 225 | 225 | L70S225 | L70S225.V | 5 Pcs/ Box | 07945810188 |
| L70S | 250 | 250 | L70S250 | L70S250.V | 5 Pcs/ Box | 07945810178 |
| L70S | 300 | 300 | L70S300 | L70S300.V | 5 Pcs/ Box | 07945810179 |
| L70S | 350 | 350 | L70S350 | L70S350.V | 5 Pcs/ Box | 07945810180 |
| L70S | 400 | 400 | L70S400 | L70S400.V | 5 Pcs/ Box | 07945810181 |
| L70S | 450 | 450 | L70S450 | L70S450.X | 1 Pc/ Box | 07945810182 |
| L70S | 500 | 500 | L70S500 | L70S500.X | 1 Pc/ Box | 07945810183 |
| L70S | 600 | 600 | L70S600 | L70S600.X | 1 Pc/ Box | 07945810184 |
| L70S | 700 | 700 | L70S700 | L70S700.X | 1 Pc/ Box | 07945810185 |
| L70S | 800 | 800 | L70S800 | L70S800.X | 1 Pc/ Box | 07945810186 |

Dimensions

| AMPERE RATING | FIGURE NO. | DIMENSIONS INCHES (mm) | | | | | | | | | |
|---------------|------------|------------------------|-----------------|-----------------|----------------|---------------|--------------|--------------|------------|------------|--|
| | | A | B | C | D | E | F | G | H | J | |
| 10 – 30 | 1 | 2 (50.8) | — | ½ (12.7) | ⅞ (14.3) | — | — | — | — | — | |
| 31 – 60 | 2 | 2 ⅞ (73.0) | 3 ⅞ (87.3) | 3 ¾ (95.2) | 4 ⅜ (111.1) | 1 (25.4) | 43/64 (17.1) | 1 ½ (8.7) | ⅛ (3.2) | — | |
| 61 – 100 | 2 | 2 ⅞ (73.0) | 3 9/16 (90.5) | 3 11/16 (93.7) | 4 ⅜ (111.1) | 1 7/32 (31.0) | 29/32 (22.9) | 5/16 (7.9) | 3/16 (4.8) | — | |
| 101 – 200 | 2 | 2 27/32 (72.2) | 3 17/32 (89.7) | 4 5/32 (105.6) | 5 3/32 (129.4) | 1 ½ (38.1) | 1 (25.4) | 13/32 (10.3) | ¼ (6.4) | — | |
| 201 – 400 | 2 | 2 27/32 (72.2) | 3 17/32 (89.7) | 4 5/32 (105.6) | 5 3/32 (129.4) | 2 (50.8) | 1 ½ (38.1) | 13/32 (10.3) | ¼ (6.4) | — | |
| 401 – 600 | 2 | 2 27/32 (72.2) | 4 29/32 (124.6) | 5 ¼ (133.4) | 7 3/32 (180.2) | 2 ½ (63.5) | 2 (50.8) | 17/32 (13.5) | 3/8 (9.5) | — | |
| 601 – 800 | 3 | 3 5/16 (84.1) | 5 5/16 (134.9) | 6 13/16 (173.0) | — | 2 ⅞ (73.0) | 2 (50.8) | 5/8 (15.9) | 3/8 (9.5) | 5/16 (7.9) | |

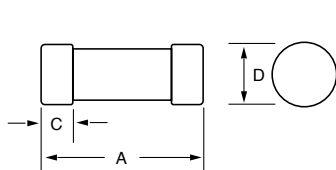


Figure 1

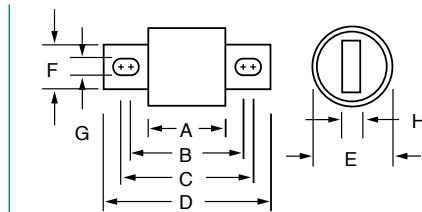


Figure 2

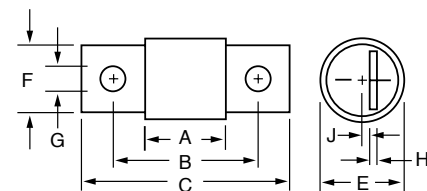


Figure 3

POWR-SPEED® Fuses

L50S SERIES HIGH-SPEED ROUND BODY

500 V ac • 450 V dc • Very Fast Acting • 10–800 A



Description

Littelfuse L50S series high-speed fuses are designed to protect today's equipment and systems, and are manufactured with Littelfuse-developed technology that sets tomorrow's standards for accuracy, consistent quality, reliability, and predictable performance.

Littelfuse engineers have redefined high-speed fuse technology by using advanced metallurgical, polymer, and materials research, mathematical modeling, and computerized statistical analysis.

Features/Benefits

- Extremely current limiting
- Low watt losses
- Controlled transient over-voltages
- UL Recognized

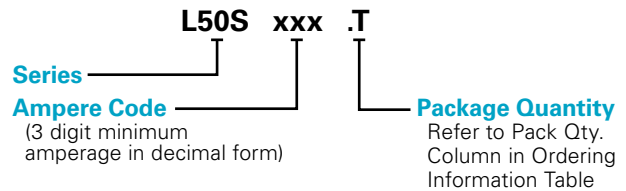
Applications

- Ac and dc drives
- Dc common bus protection
- Power converters
- UPS
- Soft-starters

Specifications

| | |
|------------------------------|---|
| Voltage Rating | 500 V ac 450 V dc |
| Amperage Rating | 10, 12, 15, 20, 25, 30, 35, 40, 50, 60, 70, 80, 90, 100, 125, 150, 175, 200, 225, 250, 275, 300, 350, 400, 450, 500, 550, 600, 700, 800 |
| Interrupting Rating | Ac: 200 kAIC Dc: 20 kAIC |
| Material | Body: melamine Terminals: copper (silver plated) |
| Mounting Type | Cylindrical (10–30 A) Bolted tags (35–800 A) |
| Operating Temperature | -55 °C to +125 °C |
| Storage Temperature | Up to 35 °C with relative humidity less than 65% |
| Approvals | UL Recognized (File: E71611) CSA Recognized (File: LR29862) |
| Environmental | RoHS Compliant |
| Country of Origin | Mexico |

Part Numbering System



| SERIES | AMP | CATALOG NUMBER | ORDERING NUMBER |
|--------|-----|----------------|-----------------|
| L50S | 10 | L50S010 | L50S010.T |
| L50S | 500 | L50S500 | L50S500.X |

Recommended Fuse Holder

LSCR001 (35–200 A)
LSCR002 (225–800 A)
107/127 Series (10–30A)

Web Resources

Download technical documents: [Littelfuse.com/L50S](https://www.littelfuse.com/L50S)

Note: high-speed fuses are designed for fixed installations. They are not intended for use in moving vehicle applications.

POWR-SPEED® Fuses

L50S SERIES HIGH-SPEED ROUND BODY

Electrical Specifications

| CATALOG NUMBER | AMPERAGE RATING | VOLTAGE RATING | | INTERRUPT RATING | | MELTING (PRE-ARC) I ² T (A ² s) | TOTAL CLEARING I ² T (A ² s) | TOTAL CLEARING I ² T (A ² s) | TOTAL CLEARING I ² T (A ² s) | WATTS LOSS AT 100 % RATED CURRENT | WATTS LOSS AT 80 % RATED CURRENT |
|----------------|-----------------|----------------|-----|------------------|-------|---|--|--|--|-----------------------------------|----------------------------------|
| | | AC | DC | AC | DC | | 100 kA @ 500 V AC | 200 kA @ 500 V AC | 20 kA @ 450 V DC | (W) | (W) |
| L50S010 | 10 | 500 | 450 | 200 kA | 20 kA | 21 | 112 | 128 | 85 | 2 | 1 |
| L50S012 | 12 | 500 | 450 | 200 kA | 20 kA | 26 | 149 | 170 | 97 | 2 | 1 |
| L50S015 | 15 | 500 | 450 | 200 kA | 20 kA | 34 | 222 | 250 | 116 | 2 | 2 |
| L50S020 | 20 | 500 | 450 | 200 kA | 20 kA | 48 | 363 | 400 | 143 | 5 | 3 |
| L50S025 | 25 | 500 | 450 | 200 kA | 20 kA | 62 | 528 | 600 | 170 | 7 | 4 |
| L50S030 | 30 | 500 | 450 | 200 kA | 20 kA | 77 | 707 | 820 | 193 | 10 | 5 |
| L50S035 | 35 | 500 | 450 | 200 kA | 20 kA | 130 | 1,120 | 1,210 | 400 | 6 | 3 |
| L50S040 | 40 | 500 | 450 | 200 kA | 20 kA | 161 | 1,420 | 1,550 | 525 | 7 | 4 |
| L50S050 | 50 | 500 | 450 | 200 kA | 20 kA | 222 | 2,150 | 2,360 | 867 | 11 | 6 |
| L50S060 | 60 | 500 | 450 | 200 kA | 20 kA | 259 | 3,016 | 3,300 | 1,287 | 13 | 7 |
| L50S070 | 70 | 500 | 450 | 200 kA | 20 kA | 420 | 4,100 | 4,930 | 1,670 | 17 | 10 |
| L50S080 | 80 | 500 | 450 | 200 kA | 20 kA | 554 | 5,300 | 6,950 | 2,240 | 19 | 10 |
| L50S090 | 90 | 500 | 450 | 200 kA | 20 kA | 677 | 6,750 | 9,500 | 2,900 | 24 | 13 |
| L50S100 | 100 | 500 | 450 | 200 kA | 20 kA | 807 | 8,273 | 12,600 | 3,626 | 30 | 16 |
| L50S125 | 125 | 500 | 450 | 200 kA | 20 kA | 1,290 | 13,100 | 19,000 | 5,150 | 22 | 12 |
| L50S150 | 150 | 500 | 450 | 200 kA | 20 kA | 2,504 | 19,100 | 26,500 | 6,700 | 27 | 15 |
| L50S175 | 175 | 500 | 450 | 200 kA | 20 kA | 3,224 | 26,300 | 35,000 | 8,700 | 33 | 17 |
| L50S200 | 200 | 500 | 450 | 200 kA | 20 kA | 3,938 | 34,233 | 44,583 | 11,297 | 35 | 19 |
| L50S225 | 225 | 500 | 450 | 200 kA | 20 kA | 6,034 | 43,500 | 56,000 | 14,750 | 31 | 17 |
| L50S250 | 250 | 500 | 450 | 200 kA | 20 kA | 7,510 | 54,000 | 69,000 | 19,600 | 36 | 19 |
| L50S275 | 275 | 500 | 450 | 200 kA | 20 kA | 9,000 | 65,500 | 82,000 | 25,500 | 41 | 22 |
| L50S300 | 300 | 500 | 450 | 200 kA | 20 kA | 10,808 | 78,500 | 97,500 | 32,200 | 42 | 23 |
| L50S350 | 350 | 500 | 450 | 200 kA | 20 kA | 16,500 | 107,000 | 132,000 | 50,100 | 50 | 28 |
| L50S400 | 400 | 500 | 450 | 200 kA | 20 kA | 22,941 | 142,333 | 169,667 | 72,270 | 58 | 30 |
| L50S450 | 450 | 500 | 450 | 200 kA | 20 kA | 29,300 | 178,500 | 208,000 | 95,000 | 58 | 32 |
| L50S500 | 500 | 500 | 450 | 200 kA | 20 kA | 37,000 | 220,000 | 250,000 | 118,000 | 64 | 35 |
| L50S550 | 550 | 500 | 450 | 200 kA | 20 kA | 45,851 | 311,667 | 347,333 | 176,766 | 75 | 41 |
| L50S600 | 600 | 500 | 450 | 200 kA | 20 kA | 45,851 | 311,667 | 347,333 | 176,766 | 98 | 50 |
| L50S700 | 700 | 500 | 450 | 200 kA | 20 kA | 82,396 | 460,000 | 622,333 | 289,000 | 96 | 51 |
| L50S800 | 800 | 500 | 450 | 200 kA | 20 kA | 115,656 | 647,667 | 687,500 | 465,590 | 118 | 60 |

POWR-SPEED® Fuses

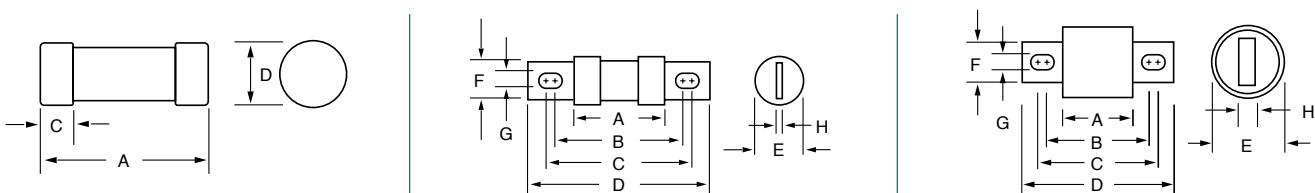
L50S SERIES HIGH-SPEED ROUND BODY

Ordering Information

| SERIES | AMPERAGE RATING | AMP CODE | CATALOG NUMBER | ORDERING NUMBER | PACK QUANTITY | UPC |
|--------|-----------------|----------|----------------|-----------------|---------------|-------------|
| L50S | 10 | 010 | L50S010 | L50S010.T | 10 pcs/box | 07945885010 |
| L50S | 12 | 012 | L50S012 | L50S012.T | 10 pcs/box | 07945885012 |
| L50S | 15 | 015 | L50S015 | L50S015.T | 10 pcs/box | 07945885015 |
| L50S | 20 | 020 | L50S020 | L50S020.T | 10 pcs/box | 07945885020 |
| L50S | 25 | 025 | L50S025 | L50S025.T | 10 pcs/box | 07945885025 |
| L50S | 30 | 030 | L50S030 | L50S030.T | 10 pcs/box | 07945885030 |
| L50S | 35 | 035 | L50S035 | L50S035.T | 10 pcs/box | 07945885035 |
| L50S | 40 | 040 | L50S040 | L50S040.T | 10 pcs/box | 07945885040 |
| L50S | 50 | 050 | L50S050 | L50S050.T | 10 pcs/box | 07945885050 |
| L50S | 60 | 060 | L50S060 | L50S060.T | 10 pcs/box | 07945885060 |
| L50S | 70 | 070 | L50S070 | L50S070.T | 10 pcs/box | 07945885070 |
| L50S | 80 | 080 | L50S080 | L50S080.T | 10 pcs/box | 07945885080 |
| L50S | 90 | 090 | L50S090 | L50S090.T | 10 pcs/box | 07945885090 |
| L50S | 100 | 100 | L50S100 | L50S100.T | 10 pcs/box | 07945885100 |
| L50S | 125 | 125 | L50S125 | L50S125.V | 5 pcs/box | 07945885125 |
| L50S | 150 | 150 | L50S150 | L50S150.V | 5 pcs/box | 07945885150 |
| L50S | 175 | 175 | L50S175 | L50S175.V | 5 pcs/box | 07945885175 |
| L50S | 200 | 200 | L50S200 | L50S200.V | 5 pcs/box | 07945885200 |
| L50S | 225 | 225 | L50S225 | L50S225.V | 5 pcs/box | 07945885225 |
| L50S | 250 | 250 | L50S250 | L50S250.V | 5 pcs/box | 07945885250 |
| L50S | 275 | 275 | L50S275 | L50S275.V | 5 pcs/box | 07945885275 |
| L50S | 300 | 300 | L50S300 | L50S300.V | 5 pcs/box | 07945885300 |
| L50S | 350 | 350 | L50S350 | L50S350.V | 5 pcs/box | 07945885350 |
| L50S | 400 | 400 | L50S400 | L50S400.V | 5 pcs/box | 07945885400 |
| L50S | 450 | 450 | L50S450 | L50S450.X | 1 pc/box | 07945885450 |
| L50S | 500 | 500 | L50S500 | L50S500.X | 1 pc/box | 07945885500 |
| L50S | 550 | 550 | L50S550 | L50S550.X | 1 pc/box | 07945885550 |
| L50S | 600 | 600 | L50S600 | L50S600.X | 1 pc/box | 07945885600 |
| L50S | 700 | 700 | L50S700 | L50S700.X | 1 pc/box | 07945885700 |
| L50S | 800 | 800 | L50S800 | L50S800.X | 1 pc/box | 07945885800 |

Dimensions

| AMPERE RATING | FIGURE NO. | DIMENSIONS INCHES (mm) | | | | | | | |
|---------------|------------|------------------------|------------|------------|------------|-----------|-------------|--------------|-------------|
| | | A | B | C | D | E | F | G | H |
| 10–30 | 1 | 2 (50.8) | — | ½ (12.7) | ¾ (14.3) | — | — | — | — |
| 31–60 | 2 | 1⅝ (41.3) | 2¼ (57.2) | 2½ (63.5) | 3⅜ (81.0) | 1⅜ (20.6) | 2⅜ (18.3) | 1½ (8.7) | ⅛ (3.2) |
| 61–100 | 3 | 2⅛ (54.0) | 2⅞ (68.3) | 3 (76.2) | 3⅝ (92.1) | 1 (25.4) | .670 (17.0) | 1½ (8.7) | ⅛ (3.2) |
| 101–200 | 3 | 2⅛ (54.0) | 2⅞ (71.4) | 2⅝ (74.6) | 3⅝ (92.1) | 1⅞ (31.0) | .895 (22.7) | 5/16 (7.9) | 3/16 (4.75) |
| 201–400 | 3 | 2⅜ (53.2) | 2⅞ (70.6) | 3⅜ (86.5) | 4⅞ (110.3) | 1½ (38.1) | 1 (25.4) | 13/32 (10.3) | ¼ (6.4) |
| 401–600 | 3 | 2⅞ (56.4) | 2⅞ (73.8) | 3⅞ (89.7) | 4⅞ (113.5) | 2 (50.8) | 1½ (38.1) | 13/32 (10.3) | ¼ (6.4) |
| 601–800 | 3 | 2⅞ (56.4) | 4⅞ (108.7) | 4⅞ (117.5) | 6⅞ (164.3) | 2½ (63.5) | 2 (50.8) | 17/32 (13.5) | 3/8 (9.5) |



POWR-SPEED® Fuses

L15S SERIES HIGH-SPEED ROUND BODY

150 V ac • Very Fast-Acting • 1–1000 A



Description

The L15S series is a traditional North American bolted style high-speed fuse for protection of power semiconductor devices that are rated up to 150 V ac and up to 150 V dc. Littelfuse POWR-SPEED® products offer optimized circuit protection at the extremely fast speed required to protect power semiconductor devices such as silicon controlled rectifiers (SCR's), diodes, thyristors, triacs, transistors, and similar solid-state devices. These devices are used in power equipment including variable speed drives, power rectifiers, UPS systems, dc power supplies, and in a wide range of electronic equipment. May be used wherever extremely fast-acting, current-limiting fuses with no time delay are required.

Features/Benefits

- Compliance with US and Canadian requirements
- Traditional North American bolted style dimensions
- Class aR performance
- Direct bus-bar mount or stud mount design
- RoHS Compliant

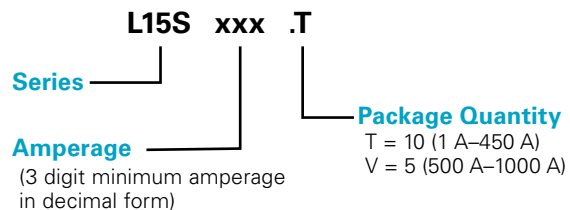
Applications

- Power converters (inverters, rectifiers, ups)
- Power supplies
- Industrial heaters
- Variable speed drives
- Battery chargers
- Soft starters

Specifications

| | |
|------------------------------|--|
| Voltage Ratings | Ac: 150 V Dc: 100 V–150 V |
| Ampere Range | 1–1000 A |
| Interrupting Rating | Ac: 100 kA Dc: 20 kA Self Certified |
| Approvals | UL Recognized (File: E71611) CSA Recognized (File: LR29862) |
| Time Constant | 10 ms |
| Material | Body: melamine Cap: copper alloy (silver plated) |
| Mounting Type | Cylindrical (1–60 A) Bolted Tags (70–1000 A) |
| Environmental | RoHS |
| Country of Origin | Mexico |
| Operating Temperature | -55 °C to +125 °C |
| Storage Temperature | Up to 35 °C with relative humidity <65 % |

Part Numbering System



| SERIES | AMPERAGE | CATALOG NUMBER | ORDERING NUMBER |
|--------|----------|----------------|-----------------|
| L15S | 005 | L15S005 | L15S005.T |
| L15S | 500 | L15S500 | L15S500.V |
| L15S | 1000 | L15S1000 | L15S1000V |

Recommended Fuse Holders

1LFS101/1LFS102
LSCR001/LSCR002
L60030M series (1-30A)
105/125 Series (1-30A)
109/129 Series (35-60A)

Web Resources

For additional information, visit: Littelfuse.com/high-speed

Note: high-speed fuses are designed for fixed installations. They are not intended for use in moving vehicle applications.

POWR-SPEED® Fuses

L15S SERIES HIGH-SPEED ROUND BODY

Electrical Specifications

| CATALOG NUMBER | AMPERAGE RATING | VOLTAGE RATING | | INTERRUPT RATING | |
|----------------|-----------------|----------------|-----|------------------|-------|
| | | AC | DC | AC | DC |
| L15S001 | 1 | 150 | 150 | 100 kA | 20 kA |
| L15S002 | 2 | 150 | 150 | 100 kA | 20 kA |
| L15S003 | 3 | 150 | 150 | 100 kA | 20 kA |
| L15S004 | 4 | 150 | 150 | 100 kA | 20 kA |
| L15S005 | 5 | 150 | 150 | 100 kA | 20 kA |
| L15S006 | 6 | 150 | 150 | 100 kA | 20 kA |
| L15S007 | 7 | 150 | 150 | 100 kA | 20 kA |
| L15S008 | 8 | 150 | 150 | 100 kA | 20 kA |
| L15S009 | 9 | 150 | 150 | 100 kA | 20 kA |
| L15S010 | 10 | 150 | 150 | 100 kA | 20 kA |
| L15S012 | 12 | 150 | 150 | 100 kA | 20 kA |
| L15S015 | 15 | 150 | 150 | 100 kA | 20 kA |
| L15S020 | 20 | 150 | 150 | 100 kA | 20 kA |
| L15S025 | 25 | 150 | 150 | 100 kA | 20 kA |
| L15S035 | 35 | 150 | 150 | 100 kA | 20 kA |
| L15S040 | 40 | 150 | 150 | 100 kA | 20 kA |
| L15S045 | 45 | 150 | 150 | 100 kA | 20 kA |
| L15S050 | 50 | 150 | 150 | 100 kA | 20 kA |
| L15S060 | 60 | 150 | 150 | 100 kA | 20 kA |
| L15S070 | 70 | 150 | 100 | 100 kA | 20 kA |
| L15S080 | 80 | 150 | 100 | 100 kA | 20 kA |
| L15S090 | 90 | 150 | 100 | 100 kA | 20 kA |
| L15S100 | 100 | 150 | 100 | 100 kA | 20 kA |
| L15S125 | 125 | 150 | 100 | 100 kA | 20 kA |
| L15S150 | 150 | 150 | 100 | 100 kA | 20 kA |
| L15S200 | 200 | 150 | 100 | 100 kA | 20 kA |
| L15S250 | 250 | 150 | 100 | 100 kA | 20 kA |
| L15S300 | 300 | 150 | 100 | 100 kA | 20 kA |
| L15S350 | 350 | 150 | 100 | 100 kA | 20 kA |
| L15S400 | 400 | 150 | 100 | 100 kA | 20 kA |
| L15S450 | 450 | 150 | 100 | 100 kA | 20 kA |
| L15S500 | 500 | 150 | 100 | 100 kA | 20 kA |
| L15S600 | 600 | 150 | 100 | 100 kA | 20 kA |
| L15S800 | 800 | 150 | 100 | 100 kA | 20 kA |
| L15S1000 | 1000 | 150 | 100 | 100 kA | 20 kA |

POWR-SPEED® Fuses

L15S SERIES HIGH-SPEED ROUND BODY

Ordering Information

| SERIES | AMPERAGE | AMPERE CODE | CATALOG NUMBER | ORDERING NUMBER | PACK QUANTITY | UPC |
|--------|----------|-------------|----------------|-----------------|---------------|-------------|
| L15S | 1 | 001. | L15S001 | L15S001.T | 10 Pcs/Box | 07945800218 |
| L15S | 2 | 002. | L15S002 | L15S002.T | 10 Pcs/Box | 07945800219 |
| L15S | 3 | 003. | L15S003 | L15S003.T | 10 Pcs/Box | 07945800220 |
| L15S | 4 | 004. | L15S004 | L15S004.T | 10 Pcs/Box | 07945800221 |
| L15S | 5 | 005. | L15S005 | L15S005.T | 10 Pcs/Box | 07945800222 |
| L15S | 6 | 006. | L15S006 | L15S006.T | 10 Pcs/Box | 07945800223 |
| L15S | 7 | 007. | L15S007 | L15S007.T | 10 Pcs/Box | 07945800224 |
| L15S | 8 | 008. | L15S008 | L15S008.T | 10 Pcs/Box | 07945800225 |
| L15S | 9 | 009. | L15S009 | L15S009.T | 10 Pcs/Box | 07945800226 |
| L15S | 10 | 010. | L15S010 | L15S010.T | 10 Pcs/Box | 07945800227 |
| L15S | 12 | 012. | L15S012 | L15S012.T | 10 Pcs/Box | 07945800228 |
| L15S | 15 | 015. | L15S015 | L15S015.T | 10 Pcs/Box | 07945800229 |
| L15S | 20 | 020. | L15S020 | L15S020.T | 10 Pcs/Box | 07945800230 |
| L15S | 25 | 025. | L15S025 | L15S025.T | 10 Pcs/Box | 07945800231 |
| L15S | 30 | 030. | L15S030 | L15S030.T | 10 Pcs/Box | 07945800232 |
| L15S | 35 | 035. | L15S035 | L15S035.T | 10 Pcs/Box | 07945800233 |
| L15S | 40 | 040. | L15S040 | L15S040.T | 10 Pcs/Box | 07945800234 |
| L15S | 45 | 045. | L15S045 | L15S045.T | 10 Pcs/Box | 07945800235 |
| L15S | 50 | 050. | L15S050 | L15S050.T | 10 Pcs/Box | 07945800236 |
| L15S | 60 | 060. | L15S060 | L15S060.T | 10 Pcs/Box | 07945800237 |
| L15S | 70 | 070. | L15S070 | L15S070.T | 10 Pcs/Box | 07945800238 |
| L15S | 80 | 080. | L15S080 | L15S080.T | 10 Pcs/Box | 07945800239 |
| L15S | 90 | 090. | L15S090 | L15S090.T | 10 Pcs/Box | 07945800240 |
| L15S | 100 | 100. | L15S100 | L15S100.T | 10 Pcs/Box | 07945800241 |
| L15S | 125 | 125. | L15S125 | L15S125.T | 10 Pcs/Box | 07945800242 |
| L15S | 150 | 150. | L15S150 | L15S150.T | 10 Pcs/Box | 07945800243 |
| L15S | 200 | 200. | L15S200 | L15S200.T | 10 Pcs/Box | 07945800244 |
| L15S | 250 | 250. | L15S250 | L15S250.T | 10 Pcs/Box | 07945800245 |
| L15S | 300 | 300. | L15S300 | L15S300.T | 10 Pcs/Box | 07945800246 |
| L15S | 350 | 350. | L15S350 | L15S350.T | 10 Pcs/Box | 07945800247 |
| L15S | 400 | 400. | L15S400 | L15S400.T | 10 Pcs/Box | 07945800248 |
| L15S | 450 | 450. | L15S450 | L15S450.T | 10 Pcs/Box | 07945800249 |
| L15S | 500 | 500. | L15S500 | L15S500.V | 5 Pcs/Box | 07945800250 |
| L15S | 600 | 600. | L15S600 | L15S600.V | 5 Pcs/Box | 07945800251 |
| L15S | 800 | 800. | L15S800 | L15S800.V | 5 Pcs/Box | 07945800252 |
| L15S | 1000 | 1000 | L15S1000 | L15S1000V | 5 Pcs/Box | 07945800253 |

Dimensions

| AMPERE RATING | FIG. NO. | DIMENSIONS INCHES (MM) | | | | | | | |
|---------------|----------|------------------------|-----------|-----------|-----------|-----------|----------|-----------|---------|
| | | A | B | C | D | E | F | G | H |
| 1 – 30 | 1 | 1½ (38.1) | — | ¾ (9.5) | 1¾ (10.3) | — | — | — | — |
| 31 – 60 | 1 | 2 (50.8) | — | ⅝ (15.9) | 1¾ (20.6) | — | — | — | — |
| 61 – 450 | 2 | 1½ (29.4) | 1⅞ (47.6) | 2¾ (55.6) | 2½ (67.5) | 1 (25.4) | ⅔ (17.1) | ⅝ (7.9) | ¾ (4.8) |
| 451 – 1000 | 2 | 1¼ (31.8) | 1⅞ (49.2) | 2¾ (65.1) | 3½ (88.9) | 1½ (38.1) | 1 (25.4) | 1½ (10.3) | ¼ (6.4) |

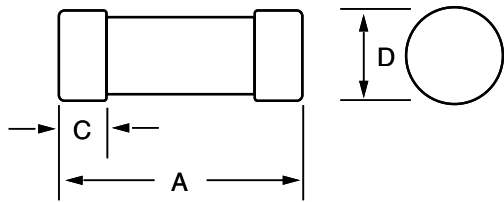


Figure 1

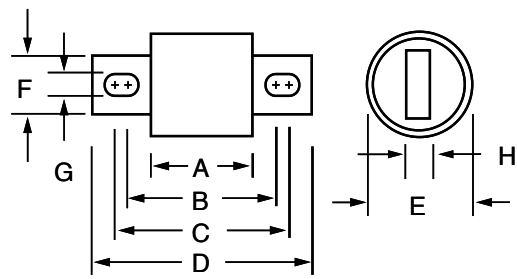


Figure 2

POWR-SPEED® Fuses

L25S SERIES HIGH-SPEED ROUND BODY

250 V ac • Very Fast-Acting • 1–800 A



Description

The L25S Series is a traditional North American bolted style high-speed fuse for protection of power semiconductor devices that are rated up to 250 V ac and 200 V dc.

Littelfuse POWR-SPEED® products offer optimized circuit protection at the extremely fast speed required to protect power semiconductor devices such as silicon controlled rectifiers (SCR's), diodes, thyristors, triacs, transistors, and similar solid-state devices. These devices are used in power equipment including variable speed drives, power rectifiers, UPS systems, dc power supplies, and in a wide range of electronic equipment. May be used wherever extremely fast-acting, current-limiting fuses are used with no time delay required.

Features/Benefits

- Compliance with US and Canadian requirements
- Traditional North American bolted style dimensions
- Class aR performance
- Direct bus-bar mount or stud mount design
- RoHS Compliant applications

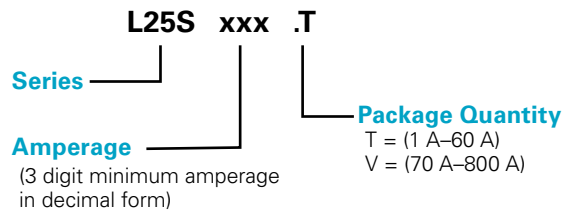
Applications

- Power converters (inverters, rectifiers, UPS)
- Power supplies
- Industrial heaters
- Variable speed drives
- Battery chargers
- Soft starters

Specifications

| | |
|------------------------------|--|
| Voltage Ratings | Ac: 250 V Dc: 200 V–250 V |
| Ampere Range | 1–800 A |
| Interrupting Rating | Ac: 200 kA Dc: 20 kA Self Certified |
| Approvals | UL Recognized (File: E71611) CSA Recognized (File: LR29862) |
| Time Constant | 10 ms |
| Material | Body: melamine Caps: copper alloy (silver plated) |
| Mounting Type | Cylindrical (10–30 A) Bolted Tags (35–800 A) |
| Environmental | RoHS |
| Country of Origin | Mexico |
| Operating Temperature | -55 °C to +125 °C |
| Storage Temperature | Up to 35 °C with Relative Humidity <65 % |

Part Numbering System



| SERIES | AMPERAGE | CATALOG NUMBER | ORDERING NUMBER |
|--------|----------|----------------|-----------------|
| L25S | 1 | L25S001 | L25S001.T |
| L25S | 100 | L25S100 | L25S100.V |

Recommended Fuse Holders

1LFS101/1LFS102
LSCR001/LSCR002
107/127 Series (1-30A)
LFH25030 (1-30A)

Web Resources

For additional information, visit: Littelfuse.com/high-speed

Note: high-speed fuses are designed for fixed installations. They are not intended for use in moving vehicle applications.

POWR-SPEED® Fuses

L25S SERIES HIGH-SPEED ROUND BODY

Electrical Specifications

| CATALOG NUMBER | AMPERAGE RATING | VOLTAGE RATING | | INTERRUPT RATING | |
|----------------|-----------------|----------------|-----|------------------|-------|
| | | AC | DC | AC | DC |
| L25S001 | 1 | 250 | 250 | 200 kA | 20 kA |
| L25S002 | 2 | 250 | 250 | 200 kA | 20 kA |
| L25S003 | 3 | 250 | 250 | 200 kA | 20 kA |
| L25S004 | 4 | 250 | 250 | 200 kA | 20 kA |
| L25S005 | 5 | 250 | 250 | 200 kA | 20 kA |
| L25S006 | 6 | 250 | 250 | 200 kA | 20 kA |
| L25S008 | 8 | 250 | 250 | 200 kA | 20 kA |
| L25S010 | 10 | 250 | 250 | 200 kA | 20 kA |
| L25S012 | 12 | 250 | 250 | 200 kA | 20 kA |
| L25S015 | 15 | 250 | 250 | 200 kA | 20 kA |
| L25S020 | 20 | 250 | 250 | 200 kA | 20 kA |
| L25S025 | 25 | 250 | 250 | 200 kA | 20 kA |
| L25S030 | 30 | 250 | 250 | 200 kA | 20 kA |
| L25S035 | 35 | 250 | 250 | 200 kA | 20 kA |
| L25S040 | 40 | 250 | 250 | 200 kA | 20 kA |
| L25S045 | 45 | 250 | 250 | 200 kA | 20 kA |
| L25S050 | 50 | 250 | 250 | 200 kA | 20 kA |
| L25S060 | 60 | 250 | 250 | 200 kA | 20 kA |
| L25S070 | 70 | 250 | 250 | 200 kA | 20 kA |
| L25S080 | 80 | 250 | 250 | 200 kA | 20 kA |
| L25S090 | 90 | 250 | 250 | 200 kA | 20 kA |
| L25S100 | 100 | 250 | 250 | 200 kA | 20 kA |
| L25S125 | 125 | 250 | 250 | 200 kA | 20 kA |
| L25S150 | 150 | 250 | 250 | 200 kA | 20 kA |
| L25S175 | 175 | 250 | 250 | 200 kA | 20 kA |
| L25S200 | 200 | 250 | 250 | 200 kA | 20 kA |
| L25S225 | 225 | 250 | 200 | 200 kA | 20 kA |
| L25S250 | 250 | 250 | 200 | 200 kA | 20 kA |
| L25S275 | 275 | 250 | 200 | 200 kA | 20 kA |
| L25S300 | 300 | 250 | 200 | 200 kA | 20 kA |
| L25S350 | 350 | 250 | 200 | 200 kA | 20 kA |
| L25S400 | 400 | 250 | 200 | 200 kA | 20 kA |
| L25S450 | 450 | 250 | 200 | 200 kA | 20 kA |
| L25S500 | 500 | 250 | 200 | 200 kA | 20 kA |
| L25S600 | 600 | 250 | 200 | 200 kA | 20 kA |
| L25S700 | 700 | 250 | 200 | 200 kA | 20 kA |
| L25S800 | 800 | 250 | 200 | 200 kA | 20 kA |

POWR-SPEED® Fuses

L25S SERIES HIGH-SPEED ROUND BODY

Ordering Information

| SERIES | AMPERAGE | AMPERE CODE | CATALOG NUMBER | ORDERING NUMBER | PACK QUANTITY | UPC |
|--------|----------|-------------|----------------|-----------------|---------------|-------------|
| L25S | 1 | 001. | L25S001 | L25S001.T | 10 Pcs/Box | 07945884001 |
| L25S | 2 | 002. | L25S002 | L25S002.T | 10 Pcs/Box | 07945884002 |
| L25S | 3 | 003. | L25S003 | L25S003.T | 10 Pcs/Box | 07945884003 |
| L25S | 4 | 004. | L25S004 | L25S004.T | 10 Pcs/Box | 07945884004 |
| L25S | 5 | 005. | L25S005 | L25S005.T | 10 Pcs/Box | 07945884005 |
| L25S | 6 | 006. | L25S006 | L25S006.T | 10 Pcs/Box | 07945884006 |
| L25S | 8 | 008. | L25S008 | L25S008.T | 10 Pcs/Box | 07945884008 |
| L25S | 10 | 010. | L25S010 | L25S010.T | 10 Pcs/Box | 07945884010 |
| L25S | 12 | 012. | L25S012 | L25S012.T | 10 Pcs/Box | 07945884012 |
| L25S | 15 | 015. | L25S015 | L25S015.T | 10 Pcs/Box | 07945884015 |
| L25S | 20 | 020. | L25S020 | L25S020.T | 10 Pcs/Box | 07945884020 |
| L25S | 25 | 025. | L25S025 | L25S025.T | 10 Pcs/Box | 07945884025 |
| L25S | 30 | 030. | L25S030 | L25S030.T | 10 Pcs/Box | 07945884030 |
| L25S | 35 | 035. | L25S035 | L25S035.T | 10 Pcs/Box | 07945884035 |
| L25S | 40 | 040. | L25S040 | L25S040.T | 10 Pcs/Box | 07945884040 |
| L25S | 45 | 045. | L25S045 | L25S045.T | 10 Pcs/Box | 07945884045 |
| L25S | 50 | 050. | L25S050 | L25S050.T | 10 Pcs/Box | 07945884050 |
| L25S | 60 | 060. | L25S060 | L25S060.T | 10 Pcs/Box | 07945884060 |
| L25S | 70 | 070. | L25S070 | L25S070.V | 5 Pcs/Box | 07945884070 |
| L25S | 80 | 080. | L25S080 | L25S080.V | 5 Pcs/Box | 07945884080 |
| L25S | 90 | 090. | L25S090 | L25S090.V | 5 Pcs/Box | 07945884090 |
| L25S | 100 | 100. | L25S100 | L25S100.V | 5 Pcs/Box | 07945884100 |
| L25S | 125 | 125. | L25S125 | L25S125.V | 5 Pcs/Box | 07945884125 |
| L25S | 150 | 150. | L25S150 | L25S150.V | 5 Pcs/Box | 07945884150 |
| L25S | 175 | 175. | L25S175 | L25S175.V | 5 Pcs/Box | 07945884175 |
| L25S | 200 | 200. | L25S200 | L25S200.V | 5 Pcs/Box | 07945884200 |
| L25S | 225 | 225. | L25S225 | L25S225.V | 5 Pcs/Box | 07945884225 |
| L25S | 250 | 250. | L25S250 | L25S250.V | 5 Pcs/Box | 07945884250 |
| L25S | 275 | 275. | L25S275 | L25S275.V | 5 Pcs/Box | 07945884275 |
| L25S | 300 | 300. | L25S300 | L25S300.V | 5 Pcs/Box | 07945884300 |
| L25S | 350 | 350. | L25S350 | L25S350.V | 5 Pcs/Box | 07945884350 |
| L25S | 400 | 400. | L25S400 | L25S400.V | 5 Pcs/Box | 07945884400 |
| L25S | 450 | 450. | L25S450 | L25S450.V | 5 Pcs/Box | 07945884450 |
| L25S | 500 | 500. | L25S500 | L25S500.V | 5 Pcs/Box | 07945884500 |
| L25S | 600 | 600. | L25S600 | L25S600.V | 5 Pcs/Box | 07945884600 |
| L25S | 700 | 700. | L25S700 | L25S700.V | 5 Pcs/Box | 07945884700 |
| L25S | 800 | 800. | L25S800 | L25S800.V | 5 Pcs/Box | 07945884800 |

Dimensions

| AMPERE RATING | FIG. NO. | DIMENSIONS INCHES (MM) | | | | | | | |
|---------------|----------|------------------------|---------------|----------------|----------------|---------------|---------------|---------------|------------|
| | | A | B | C | D | E | F | G | H |
| 1 – 30 | 1 | 2 (50.8) | — | ½ (12.7) | 9/16 (14.3) | — | — | — | — |
| 31 – 60 | 2 | 1 5/8 (41.3) | 2 ¼ (57.2) | 2 ½ (63.5) | 3 3/16 (81.0) | 1 3/16 (20.6) | 2 3/32 (18.3) | 1 1/32 (8.7) | 1/8 (3.2) |
| 61 – 200 | 3 | 1 5/8 (41.3) | 2 5/16 (58.7) | 2 7/16 (61.9) | 3 1/8 (79.4) | 1 7/32 (31.0) | 1 (25.4) | 5/16 (7.9) | 3/16 (4.8) |
| 201 – 700 | 3 | 1 11/32 (40.5) | 2 9/32 (57.9) | 2 29/32 (73.8) | 3 27/32 (97.6) | 1 ½ (38.1) | 1 (25.4) | 1 3/32 (10.3) | ¼ (6.4) |
| 701 – 800 | 3 | 1 11/32 (40.5) | 2 9/32 (57.9) | 2 29/32 (73.8) | 3 27/32 (97.6) | 2 (50.8) | 1 ½ (38.1) | 1 3/32 (10.3) | ¼ (6.4) |

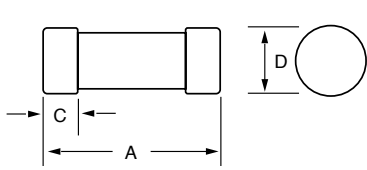


Figure 1

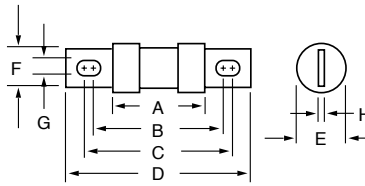


Figure 2

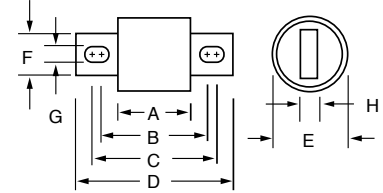


Figure 3

POWR-SPEED® Fuses

L60S/KLC SERIES HIGH-SPEED ROUND BODY

600 V ac • Very Fast-Acting • 1–800 A



L60S Series

KLC Series

Description

The L60S and KLC series is a traditional North American style high-speed fuse for protection of power semiconductor devices that are rated up to 600 V ac. These fuse series are typically used for replacement purposes only. For new designs L70QS series is recommended.

Features/Benefits

- Compliance with US and Canadian requirements
- Traditional North American cylindrical and bolted style dimensions
- Class aR performance

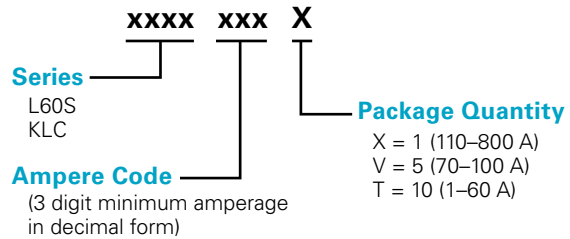
Applications

- Small power converters
- Power supplies
- Control circuits

Specifications

| | |
|------------------------------|---|
| Voltage Rating | 600 V ac |
| Ampere Range | 1–800 A |
| Interrupting Rating | 200 kA rms |
| Approvals | UL Recognized (File: E71611) CSA Recognized (File: LR29862) |
| Mounting Type | Cylindrical (L60S 10–30 A) Bolted Tags (L60S 35-800A; KLC 1–800 A) |
| Material Body: | Melamine |
| Environmental | Terminals: Copper (silver plated) |
| Country of Origin | RoHS Compliant |
| Operating Temperature | Mexico |
| Storage Temperature | -55 °C to +125 °C Up to 35 °C with relative humidity <65 % |

Part Numbering System



Recommended Fuse Holders

- 1LFS101/1LFS102
- LSCR001/LSCR002
- 109/129 Series (1–30A)
- LFH60030 (1–30A)

Web Resources

For additional information, visit: Littelfuse.com/high-speed

Note: high-speed fuses are designed for fixed installations. They are not intended for use in moving vehicle applications.

POWR-SPEED® Fuses

L60S/KLC SERIES HIGH-SPEED ROUND BODY

Ordering Information

| L60S SERIES | | | | | | |
|-------------|----------|-------------|----------------|-----------------|---------------|-------------|
| SERIES | AMPERAGE | AMPERE CODE | CATALOG NUMBER | ORDERING NUMBER | PACK QUANTITY | UPC |
| L60S | 1 | 001. | L60S001 | L60S001.T | 10 Pcs/Box | 07945810100 |
| L60S | 2 | 002. | L60S002 | L60S002.T | 10 Pcs/Box | 07945810101 |
| L60S | 3 | 003. | L60S003 | L60S003.T | 10 Pcs/Box | 07945810102 |
| L60S | 4 | 004. | L60S004 | L60S004.T | 10 Pcs/Box | 07945810103 |
| L60S | 5 | 005. | L60S005 | L60S005.T | 10 Pcs/Box | 07945810104 |
| L60S | 6 | 006. | L60S006 | L60S006.T | 10 Pcs/Box | 07945810105 |
| L60S | 8 | 008. | L60S008 | L60S008.T | 10 Pcs/Box | 07945810107 |
| L60S | 10 | 010. | L60S010 | L60S010.T | 10 Pcs/Box | 07945810108 |
| L60S | 12 | 012. | L60S012 | L60S012.T | 10 Pcs/Box | 07945810109 |
| L60S | 15 | 015. | L60S015 | L60S015.T | 10 Pcs/Box | 07945810110 |
| L60S | 17.5 | 17.5 | L60S17.5 | L60S17.5T | 10 Pcs/Box | 07945810135 |
| L60S | 20 | 020. | L60S020 | L60S020.T | 10 Pcs/Box | 07945810111 |
| L60S | 25 | 025. | L60S025 | L60S025.T | 10 Pcs/Box | 07945810112 |
| L60S | 30 | 030. | L60S030 | L60S030.T | 10 Pcs/Box | 07945810113 |
| L60S | 35 | 035. | L60S035 | L60S035.T | 10 Pcs/Box | 07945810114 |
| L60S | 40 | 040. | L60S040 | L60S040.T | 10 Pcs/Box | 07945810115 |
| L60S | 45 | 045. | L60S045 | L60S045.T | 10 Pcs/Box | 07945810116 |
| L60S | 50 | 050. | L60S050 | L60S050.T | 10 Pcs/Box | 07945810117 |
| L60S | 60 | 060. | L60S060 | L60S060.T | 10 Pcs/Box | 07945810118 |
| L60S | 70 | 070. | L60S070 | L60S070.V | 5 Pcs/Box | 07945810119 |
| L60S | 80 | 080. | L60S080 | L60S080.V | 5 Pcs/Box | 07945810120 |
| L60S | 90 | 090. | L60S090 | L60S090.V | 5 Pcs/Box | 07945810121 |
| L60S | 100 | 100. | L60S100 | L60S100.V | 5 Pcs/Box | 07945810122 |
| L60S | 125 | 125. | L60S125 | L60S125.X | 1 Pcs/Box | 07945810123 |
| L60S | 150 | 150. | L60S150 | L60S150.X | 1 Pcs/Box | 07945810124 |
| L60S | 175 | 175. | L60S175 | L60S175.X | 1 Pcs/Box | 07945810125 |
| L60S | 200 | 200. | L60S200 | L60S200.X | 1 Pcs/Box | 07945810126 |
| L60S | 225 | 225. | L60S225 | L60S225.X | 1 Pcs/Box | 07945810137 |
| L60S | 250 | 250. | L60S250 | L60S250.X | 1 Pcs/Box | 07945810127 |
| L60S | 300 | 300. | L60S300 | L60S300.X | 1 Pcs/Box | 07945810128 |
| L60S | 350 | 350. | L60S350 | L60S350.X | 1 Pcs/Box | 07945810129 |
| L60S | 400 | 400. | L60S400 | L60S400.X | 1 Pcs/Box | 07945810130 |
| L60S | 450 | 450. | L60S450 | L60S450.X | 1 Pcs/Box | 07945810131 |
| L60S | 500 | 500. | L60S500 | L60S500.X | 1 Pcs/Box | 07945810132 |
| L60S | 600 | 600. | L60S600 | L60S600.X | 1 Pcs/Box | 07945810133 |
| L60S | 700 | 700. | L60S700 | L60S700.X | 1 Pcs/Box | 07945810136 |
| L60S | 800 | 800. | L60S800 | L60S800.X | 1 Pcs/Box | 07945810134 |

POWR-SPEED® Fuses

L60S/KLC SERIES HIGH-SPEED ROUND BODY

Ordering Information

| KLC* SERIES | | | | | | |
|-------------|----------|-------------|----------------|-----------------|---------------|-------------|
| SERIES | AMPERAGE | AMPERE CODE | CATALOG NUMBER | ORDERING NUMBER | PACK QUANTITY | UPC |
| KLC | 1 | 001. | KLC001 | OKLC001.T | 10 pcs/box | 07945823031 |
| KLC | 2 | 002. | KLC002 | OKLC002.T | 10 pcs/box | 07945823041 |
| KLC | 3 | 003. | KLC003 | OKLC003.T | 10 pcs/box | 07945823047 |
| KLC | 4 | 004. | KLC004 | OKLC004.T | 10 pcs/box | 07945823053 |
| KLC | 5 | 005. | KLC005 | OKLC005.T | 10 pcs/box | 07945823055 |
| KLC | 6 | 006. | KLC006 | OKLC006.T | 10 pcs/box | 07945823058 |
| KLC | 7 | 007. | KLC007 | OKLC007.T | 10 pcs/box | 07945823061 |
| KLC | 8 | 008. | KLC008 | OKLC008.T | 10 pcs/box | 07945823063 |
| KLC | 10 | 010. | KLC010 | OKLC010.T | 10 pcs/box | 07945823065 |
| KLC | 12 | 012. | KLC012 | OKLC012.T | 10 pcs/box | 07945823066 |
| KLC | 15 | 015. | KLC015 | OKLC015.T | 10 pcs/box | 07945823068 |
| KLC | 17.5 | 17.5 | KLC17.5 | OKLC17.5T | 10 pcs/box | 07945823069 |
| KLC | 20 | 020. | KLC020 | OKLC020.T | 10 pcs/box | 07945823071 |
| KLC | 25 | 025. | KLC025 | OKLC025.T | 10 pcs/box | 07945823072 |
| KLC | 30 | 030. | KLC030 | OKLC030.T | 10 pcs/box | 07945823073 |
| KLC | 35 | 035. | KLC035 | OKLC035.T | 10 pcs/box | 07945823074 |
| KLC | 40 | 040. | KLC040 | OKLC040.T | 10 pcs/box | 07945823075 |
| KLC | 45 | 045. | KLC045 | OKLC045.T | 10 pcs/box | 07945823076 |
| KLC | 50 | 050. | KLC050 | OKLC050.T | 10 pcs/box | 07945823077 |
| KLC | 60 | 060. | KLC060 | OKLC060.T | 10 pcs/box | 07945823078 |
| KLC | 70 | 070. | KLC070 | OKLC070.V | 5 pcs/box | 07945823079 |
| KLC | 80 | 080. | KLC080 | OKLC080.V | 5 pcs/box | 07945823080 |
| KLC | 90 | 090. | KLC090 | OKLC090.V | 5 pcs/box | 07945823081 |
| KLC | 100 | 100. | KLC100 | OKLC100.V | 5 pcs/box | 07945823082 |
| KLC | 110 | 110. | KLC110 | OKLC110.X | 1 pcs/box | 07945823083 |
| KLC | 125 | 125. | KLC125 | OKLC125.X | 1 pcs/box | 07945823084 |
| KLC | 150 | 150. | KLC150 | OKLC150.X | 1 pcs/box | 07945823086 |
| KLC | 175 | 175. | KLC175 | OKLC175.X | 1 pcs/box | 07945823087 |
| KLC | 200 | 200. | KLC200 | OKLC200.X | 1 pcs/box | 07945823088 |
| KLC | 225 | 225. | KLC225 | OKLC225.X | 1 pcs/box | 07945823089 |
| KLC | 250 | 250. | KLC250 | OKLC250.X | 1 pcs/box | 07945823090 |
| KLC | 300 | 300. | KLC300 | OKLC300.X | 1 pcs/box | 07945823091 |
| KLC | 350 | 350. | KLC350 | OKLC350.X | 1 pcs/box | 07945823092 |
| KLC | 400 | 400. | KLC400 | OKLC400.X | 1 pcs/box | 07945823093 |
| KLC | 450 | 450. | KLC450 | OKLC450.X | 1 pcs/box | 07945823095 |
| KLC | 500 | 500. | KLC500 | OKLC500.X | 1 pcs/box | 07945823096 |
| KLC | 600 | 600. | KLC600 | OKLC600.X | 1 pcs/box | 07945823098 |
| KLC | 700 | 700. | KLC700 | OKLC700.X | 1 pcs/box | 07945823101 |
| KLC | 800 | 800. | KLC800 | OKLC800.X | 1 pcs/box | 07945823103 |

*KLC series fuses are recommended for replacement use only.

POWR-SPEED® Fuses

L60S/KLC SERIES HIGH-SPEED ROUND BODY

Dimensions

| AMPERE RATING | FIG. NO. | DIMENSIONS INCHES (MM) | | | | | | | |
|------------------------------|----------|-------------------------|--------------------------|--------------------------|--------------------------|-------------------------|------------------------|------------------------|----------------------|
| | | A | B | C | D | E | F | G | H |
| L60S SERIES, 600 V AC | | | | | | | | | |
| 1 – 30 | 1 | 5 (127.0) | — | $\frac{5}{8}$ (15.9) | $1\frac{3}{16}$ (20.6) | — | — | — | — |
| 31 – 60 | 2 | $2\frac{25}{32}$ (70.6) | $3\frac{7}{16}$ (87.3) | $3\frac{11}{16}$ (93.7) | $4\frac{3}{8}$ (111.1) | $1\frac{3}{16}$ (20.6) | $\frac{29}{32}$ (18.3) | $1\frac{1}{32}$ (8.7) | $\frac{1}{8}$ (3.2) |
| 61 – 100 | 2 | $2\frac{29}{32}$ (73.8) | $3\frac{17}{32}$ (89.7) | $3\frac{25}{32}$ (96.0) | $4\frac{15}{32}$ (113.5) | $1\frac{1}{16}$ (27.0) | $\frac{29}{32}$ (18.3) | $1\frac{1}{32}$ (8.7) | $\frac{1}{8}$ (3.2) |
| 101 – 200 | 2 | $2\frac{29}{32}$ (73.8) | $3\frac{9}{16}$ (90.5) | $3\frac{3}{4}$ (95.3) | $4\frac{13}{32}$ (111.9) | $1\frac{5}{16}$ (33.3) | 1 (25.4) | $\frac{9}{16}$ (7.9) | $\frac{3}{16}$ (4.8) |
| 201 – 400 | 2 | $2\frac{29}{32}$ (73.8) | $3\frac{31}{32}$ (100.8) | $4\frac{5}{32}$ (105.6) | $5\frac{1}{8}$ (130.2) | $1\frac{37}{64}$ (40.1) | 1 (25.4) | $1\frac{3}{32}$ (10.3) | $\frac{1}{4}$ (6.4) |
| 401 – 600 | 2 | $2\frac{7}{8}$ (73.0) | $3\frac{31}{32}$ (100.8) | $4\frac{9}{64}$ (105.2) | $5\frac{1}{8}$ (130.2) | $2\frac{1}{16}$ (52.8) | $1\frac{1}{2}$ (38.1) | $1\frac{3}{32}$ (10.3) | $\frac{1}{4}$ (6.4) |
| 601 – 800 | 2 | $3\frac{1}{2}$ (77.0) | $5\frac{5}{32}$ (133.4) | $5\frac{11}{32}$ (135.7) | $7\frac{1}{4}$ (184.2) | $2\frac{1}{2}$ (63.5) | 2 (50.8) | $1\frac{7}{32}$ (13.5) | $\frac{3}{8}$ (9.5) |
| KLC SERIES, 600 V AC | | | | | | | | | |
| 1 – 30 | 2 | $1\frac{7}{8}$ (47.6) | $2\frac{1}{2}$ (63.5) | — | $2\frac{7}{8}$ (73.0) | $\frac{9}{16}$ (14.3) | $\frac{19}{32}$ (10.3) | $\frac{1}{4}$ (6.4) | $\frac{3}{64}$ (1.2) |
| 31 – 60 | 2 | $2\frac{3}{4}$ (69.9) | $3\frac{3}{8}$ (85.7) | $3\frac{5}{8}$ (92.1) | $4\frac{5}{16}$ (109.5) | $1\frac{3}{16}$ (20.6) | $\frac{29}{32}$ (18.3) | $1\frac{1}{32}$ (8.7) | $\frac{1}{8}$ (3.2) |
| 61 – 100 | 3 | $2\frac{7}{8}$ (73.0) | $3\frac{21}{32}$ (92.9) | $4\frac{1}{16}$ (103.2) | 5 (127.0) | 1 (25.4) | $\frac{3}{4}$ (19.1) | $1\frac{3}{32}$ (10.3) | $\frac{1}{8}$ (3.2) |
| 101 – 200 | 3 | $2\frac{27}{32}$ (72.2) | $3\frac{17}{32}$ (89.7) | $4\frac{3}{8}$ (111.1) | $5\frac{3}{32}$ (129.4) | $1\frac{1}{2}$ (38.1) | 1 (25.4) | $1\frac{3}{32}$ (10.3) | $\frac{1}{4}$ (6.4) |
| 201 – 400 | 3 | $2\frac{27}{32}$ (72.2) | $4\frac{21}{32}$ (118.3) | $4\frac{27}{32}$ (123.0) | $6\frac{1}{4}$ (158.8) | 2 (50.8) | $1\frac{5}{8}$ (41.3) | $\frac{9}{16}$ (14.3) | $\frac{1}{4}$ (6.4) |
| 401 – 800 | 3 | $2\frac{27}{32}$ (72.2) | $4\frac{21}{32}$ (118.3) | $5\frac{11}{32}$ (135.7) | $6\frac{1}{4}$ (158.8) | $2\frac{1}{2}$ (63.5) | 2 (50.8) | $\frac{9}{16}$ (14.3) | $\frac{3}{8}$ (9.5) |

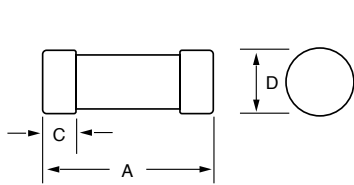


Fig. 1

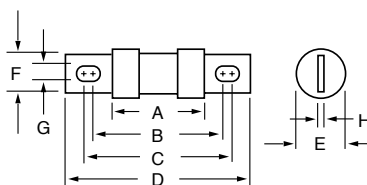


Fig. 2

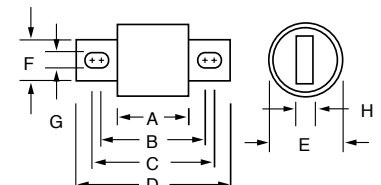


Fig. 3

POWR-SPEED® Fuse Accessories

LSCR SERIES HIGH-SPEED FUSE BLOCKS

700 V • 1000 V • 1500 V



Description

Littelfuse LSCR series is a comprehensive line of modular fuse blocks, designed to accommodate a wide range of high-speed and UL power fuses. These LSCR series blocks have a modular stud-type design that enables easy mounting in panel boards.

Features/Benefits

- Modular design reduces inventory requirements
- Sold in pairs for convenience
- Supplied with nut and Belleville washer

Specifications

| | |
|------------------------------|--|
| Voltage Rating | 700 V / 1000 V / 1500 V |
| Ampere Rating | 400 A, 800 A and 1200 A |
| Withstand Rating | 200 kA / 250 kA |
| Approvals | UL Recognized (File: E14721) cURus Recognized (E14721) CSA Certified (File: 73160) |
| Material Base | Molded phenolic or thermoplastic |
| Terminal Construction | Steel, zinc-plated |
| Flammability Rating | UL 94 V-0 |
| Environmental | RoHS compliant |
| Country of Origin | LSCR0xx - China LSCR1xx - USA |

Web Resources

For more information, visit: [Littelfuse.com/LSCR](https://www.littelfuse.com/LSCR)

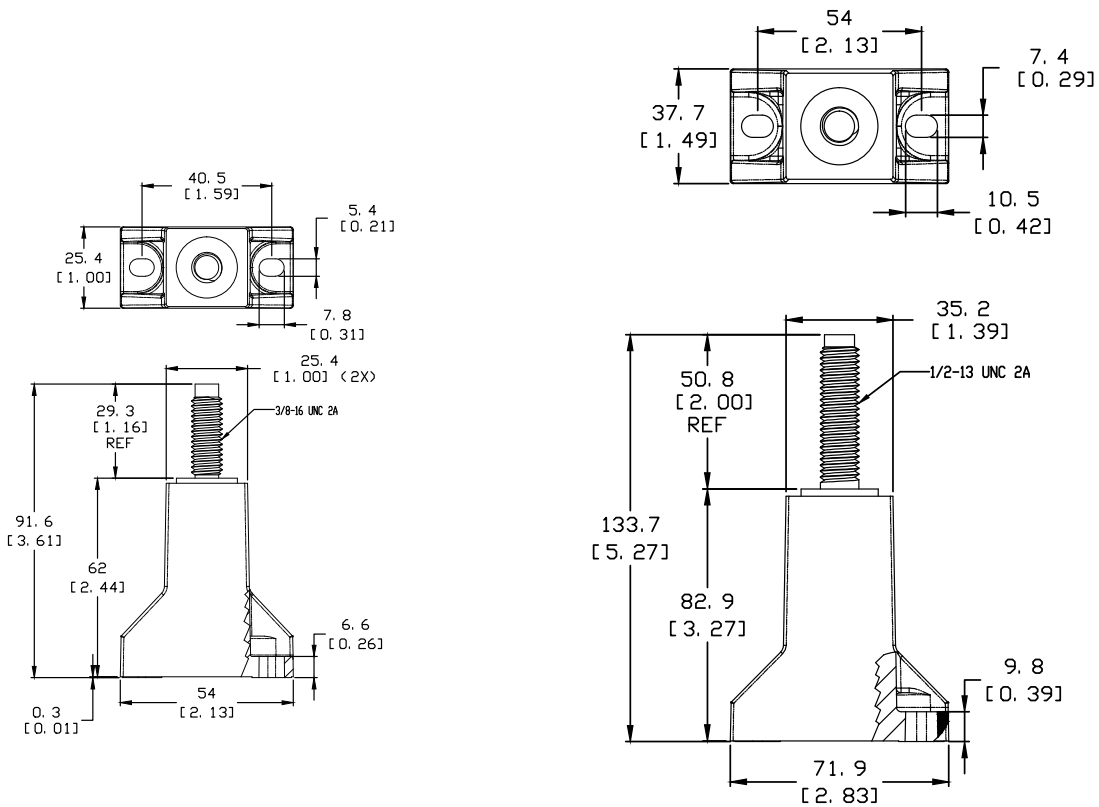
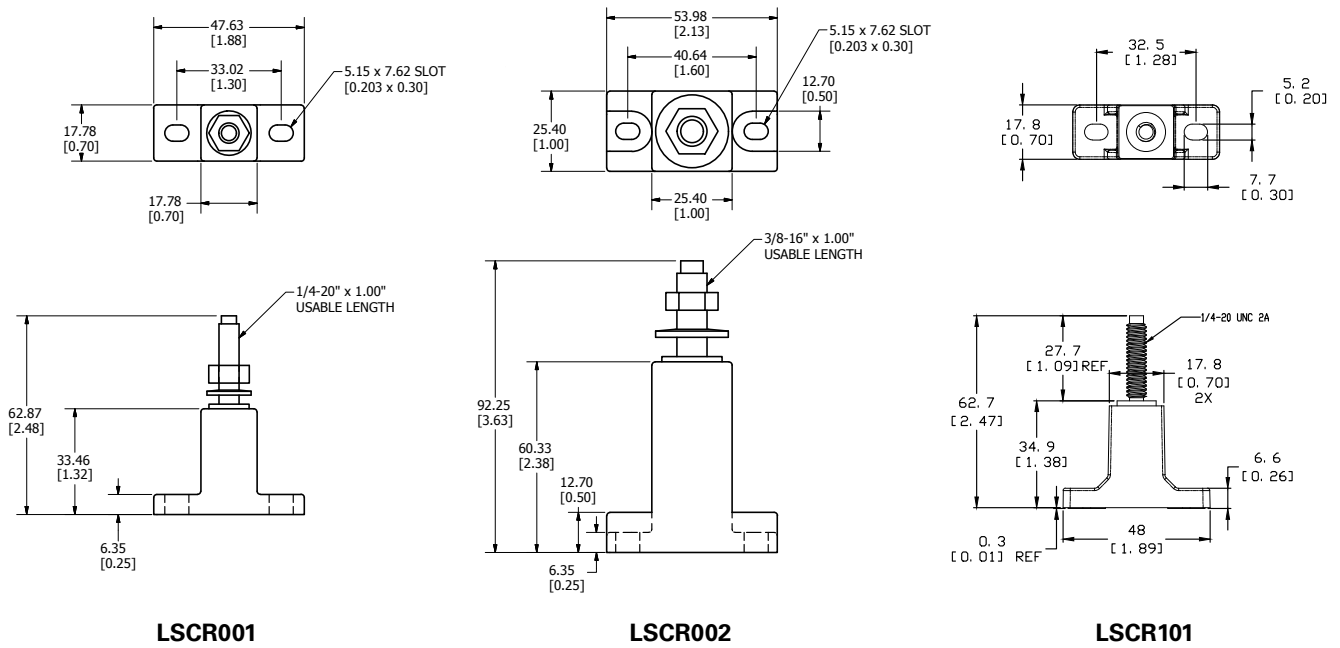
Electrical & Mechanical Specifications

| CATALOG/ ORDERING NUMBER | AMPERE RATING | VOLTAGE RATING | | INTERRUPTING RATING | | INSULATOR | | SUGGESTED STUD TORQUE | | MOUNTING FASTENER SIZE | SUGGESTED FASTENER TORQUE | | AGENCY APPROVALS | | |
|--------------------------------|------------------|-------------------|--------|------------------------|--------|-----------------|--------------------------|--------------------------|-----------|------------------------------|---------------------------------|---------|---------------------|-------|-----|
| | | AC | DC | AC | DC | MATERIAL | MAX. BASE TEMPERATURE | (in.lbs) | (N•m) | | (in.lbs) | (N•m) | UR | cURus | CSA |
| LSCR001 | 400 A | 700 V | 1500 V | 200 kA | 250 kA | Molded Phenolic | 150 °C (302 °F) | 61 | 6.8 | #10 | 20–25 | 2.3–2.8 | • | | • |
| LSCR002 | 800 A | 700 V | 1500 V | 200 kA | 250 kA | Molded Phenolic | 150 °C (302 °F) | 192 | 21.6 | #10 | 20–25 | 2.3–2.8 | • | | • |
| LSCR101 | 400 A | 1000 V | 1000 V | 200 kA | 200 kA | Thermoplastic | 125 °C (257 °F) | 67.5–82.5 | 7.6–9.3 | #10 | 12 max | 1.3 max | | • | |
| LSCR102 | 800 A | 1000 V | 1000 V | 200 kA | 200 kA | Thermoplastic | 125 °C (257 °F) | 207–253 | 23.4–28.6 | #10 | 12 max | 1.3 max | | • | |
| LSCR103 | 1200 A | 1000 V | 1000 V | 200 kA | 200 kA | Thermoplastic | 125 °C (257 °F) | 270–330 | 30.5–37.3 | ¼" | 12 max | 1.3 max | | • | |

POWR-SPEED® Fuse Accessories

LSCR SERIES HIGH-SPEED FUSE BLOCKS

Dimensions mm (inches)



High-Speed Fuse Block Selection Guide

| FUSE SERIES | CATALOG NUMBER | LSCR001 | LSCR002 | LSCR101 | LSCR102 | LSCR103 |
|-------------|----------------|--------------------|--------------------|--------------|--------------|--------------|
| | TERMINAL SIZE | 1/4-20 UNC | 3/8-16 UNC | 1/4-20 UNC | 3/8-16 UNC | 1/2-13 UNC |
| | VOLTAGE RATING | 700 V ac/1500 V dc | 700 V ac/1500 V dc | 1000 V ac/dc | 1000 V ac/dc | 1000 V ac/dc |
| | AMPERE RATING | 400 A | 800 A | 400 A | 800 A | 1200 A |
| L15S | 70-400 | X | | X | | |
| | 500-800 | | X | | X | |
| L17T | 70-250 | X | | X | | |
| | 300-800 | | X | | X | |
| L25S | 35-200 | X | | X | | |
| | 225-800 | | X | | X | |
| L50S | 35-200 | X | | X | | |
| | 225-800 | | X | | X | |
| L50QS | 700-800 | | | | | X |
| | 35-200 | X | | X | | |
| | 225-800 | | X | | X | |
| L60S | 700-800 | | | | | X |
| | 35-200 | X | | X | | |
| | 225-800 | | X | | X | |
| KLC | 700-800 | | | | | X |
| | 35-60 | X | | X | | |
| | 70-800 | | X | | X | |
| L70S | 70-200 | X | | X | | |
| | 125-800 | | X | | X | |
| | 450-800 | | | | | X |
| L70QS | 70-200 | X | | X | | |
| | 125-800 | | X | | X | |
| | 450-800 | | | | | X |
| JLLN | 70-200 | X | | X | | |
| | 225-800 | | X | | X | |
| JLLS | 900-1200 | | | | | X |
| | 70-200 | X | | X | | |
| | 225-800 | | X | | X | |
| JLS | 900-1200 | | | | | X |
| | 70-100 | X | | X | | |
| | 110-200 | X | | X | | |
| | 225-400 | | X | | X | |
| SPFJ | 450-600 | | X | | X | |
| | 70-100 | X | | X | | |
| | 125-200 | X | | X | | |
| | 250-400 | | X | | X | |
| L75QS | 450 | | | | | X |
| | 35-100 | X | | X | | |
| | 125-800 | | X | | X | |
| | 450-800 | | | | | X |

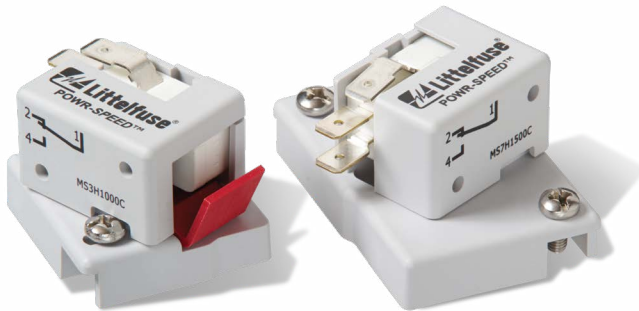
High-Speed Fuse Block Selection Guide

| FUSE SERIES | CATALOG NUMBER | LSCR001 | LSCR002 | LSCR101 | LSCR102 | LSCR103 |
|-------------|----------------|--------------------|--------------------|--------------|--------------|--------------|
| | TERMINAL SIZE | 1/4–20 UNC | 3/8–16 UNC | 1/4–20 UNC | 3/8–16 UNC | 1/2–13 UNC |
| | VOLTAGE RATING | 700 V ac/1500 V dc | 700 V ac/1500 V dc | 1000 V ac/dc | 1000 V ac/dc | 1000 V ac/dc |
| | AMPERE RATING | 400 A | 800 A | 400 A | 800 A | 1200 A |
| ESR1XLDB | 125 | | X | | | |
| ESR1XLUB | 125 | | | | | X |
| EV1K | 60–125 | X | | | | |
| EV1K | 150–600 | | X | | | |
| PSR030DL | 40–550 | | X | | | |
| PSR030DS | 40–550 | | X | | | |
| PSR030UL | 40–550 | | X | | | |
| PSR030US | 40–550 | | X | | | |
| PSR031DL | 200–800 | | X | | | |
| PSR031DS | 200–800 | | X | | | |
| PSR031UL | 200–800 | | | | | X |
| PSR031US | 200–800 | | | | | X |
| PSR032DL | 400–800 | | X | | | |
| PSR032DS | 400–800 | | X | | | |
| PSR032UL | 400–1100 | | | | | X |
| PSR032US | 400–1100 | | | | | X |
| PSR033DL | 450–800 | | X | | | |
| PSR033DS | 450–800 | | X | | | |
| PSR070DL | 50–315 | | | | X | |
| PSR070UL | 50–315 | | X | | | |
| PSR071DL | 160–450 | | | | X | |
| PSR071UL | 160–450 | | | | | X |
| PSR072DL | 250–630 | | | | X | |
| PSR072UL | 250–630 | | | | | X |
| PSR073DL | 315–700 | | | | X | |
| PSX1XLDB | 80–700 | | X | | | |
| PSX1XLUB | 80–700 | | | | | X |
| PSX3XLDB | 450–630 | | X | | | |

POWR-SPEED® Fuse Accessories

MS SERIES HIGH-SPEED FUSE MICROSWITCH

Microswitch for Square Body Fuse



Description

Littelfuse MS series external mount microswitches offer permanent blown fuse indication to PSR and PSX series high-speed square-body semiconductor fuses. They have one normally open (N.O.) and one normally closed (N.C.) contact rated for 4 A, 250 V ac.

These microswitches have a visual red flap or arm indicator that releases after fuse blown condition and can also be used for resetting the microswitch contacts.

Features/Benefits

- Available in three sizes to fit PSR and PSX series fuses
- Internal microswitch UL recognized
- Red flap visual indicator and contact reset mechanism

Specifications

| | |
|------------------------------|--|
| Voltage Rating | See Electrical Characteristics table |
| Amperage Rating | See Electrical Characteristics table |
| Operating Temperature | -25 °C to +125 °C |
| Relative Humidity | 85 % |
| Contact | Silver-nickel plated copper |
| Approvals | Internal microswitch part number: MS1-16Z0-A150, recognized under UL File: E176213 |
| Flammability | UL 94 V0 |
| Environmental | RoHS Compliant |
| Country of Origin | China |

Electrical Characteristics

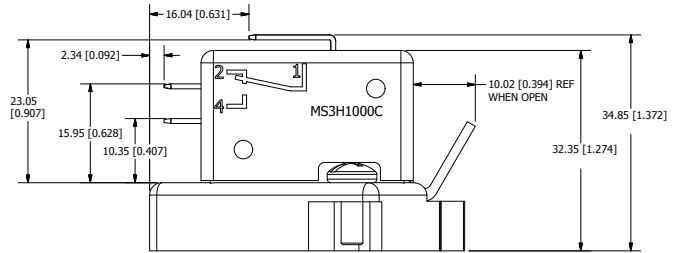
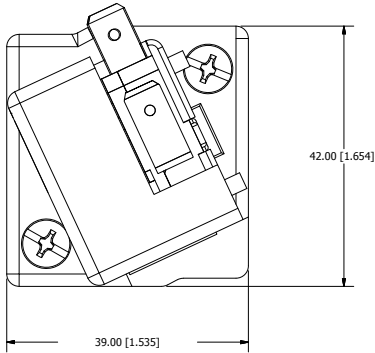
| CATALOG NUMBER | ORDERING NUMBER | INDICATING STYLE | INSULATION VOLTAGE RATING | COMPATIBLE FUSE SERIES | FUSE CASE SIZE | NON-INDUCTIVE LOAD | | | PACK QUANTITY |
|----------------|-----------------|------------------|---------------------------|------------------------|----------------|--------------------|----------|----------|---------------|
| | | | | | | 30 V DC | 125 V AC | 250 V AC | |
| MS3H1000C | MS3H1000C | Standard NO-NC | 1000 | PSR | 30, 31, 32, 33 | 10 A | 16 A | 4 A | 3 Pcs/Bag |
| MS7H1500C | MS7H1500C | Standard NO-NC | 1500 | PSR | 70, 71, 72, 73 | 10 A | 16 A | 4 A | 3 Pcs/Bag |
| MSXL2000C | MSXL2000C | Standard NO-NC | 2000 | PSX | 1XL, 3XL | 10 A | 16 A | 4 A | 1 Pcs/Bag |

POWR-SPEED® Fuse Accessories

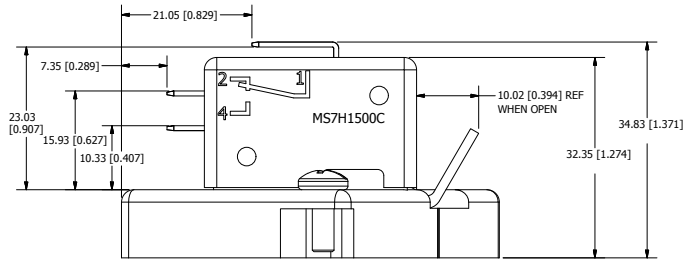
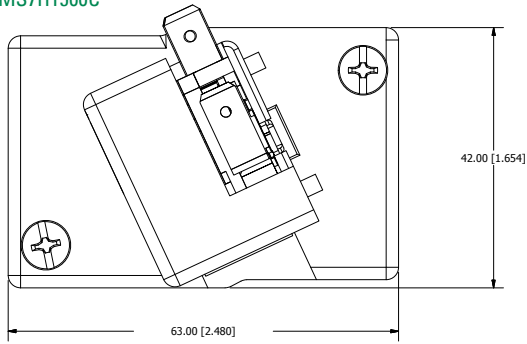
MS SERIES HIGH-SPEED FUSE MICROSWITCH

Dimensions

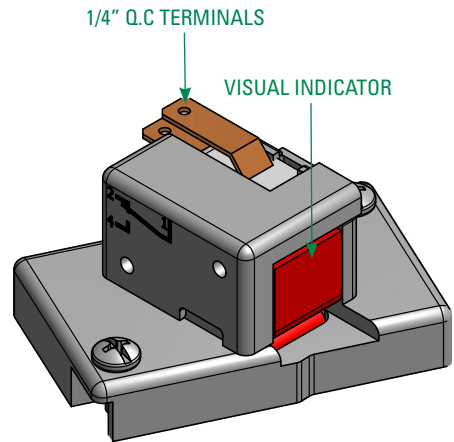
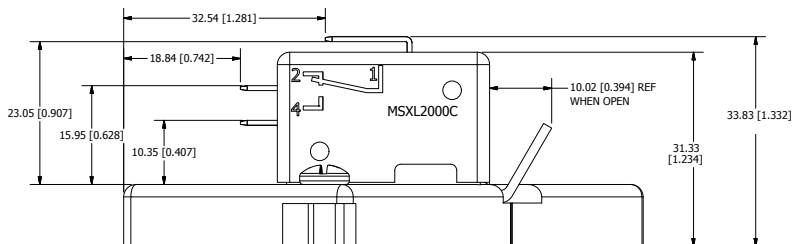
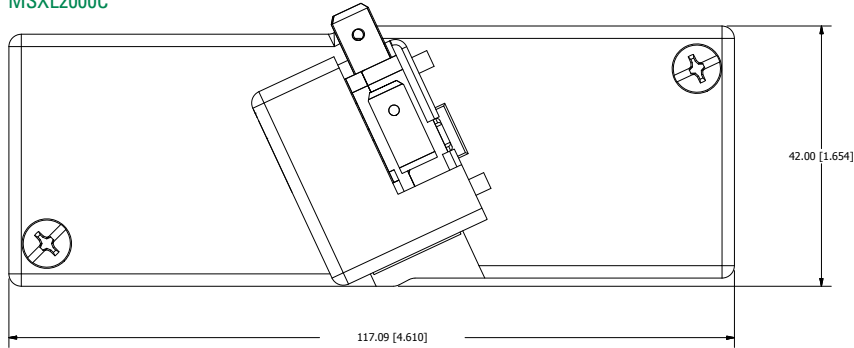
MS3H1000C



MS7H1500C



MSXL2000C



Special Purpose Fuses – Telecommunications

L17T SERIES FUSES

170 V dc • Current-Limiting • 70–1200 A



Description

Specifically designed for short-circuit protection of telecommunications circuits, the Littelfuse L17T series fuses provide reliable protection of sensitive dc power distribution systems. Constructed with silver plated elements for low I^2t and peak let-through, these advanced fuses virtually eliminate equipment damage due to surges and spikes. The L17T series fuse unique element geometry also provides cooler running temperatures, helping to minimize heat within enclosures.

Features

- Low I^2t
- Extremely current-limiting
- Low operating temperature
- 170 V dc rating

Specifications

| | |
|----------------------------|--|
| Voltage Rating | 170 V dc |
| Interrupting Rating | 100 kA |
| Ampere Range | 70–1200 A |
| Approvals | UL Recognized (File: E71611) CSA Recognized (File: LR29862) |

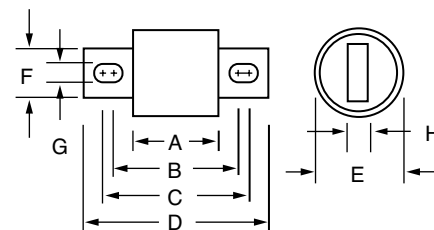
Ordering Information

| AMPERE RATINGS | | | | | | |
|----------------|-----|-----|-----|-----|------|------|
| 70 | 125 | 200 | 300 | 450 | 800 | 1100 |
| 90 | 150 | 225 | 350 | 500 | 900 | 1200 |
| 100 | 175 | 250 | 400 | 600 | 1000 | — |

| SERIES | VOLTAGE | AMPERAGE | CATALOG NUMBER | ORDERING NUMBER |
|--------|---------|----------|----------------|-----------------|
| L17T | 170 | 1200 | L17T 1200 | L17T1200V |

Dimensions Inches (mm)

| AMPERE RATING | DIMENSIONS INCHES (mm) | | | | | | | |
|---------------|---|---|--|---|---|---|---|---------------------------------------|
| | A | B | C | D | E | F | G | H |
| 70–250 | 1 ⁵ / ₃₂ (29.4) | 1 ¹ / ₈ (47.6) | 2 ³ / ₁₆ (55.6) | 2 ²¹ / ₃₂ (67.5) | 1 (25.4) | ⁷ / ₈ (22.2) | 0.327 (8.3) | ³ / ₁₆ (4.8) |
| 300–800 | 1 ¹ / ₄ (31.8) | 1 ¹⁵ / ₁₆ (49.2) | 2 ⁹ / ₁₆ (65.1) | 3 ¹ / ₂ (88.9) | 1 ¹ / ₂ (38.1) | 1 (25.4) | ¹³ / ₃₂ (10.3) | ¹ / ₄ (6.35) |
| 900–1200 | 1 ¹¹ / ₃₂ (34.0) | — | — | 4 ¹ / ₁₆ (103.1) | — | 1 ¹ / ₂ (38.1) | — | ¹ / ₄ (6.35) |



Recommended Fuse Holders

LTFD 6001 and LTFD 1200 series, visit: Littelfuse.com/lbfd

Web Resources

For additional information, visit: Littelfuse.com/l17t

Special Purpose Fuses – Telecommunications

TLS SERIES FUSES

170 V dc • Current-Limiting • 1–125 A



Description

Littelfuse TLS series fuses are designed specifically for the protection of telecommunications equipment. TLS fuses have been engineered to operate up to 170 V dc to provide current-limiting short-circuit protection for cables and components found in the dc power distribution circuits of telecommunications systems. The compact design and multiple mounting configurations of the TLS series allow it to be used in a variety of applications.

Features

- 170 V dc rating
- Current-limiting
- 1–125 amperes rating
- Multiple mounting configurations — cartridge, vertical, leaded, bolt-in, or solder type. See dimensions on the following pages for mounting style details.
- RoHS Compliant

Applications

- Telecommunication equipment protection
- Short-circuit current protection

Recommended Fuse Holders

- LFTD series disconnect switches
- LFT30060 for TLS series cartridge style fuse

Contact factory for more information.

Web Resources

For additional information, visit: Littelfuse.com/tls

Specifications

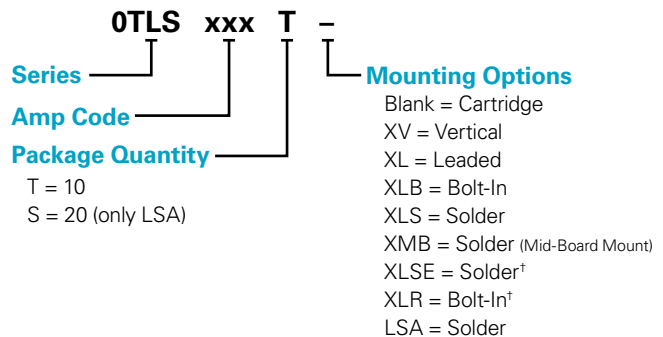
| | |
|-----------------------------|---|
| Voltage Rating | 170 V dc |
| Ampere Range | 1–125 amperes |
| Interrupting Rating | 100 kA |
| Approvals | UL Recognized (File: E71611) TUV (70 kA IR) |
| Material | Body: glass melamine Caps: silver-plated brass |
| Environmental | RoHS Compliant, lead (Pb) free |
| Applicable Standards | UL 248-1 IEC-60269-4 |

Ordering Information

| AMPERE RATINGS | | | | |
|----------------|----|----|----|------|
| 1 | 6 | 25 | 50 | 90 |
| 2 | 10 | 30 | 60 | 100 |
| 3 | 15 | 35 | 70 | 110* |
| 5 | 20 | 40 | 80 | 125* |

*Available in standard cartridge, LSE solder, and LR bolt-in.

Part Numbering System



| SERIES | AMPERE | MOUNTING METHOD | MOUNTING SUFFIX | CATALOG NUMBER | ORDERING NUMBER | FUSE LABEL ID |
|--------|--------|-----------------|-----------------|----------------|-----------------|---------------|
| TLS | 6 | Cartridge | - | TLS006 | 0TLS006.T | TLS 6A |
| TLS | 15 | Vertical | V | TLS015V | 0TLS015.TXV | TLS 15A-V |
| TLS | 35 | Leaded | L | TLS035L | 0TLS035.TXL | TLS 35A-L |
| TLS | 50 | Bolt-In | LB | TLS050LB | 0TLS050.TXLB | TLS 50A-LB |
| TLS | 80 | Solder | LS | TLS080LS | 0TLS080.TXLS | TLS 80A-LS |
| TLS | 100 | Solder | MB | TLS100MB | 0TLS100.TXMB | TLS 100A-MB |
| TLS | 125 | Solder | LSE | TLS125LSE | 0TLS125.TXLSE | TLS 125A-LSE |
| TLS | 125 | Bolt-In | LR | TLS125LR | 0TLS125.TXLR | TLS 125A-LR |
| TLS | 30 | Solder | LSA | TLS030LSA | 0TLS030.SLSA | TLS 30A-LSA |

[†]Option is available for 35 to 125 amperage only

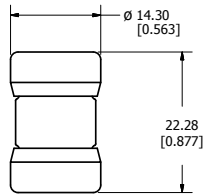
Special Purpose Fuses – Telecommunications

TLS SERIES FUSES

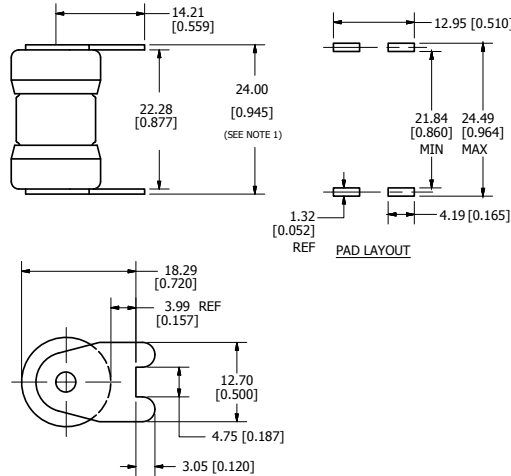
Dimensions

Millimeters [inches]

Ferrule Version - TLS

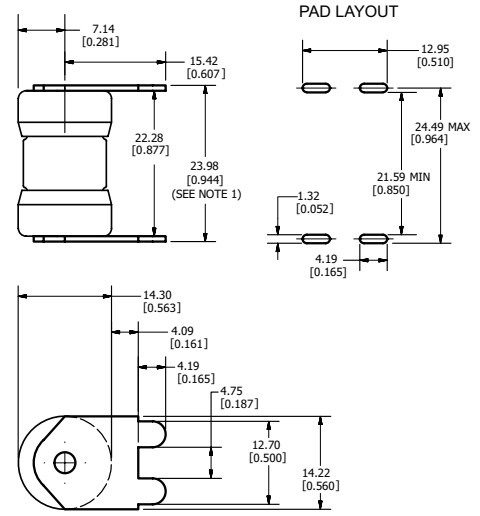


Solder Mount - LS Version



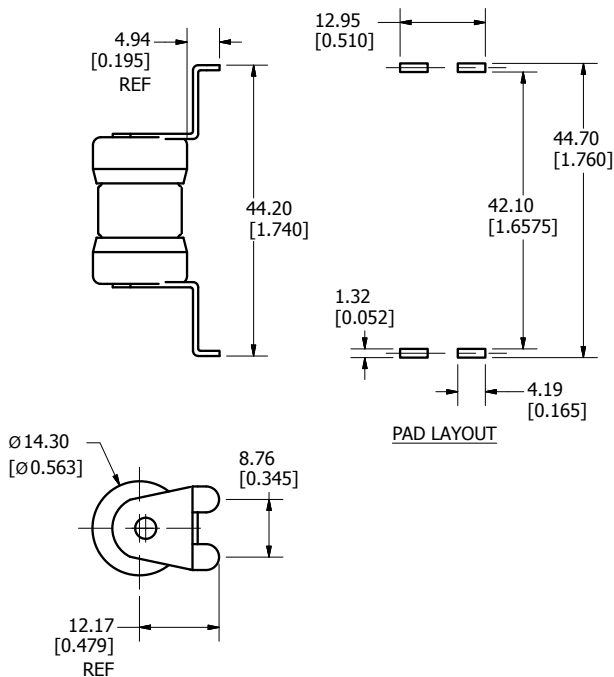
NOTE:
1. MEASUREMENT TAKEN AT END OF TERMINALS.

Solder Mount - LSE Version

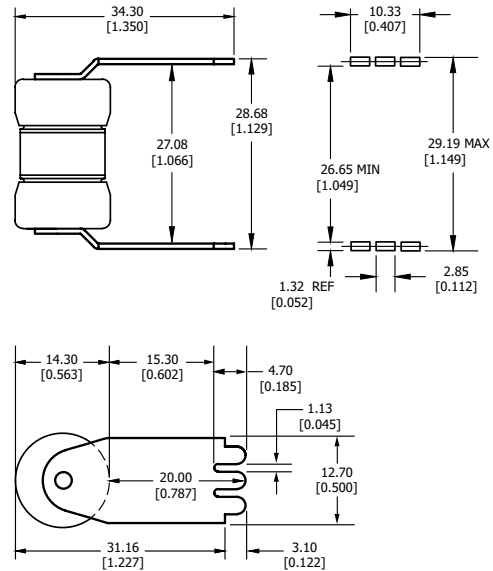


NOTE 1: Measurement taken at end of terminals.

Solder Mount - L Version

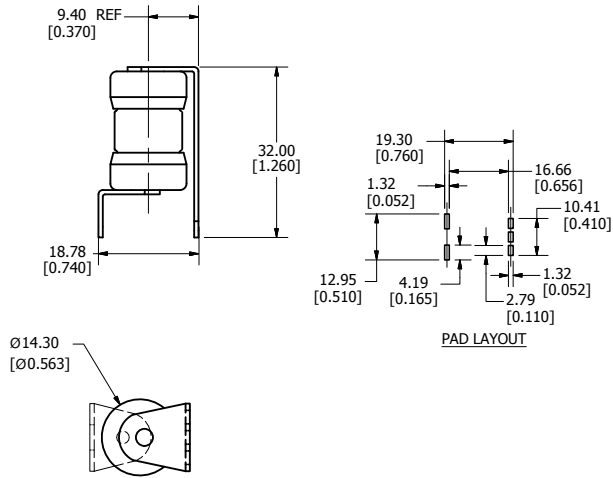


Solder Mount - LSA Version

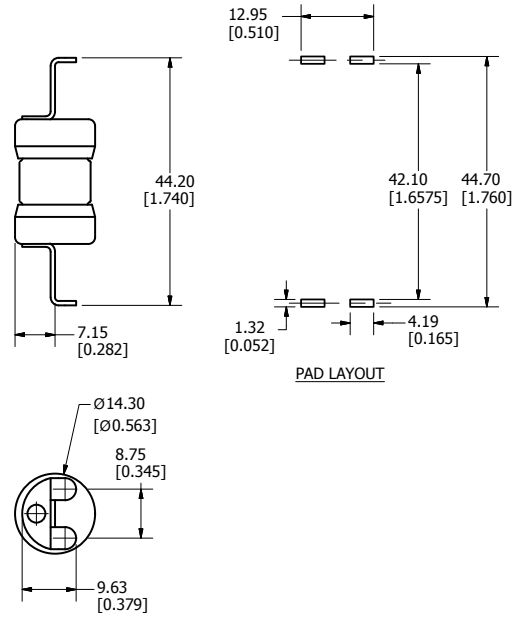


Dimensions Millimeters [inches]

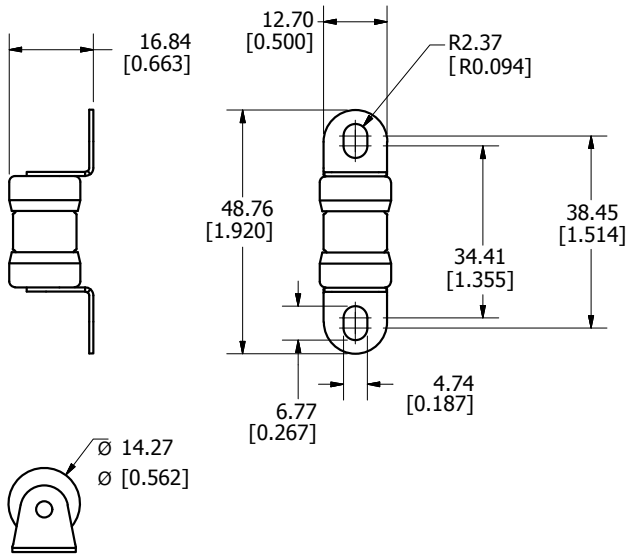
Solder Mount - V Version



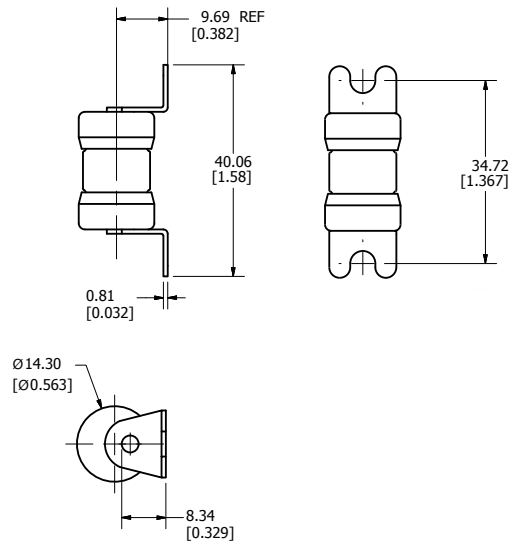
Solder Mount - MB Version



Bolt-In Mount - LR Version



Bolt-In Mount - LB Version



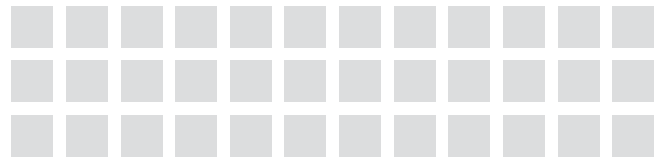
NOTES:

RECOMMENDED HARDWARE: #8 SLOTTED HEX WASHER HEAD MACHINE SCREW

TORQUE: 10 IN-LB

POWR-SPEED® Fuse

CROSS REFERENCE GUIDE



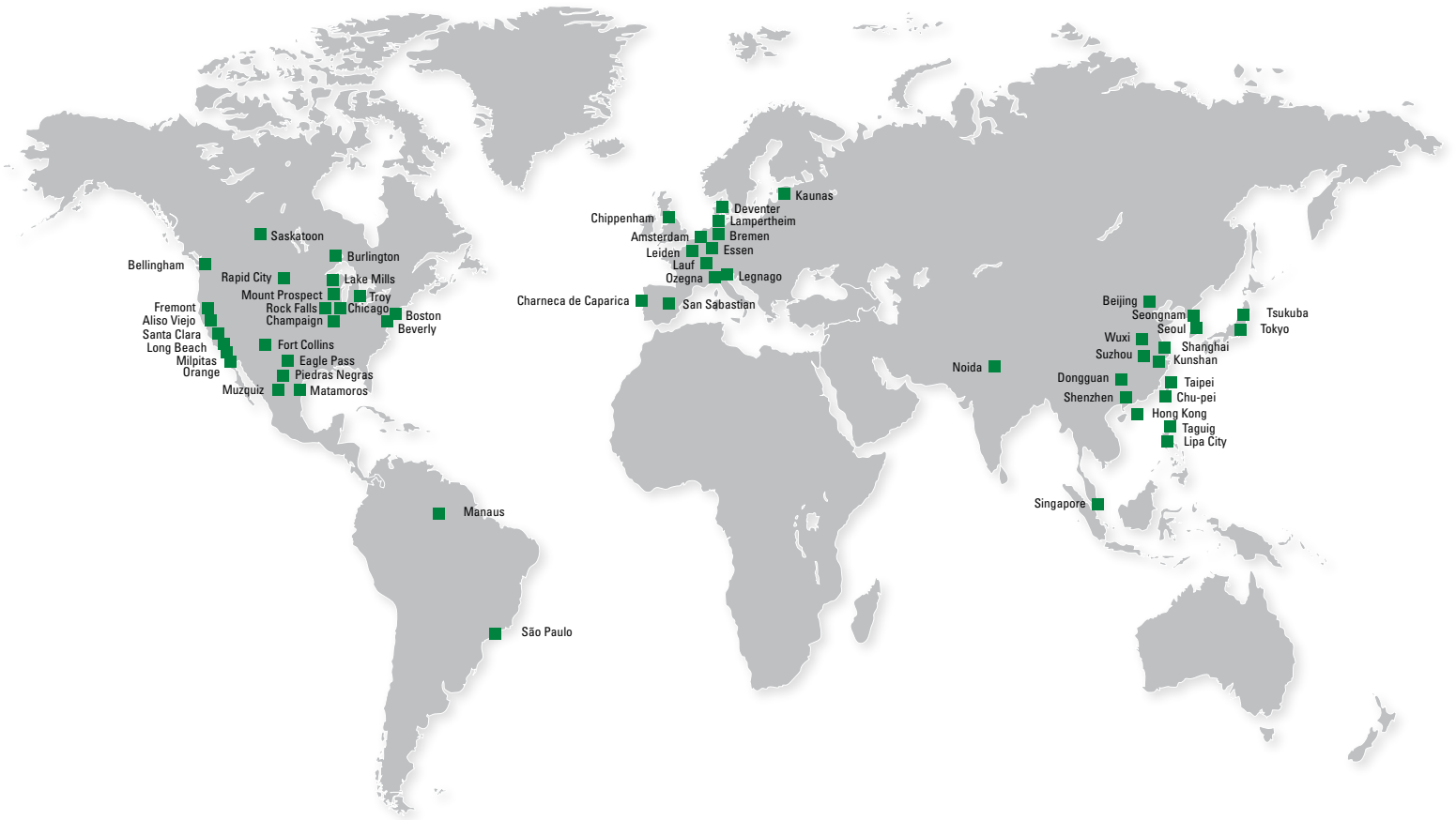
This guide covers the most popular high-speed fuse types that Littelfuse has in stock and ready to ship. The cross reference is meant to serve as a guide for quick identification and product selection. We suggest you check all applicable specifications before making substitutions.

| COMPETITOR | LITTELFUSE | COMPETITOR | LITTELFUSE | COMPETITOR | LITTELFUSE |
|-------------------|------------|------------|------------|--------------|--------------|
| 90 203 38 LG | ESR | A50QS | L50QS | PSC_9X | PSX |
| 90-445 | PSX | A60X | L60S | RFA | L15S |
| 90-447 | PSX | A70P | L70QS | RFC | KLC |
| 170M | PSR | A70QS | L70QS | RFL (750 V) | L70S (700 V) |
| 170M (size 4) | PSX | CHSF | L50QS | RFV | L50S ‡ |
| A_UD | PSR | ESS3 | ESR | RSZ307-3-RAZ | ESR |
| A013F | L15S | FWA | L15S † § | SF13X | L15S |
| A015F | L15S | FWH | L50QS | SF25X | L25S |
| A015R | L15S | FWP | L70QS | SF50P | L50S ‡ |
| A025F | L25S | FWX | L25S * † | SF60X | L60S |
| A050F | L50S ‡ | KAA | L15S | SF70P | L70S ‡ |
| A060F | L60S | KAB | L25S | XL25X | L25S |
| A070F | L70S ‡ | KAC | KLC | XL50F | L50S * ‡ |
| A13X | L15S | KBH | L50S ‡ | XL70F | L70S * ‡ |
| A25X | L25S † | PC_UD | PSR | | |
| A50P (type 1 & 4) | L50QS | PSC | PSR | | |

For more information or a complete listing of high-speed fuses offered visit Littelfuse.com/POWR-SPEED or call 1-800-TEC-FUSE.

* Check specific mounting dimensions before substituting.
 † Check characteristics and dimensions for application before substituting.
 ‡ For replacement purpose only. For new application L50QS or L70QS series are recommended.
 § Verify voltage for dc applications.

Local Resources for a **GLOBAL** Market



Protection Relays & Controls Catalog (PF130N)

The comprehensive line of electronic and microprocessor-based protection relays safeguard equipment and personnel to prevent expensive damage, downtime or injury due to electrical faults.



Fuses and Fuse Holders Catalog (PF101N)

Littelfuse offers a complete circuit protection portfolio of industrial power fuses, including time-saving indication products for an instant visual blown-fuse identification.



POWR-GARD® Solar Catalog (PF140N)

POWR-GARD® Solar Products are designed specifically for photovoltaic applications where issues such as heat, efficiency, longevity and global standards impact the choices in selecting circuit protection.

To view all Littelfuse product catalogs, visit our website at littelfuse.com/Catalogs

Visit Technical Resources at Littelfuse.com

Technical information is only a click away. The Littelfuse Technical Resources contains datasheets, product manuals, whitepapers, application guides, demos, on-line design tools, and more.

An Extension of Your Team

Technical Hotline (800-TEC-FUSE or 800-832-3873)

Littelfuse engineers are a phone call away to help identify potential issues and provide product recommendations to resolve problems.

Application and Field Support

Our experienced product and application engineers work step-by-step with customers from design to installation to determine the best solution.



North America

Littelfuse World Headquarters

8755 West Higgins Road, Suite 500
Chicago, IL 60631, USA

Littelfuse SymCom

1241 Concourse Drive
Rapid City, SD 57703, USA

Littelfuse Startco

140 – 15 Innovation Boulevard
(The Galleria Building)
Saskatoon, SK S7N 2X8, Canada
Tel: +1-306-373-5505

Hartland Controls now part of **Littelfuse**

807 Antec Road
Rock Falls, IL 61071, USA
Tel: +1-815-626-5170

Technical Support:

Tel: +1-800-TEC-FUSE
E-mail: techline@littelfuse.com

Customer Service:

Tel: +1-800-227-0029
E-mail: PG_CSG@littelfuse.com

Asia

Littelfuse

Unit 1604B Desay Building,
Gaoxin Nanyi Ave.
Hi-Tech Industrial Park
Nashan District
Shenzhen, 518057, China
+86 755 8207 0760

Europe

Littelfuse

Julius-Bamberger-Str. 8a
Bremen, D-28279, Germany
+49 421 82 87 3 147



Littelfuse products are certified to many standards around the world. To check certifications on specific product please refer to the product datasheet on Littelfuse.com.

Disclaimer Notice – Information furnished is believed to be accurate and reliable. However, users should independently evaluate the suitability of and test each product selected for their own applications. Littelfuse products are not designed for, and may not be used in, all applications. **Read complete Disclaimer Notice at www.littelfuse.com/product-disclaimer.**