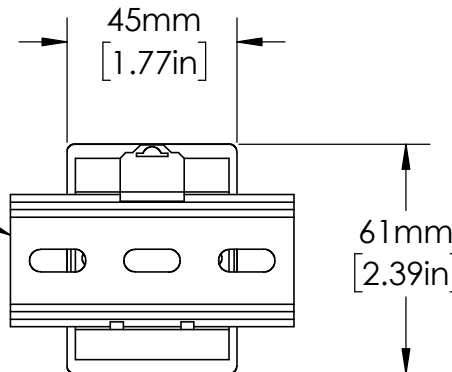


OT08PC  
RELAY SOCKET

EN550022 (35.0 x 7.5)  
DIN RAIL SHOWN



UNLESS NOTED OTHERWISE  
DIMENSIONS ARE IN INCHES  
TOLERANCES:  
TWO PLACE DECIMAL ±0.05  
NOT DRAWN TO SCALE

MATERIAL	
NAME	DATE
DRAWN BY J.MOLER 02/03/23	



DESCRIPTION:  
**VOLTAGE MONITORING**

PART NUMBER:  
**PLMU SERIES**      REV  
**A**

WEIGHT:      SHEET 1 OF 1