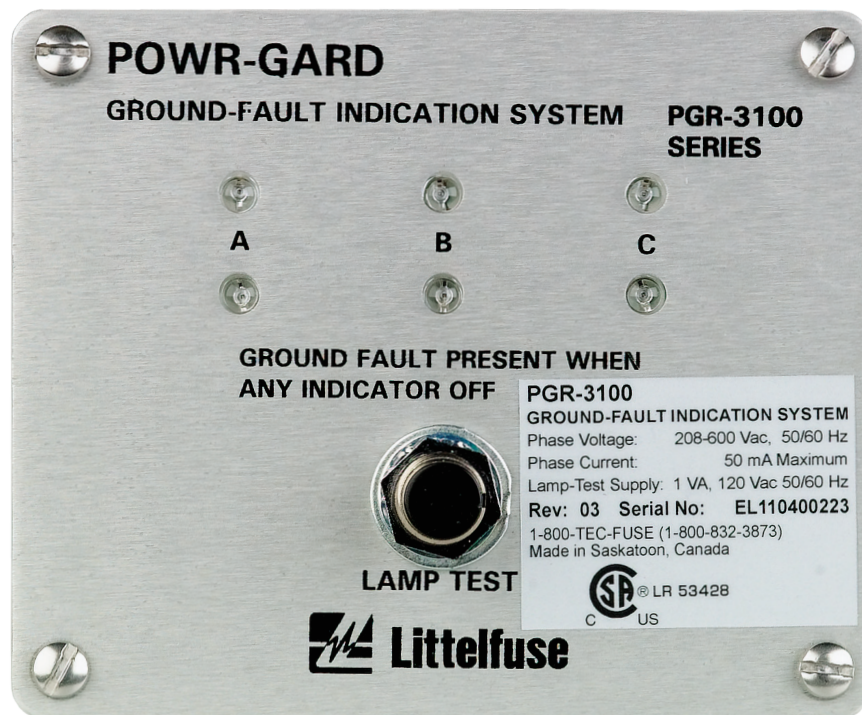


PGR-3100 MANUAL

GROUND-FAULT INDICATION SYSTEM

Revision 6-B-061422

Copyright © 2022 Littelfuse
All rights reserved.

Document: P95-EPI0-00000

This page intentionally left blank.

TABLE OF CONTENTS

1 FEATURES..... 1

2 DESCRIPTION 1

3 INSTALLATION 1

4 TECHNICAL SPECIFICATIONS..... 4

LIST OF FIGURES

1 *PGR-3100 Outline and Mounting Details* 1

2 *Connection Diagram for an Ungrounded
240- to 600-V System* 2

3 *Connection Diagram for an Ungrounded
System above 600 V*..... 2

4 *Connection Diagram for a
Resistance-Grounded System up to 600 V*..... 3

5 *Connection Diagram for a
Resistance-Grounded System above 600 V*3

DISCLAIMER

Specifications are subject to change without notice.
Littelfuse, Inc. is not liable for contingent or consequential
damages, or for expenses sustained as a result of a mal-
function, incorrect application, or incorrect adjustment.

This page intentionally left blank.

1. FEATURES

- Green LEDs indicate presence of voltage to ground for each phase of a power system.
 - A ground fault (or phase loss) is indicated when a set of LEDs is off.
 - For systems up to 240 Vac, LEDs are on when phase-to-ground voltage exceeds 25 Vac.
 - For systems above 240 Vac up to 600 Vac, LEDs are on when phase-to-ground voltage exceeds 40 Vac.
 - Redundant LEDs are used for reliability.
- Pressing LAMP TEST causes all LEDs to light.

NOTE: The LAMP TEST feature requires an isolated 120 Vac supply.

- Direct connection for voltages up to 600 Vac line to line.
 - Potential transformers (PTs) are required for voltages greater than 600 Vac.
- Provides faulted-phase indication for resistance-grounded systems and ungrounded systems.

2. DESCRIPTION

The PGR-3100 is a self-powered ground-fault indication system. Presence of phase-to-ground voltage is indicated by redundant LEDs (two per phase). The respective phase LEDs are off when phase-to-ground voltage is less than 25 Vac for L terminals, and less than 40 Vac for H terminals. The PGR-3100 meets the National Electrical Code requirements for ground detectors for ungrounded alternating-current systems as defined in NEC 250.21. It also meets the Canadian Electrical Code requirements for ungrounded alternating-current systems in accordance with C22.1 Rule 10-400 (2).

3. INSTALLATION

Outline and panel-mounting details are shown in Fig.1.

For 208- to 600-Vac systems, connect the PGR-3100 directly to the three-phase bus. For 208- or 240-volt installations, use terminals AL, BL, and CL. For systems above 240 V and up to 600 V use terminals AH, BH, and CH. See Figs. 2 and 4.

For systems above 600 V, install PTs as shown in Figs. 3 and 5.

Connect terminal G and chassis-bonding terminal (⊕) to ground.

For LAMP TEST connect 120 Vac supply to terminals L and G. Connection and use of LAMP TEST circuit is optional.

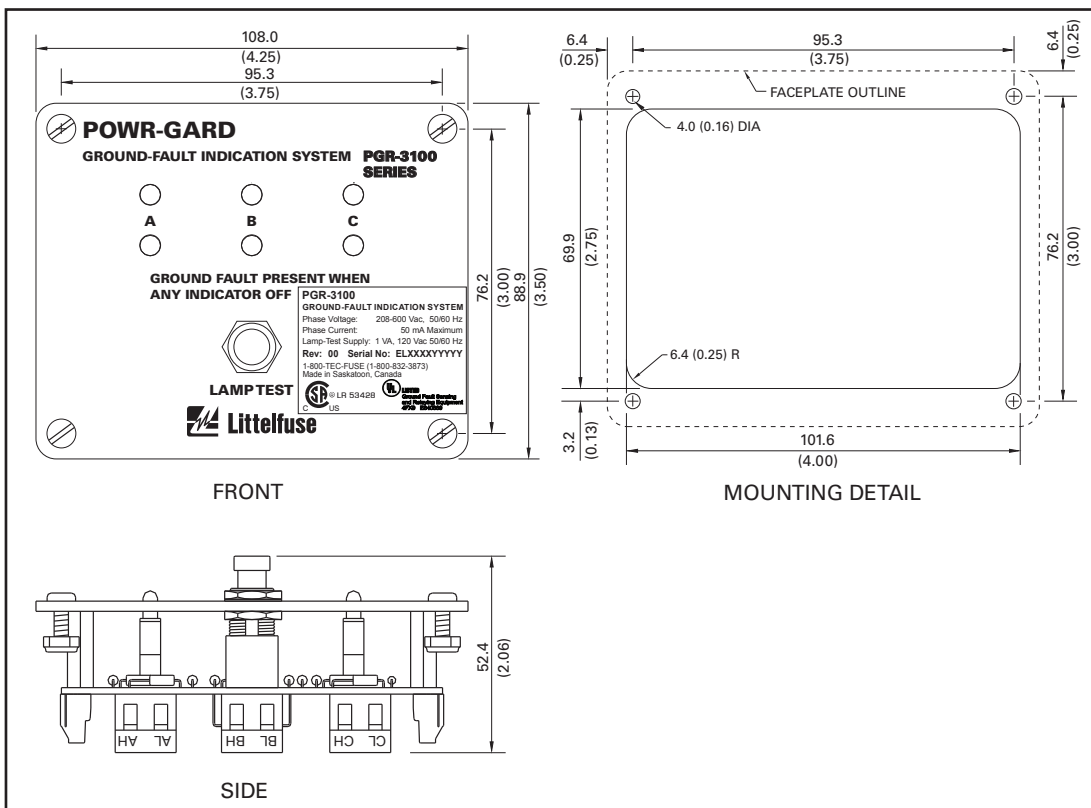


FIGURE 1. PGR-3100 Outline and Mounting Details.

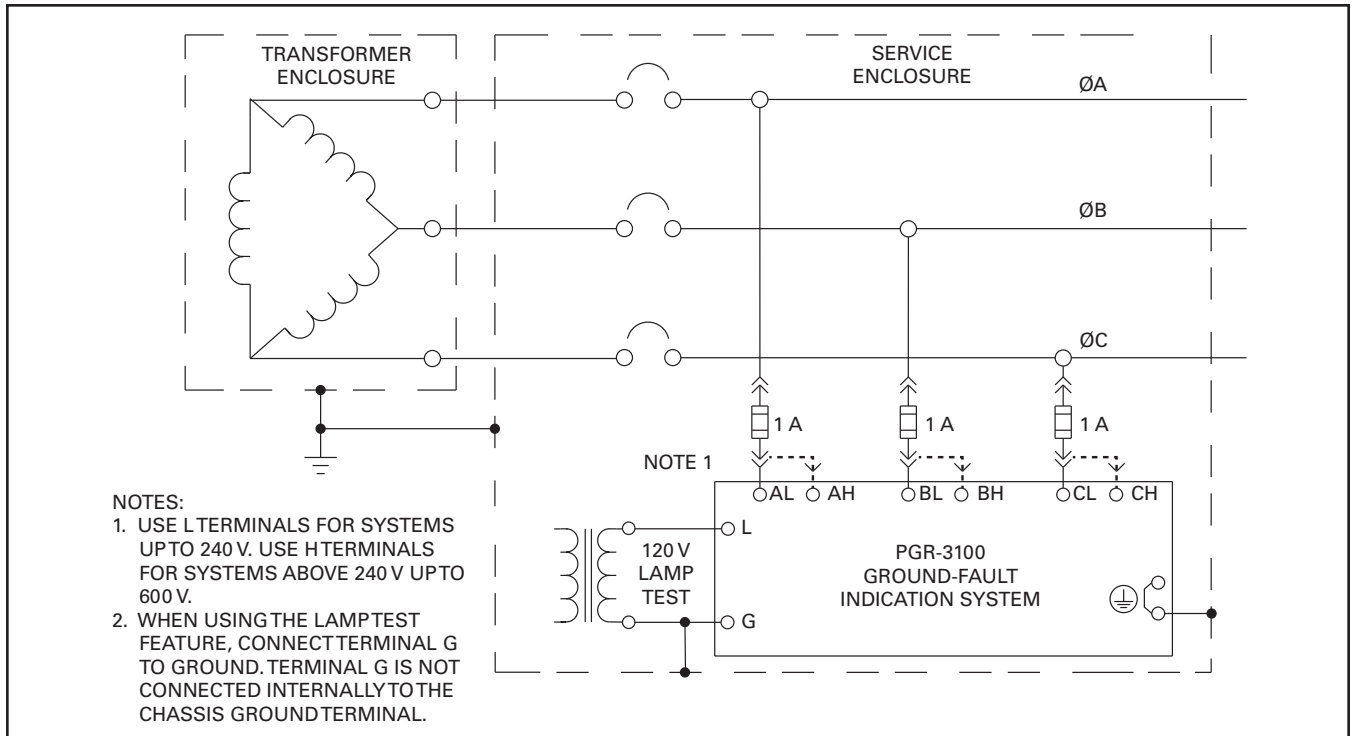


FIGURE 2. Connection Diagram for an Ungrounded 240- to 600-V System.

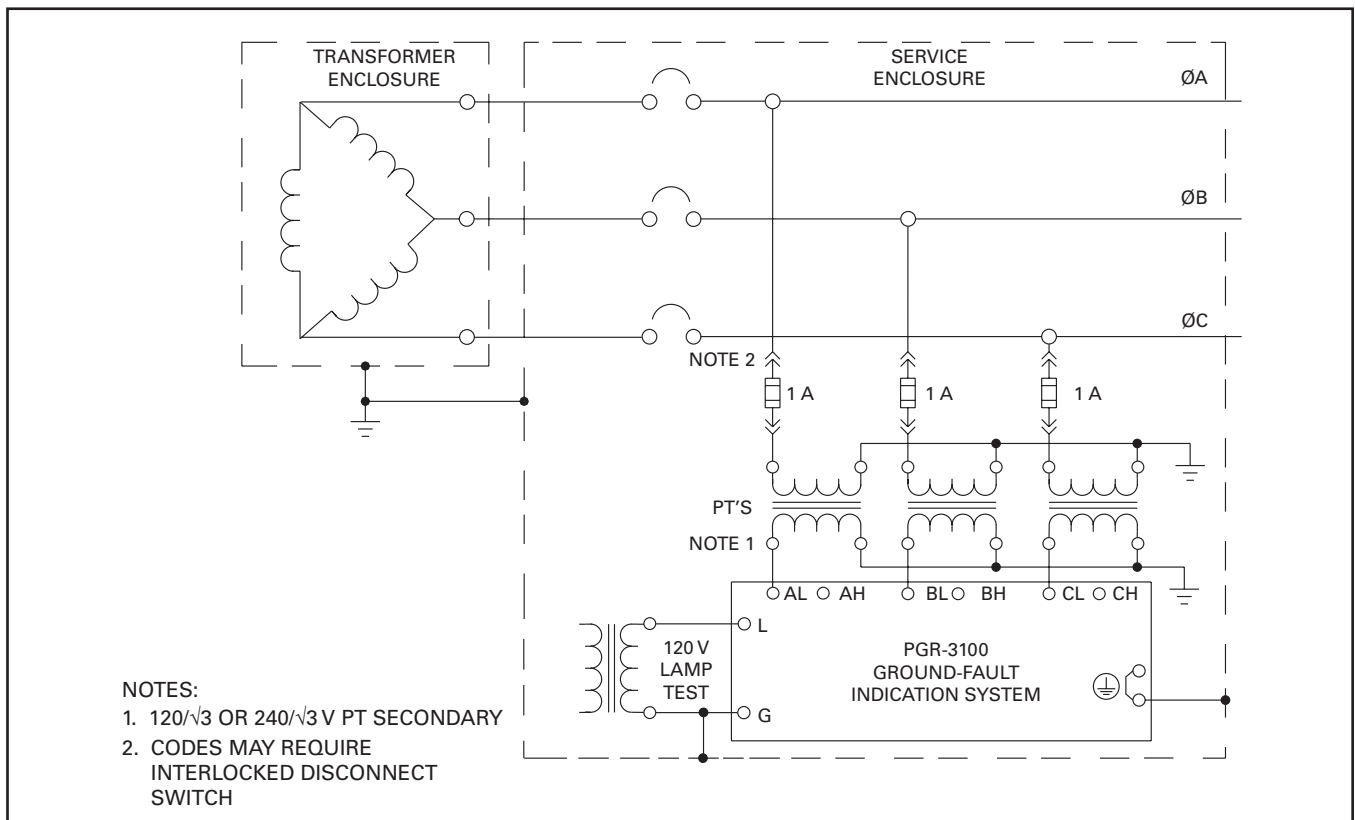


FIGURE 3. Connection Diagram for an Ungrounded System above 600 V.

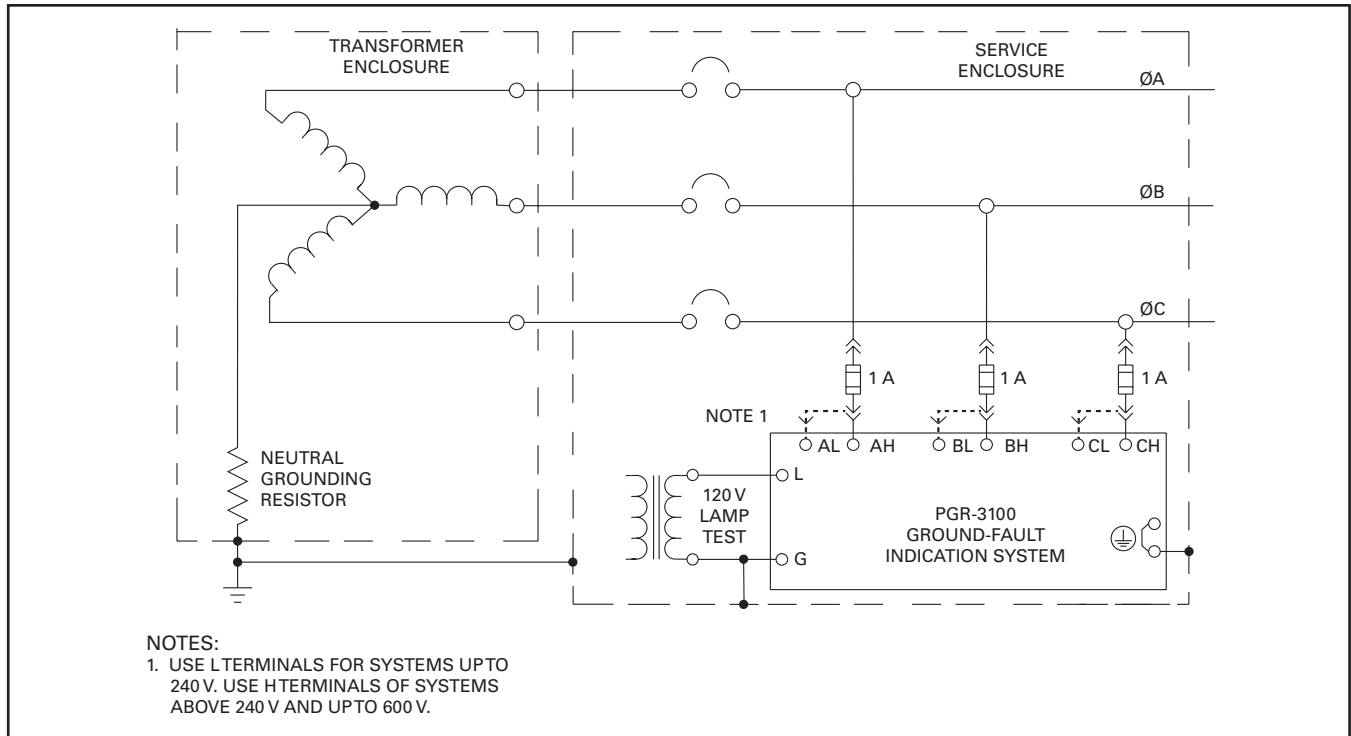


FIGURE 4. Connection Diagram for a Resistance-Grounded System up to 600 V.

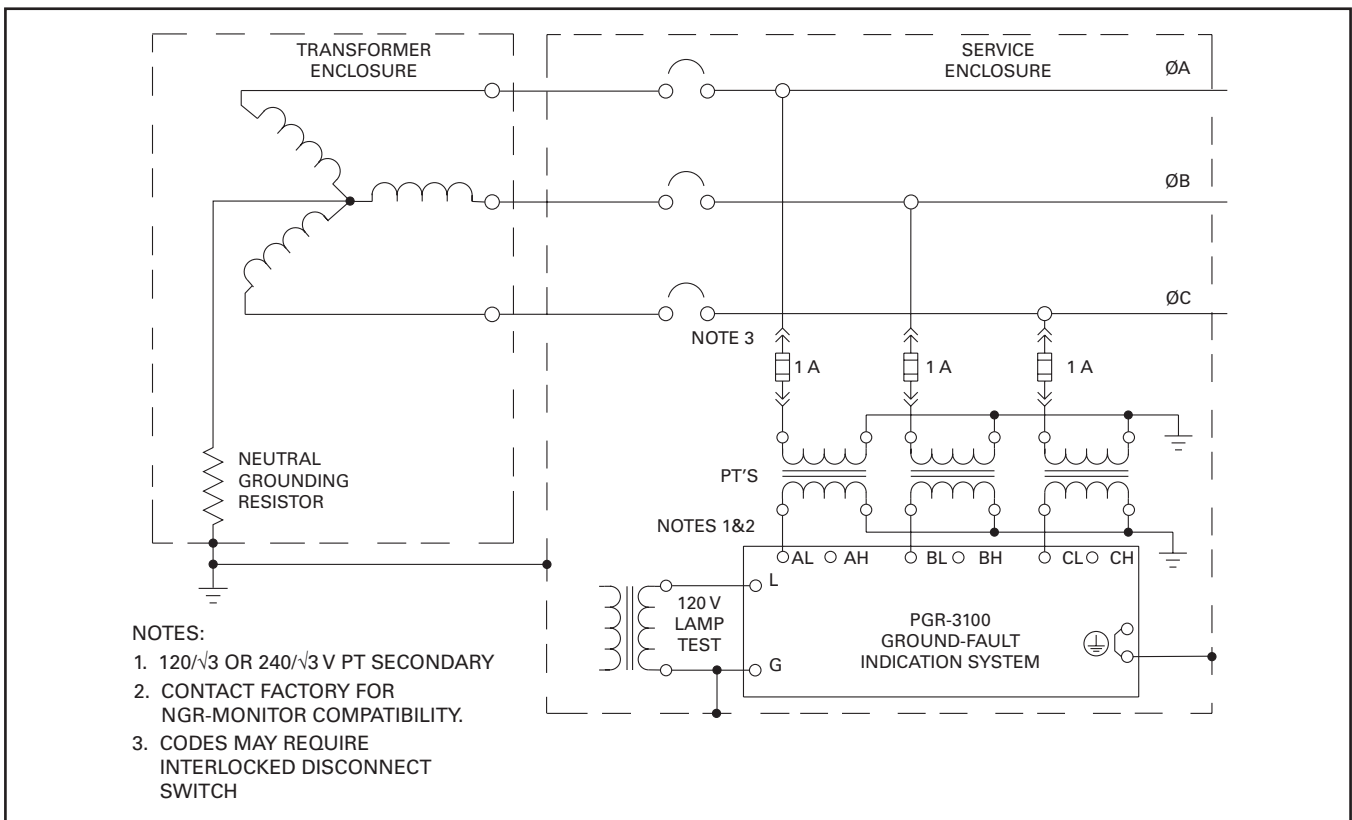


FIGURE 5. Connection Diagram for a Resistance-Grounded System above 600 V.

4. TECHNICAL SPECIFICATIONS

Phase Voltage

Input L, maximums240 Vac to ground,
3.5 mA
Input H, maximums600 Vac to ground,
4.5 mA

Lamp TestIsolated 120 Vac,
1 VA maximum

LED Threshold

Input L, minimum25 Vac
Input H, minimum.....40 Vac

Dielectric Strength2,200 Vac, 1 minute

Shipping Weight0.3 kg (0.8 lb.)

Dimensions:

Height.....108 mm (4.3 in.)
Weight.....88.9 mm (3.5 in.)
Depth.....54 mm (2.1 in.)

Environment:

Operating Temperature.....-40 to 60°C (-40 to 140°F)
Storage Temperature-55 to 80°C (-67 to 176°F)
Humidity85% Non-Condensing
Enclosure RatingIP40 (When installed
on panel)

Terminals:

TypeWire Clamping
Conductor Size24 to 12 AWG
(0.2 to 3.3 mm²)
Tightening Torque0.6 N·m (5.31 lbf·in)

PWB Conformal CoatingMIL-1-46058 qualified
UL QMJU2 recognized

Certification.....CSA, USA and Canada



UL Listed



**APPENDIX A
PGR-3100 REVISION HISTORY**

MANUAL RELEASE DATE	MANUAL REVISION	PRODUCT REVISION (REVISION NUMBER ON PRODUCT LABEL)
June 14, 2022	6-B-061422	03
June 08, 2018	6-A-060818	
March 09, 2012	6	

MANUAL REVISION HISTORY

REVISION 6-B-061422

SECTION 1

Updated Canadian Electrical Code reference.

SECTION 4

Added individual L and H input minimum thresholds.
Added Terminal information.

REVISION 6-A-060818

SECTION 1

Format updated.

PRODUCT REVISION HISTORY

PRODUCT REVISION 03