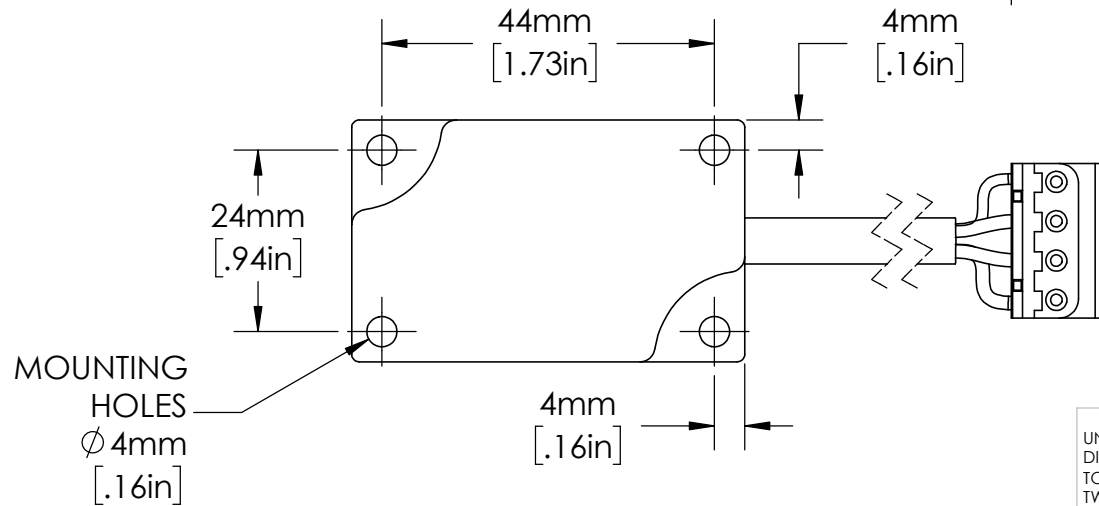
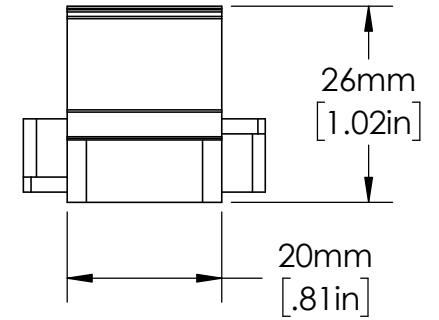
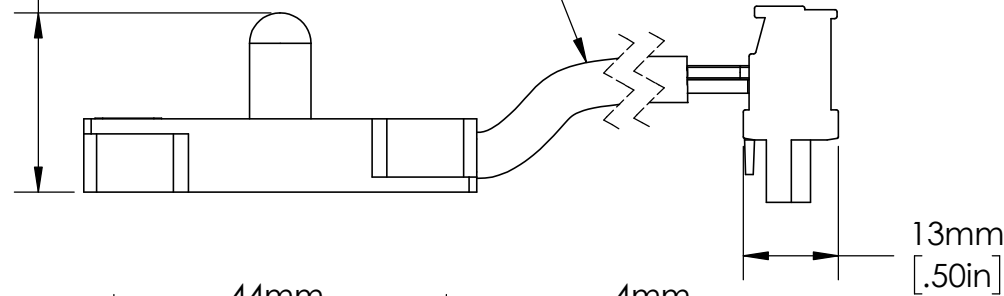
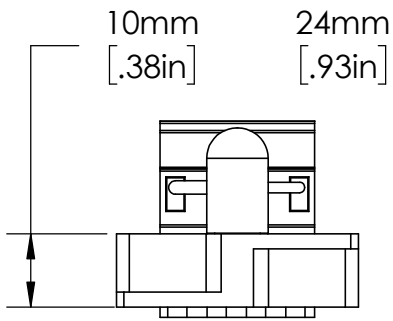


SENSOR IS SUPPLIED WITH 10 METER (32.8ft.) LONG CABLE.



MOUNTING HOLES
 \varnothing 4mm
 [.16in]

UNLESS NOTED OTHERWISE
 DIMENSIONS ARE IN INCHES
 TOLERANCES:
 TWO PLACE DECIMAL ±0.05
 NOT DRAWN TO SCALE

MATERIAL	
NAME	DATE
DRAWN BY J.MOLER 03/22/23	



DESCRIPTION:
 ARC FLASH DETECTION
 POINT SENSOR RELAY ACCESSORY
 PART NUMBER: PGA-LS10
 WEIGHT: SHEET 1 OF 1

REV
 A