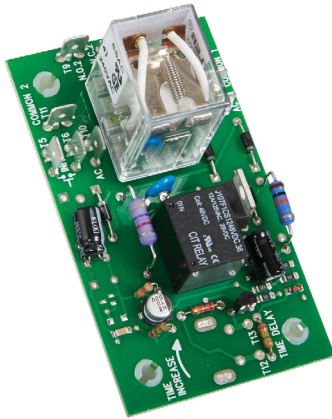


ORS SERIES



Description

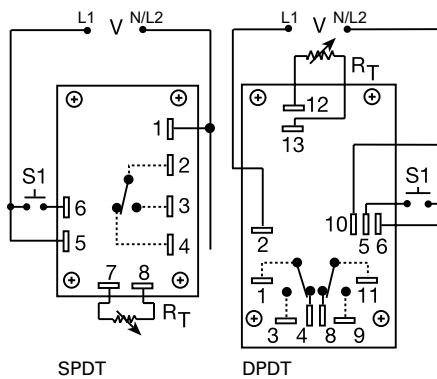
The ORS Series' open PCB construction offers the user good economy without sacrificing performance and reliability. The output relay is available in isolated, 10A, DPDT or SPDT forms. The time delay may be ordered as factory fixed, onboard knob, or external adjustment. All connections are 0.25 in. (6.35 mm) male quick connect terminals.

Operation (Single Shot)

Input voltage must be applied before and during timing. Upon momentary or maintained closure of the initiate switch (leading edge triggered), the output relay energizes for a measured interval of time. At the end of the time delay, the output de-energizes. Opening or reclosing the initiate switch during timing has no effect on the time delay. The output will energize if the initiate switch is closed when input voltage is applied.

Reset: Reset occurs when the time delay is complete and the initiate switch is opened. Loss of input voltage resets the time delay and output.

Wiring Diagram



V = Voltage
S1 = Initiate Switch

Relay contacts are isolated.

R_T is used when external adjustment is ordered.

Features & Benefits

| FEATURES | BENEFITS |
|--|--|
| Open PCB construction | Reduces cost without sacrificing performance and reliability |
| Analog circuitry | Repeat accuracy + / - 2%, Factory calibration + / - 10% |
| Isolated, 10A, SPDT or DPDT output contacts | Allows control of loads for AC or DC voltages |
| Line voltage initiation | Separate control voltage is not required for operation |

Accessories

P1004-12, P1004-12-X Versa-Pot
Panel mountable, industrial potentiometer recommended for remote time delay adjustment.

P0700-7 Versa-Knob
Designed for 0.25 in (6.35 mm) shaft of Versa-Pot. Semi-gloss industrial black finish.

P1015-64 (AWG 14/16) Female Quick Connect
These 0.25 in. (6.35 mm) female terminals are constructed with an insulator barrel to provide strain relief.

P1015-18 Quick Connect to Screw Adapter
Screw adapter terminal designed for use with all modules with 0.25 in. (6.35 mm) male quick connect terminals.

Ordering Information

| MODEL | INPUT VOLTAGE | ADJUSTMENT | TIME DELAY | OUTPUT FORM |
|--------------|---------------|------------|------------|-------------|
| ORS120A150SD | 120VAC | Fixed | 50s | DPDT |
| ORS230A150SD | 230VAC | Fixed | 50s | DPDT |

If you don't find the part you need, call us for a custom product 800-843-8848

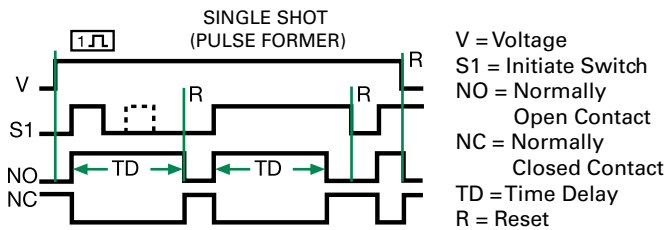
ORS SERIES

Selection Guide

| RT Selection Chart | | | | | |
|---------------------|-----|-----|-----|-----|--------------|
| Desired Time Delay* | | | | | RT Megohm |
| Seconds | | | | | |
| 1 | 2 | 3 | 4 | 5 | |
| 0.05 | 0.5 | 0.6 | 1.2 | 3.0 | 0.0 |
| 0.5 | 5.0 | 10 | 20 | 50 | 0.5 |
| 1.0 | 10 | 20 | 40 | 100 | 1.0 |
| 1.5 | 15 | 30 | 60 | 150 | 1.5 |
| 2.0 | 20 | 40 | 80 | 200 | 2.0 |
| 2.5 | 25 | 50 | 100 | 250 | 2.5 |
| 3.0 | 30 | 60 | 120 | 300 | 3.0 |

* When selecting an external RT add at least 20% for tolerance of unit and the RT.

Function Diagram



Specifications

Time Delay

Type

Analog circuitry

Range

0.05 - 300s in 5 adjustable ranges or fixed

Repeat Accuracy

±2% or 20ms, whichever is greater

Tolerance

(Factory Calibration)

Adjustable: guaranteed range

Fixed: ±10%

Reset Time

≤ 50ms

Initiate Time

≤ 70ms

Time Delay vs Temp.

≤ ±10%

& Voltage

Input

Voltage

24, 120, or 230VAC

Tolerance

24VAC

-15% - 20%

120 & 230VAC

-20% - 10%

AC Line Frequency

50/60 Hz

Power Consumption

2.25W

Output

Type

Electromechanical relay

Form

Isolated, SPDT or DPDT

Rating

10A resistive @ 120/240VAC & 28VDC;

1/3 hp @ 120/240VAC

Mechanical - 1x10⁷; Electrical - 1x10⁶

Life

Protection

≥1500V RMS input to output

Isolation Voltage

Mechanical

Mounting

Surface mount with four #6 (M3.5 x 0.6) screws

Dimensions

H 53.8 mm (2.12"); **W** 93.7 mm (3.69");

D 47.8 mm (1.88")

Termination

0.25 in. (6.35 mm) male quick connect terminals

Environmental

Operating/Storage

Temperature

-20° to 65°C / -30° to 85°C

Weight

≈ 2.7 oz (77 g)