

REVISION		
REV	DATE	DESCRIPTION
A	9/19/18	519868GCP - RELEASE PER EM3052 MRY
B	10/26/20	522955ECP/D - ADD MOUNTING HOLE DIMENSIONS MRY

**SPECIFICATIONS:**

**VOLTAGE RATING:** 600V

**AMPERE RATING:** 115 AMP CU; 90 AMP AL

**SUGGESTED TORQUE (LINE):** 5.6 N-m (50 IN-LBS) 2-6 AWG  
4.5 N-m (40 IN-LBS) 8-14 AWG

**SUGGESTED TORQUE (LOAD):** 5.6 N-m (50 IN-LBS) 2-6 AWG  
4.5 N-m (40 IN-LBS) 8-14 AWG

**WIRE RANGE (LINE):** 2-14 AWG Cu/Al  
SOLID/STRANDED

**WIRE RANGE (LOAD):** 2-14 AWG Cu/Al  
SOLID/STRANDED

**FASTENER:** M4 (#8)

**APPROVALS:** cULus (FILE NO. E502265)

●	DENOTES CRITICAL CHARACTERISTICS.
CPK	DENOTES CPK DIMENSIONS, -MINIMUM CPK VALUE
⬡	DENOTES A CHARACTERISTIC THAT PROVIDES AN INDICATION OF PROCESS PERFORMANCE. PROCEDURE FOR MEASUREMENT AND TRACKING TO BE DEFINED IN LITTELFUSE INSPECTION INSTRUCTIONS.
CP	DENOTES CP DIMENSIONS, -MINIMUM CP VALUE MUST BE WITHIN THE DIMENSIONAL LIMITATIONS SHOWN ON DRAWING AND INITIALLY LOCATED TO ALLOW FOR MAXIMUM TOOL LIFE.

**B**

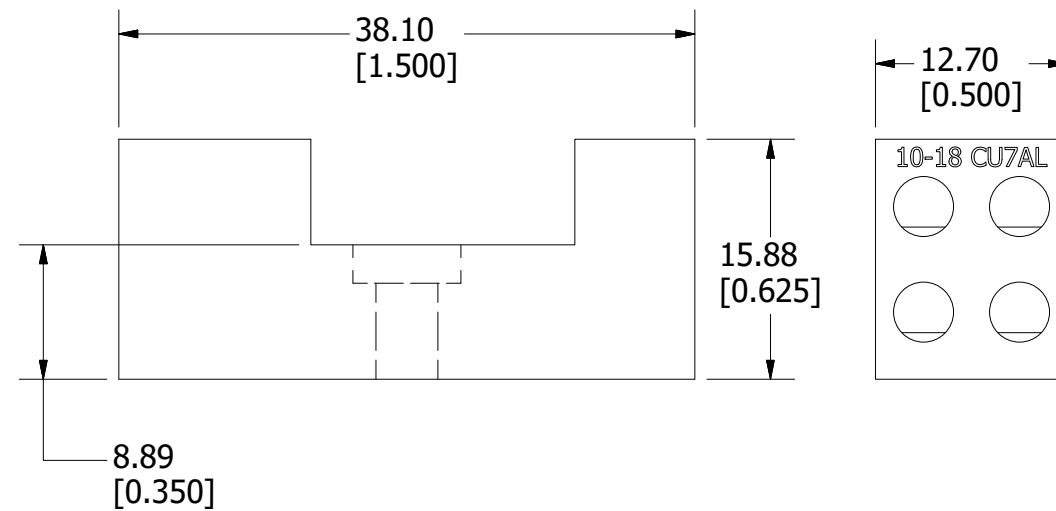
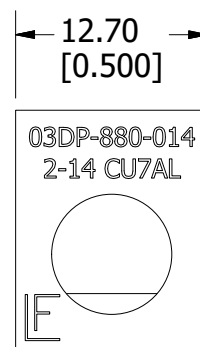
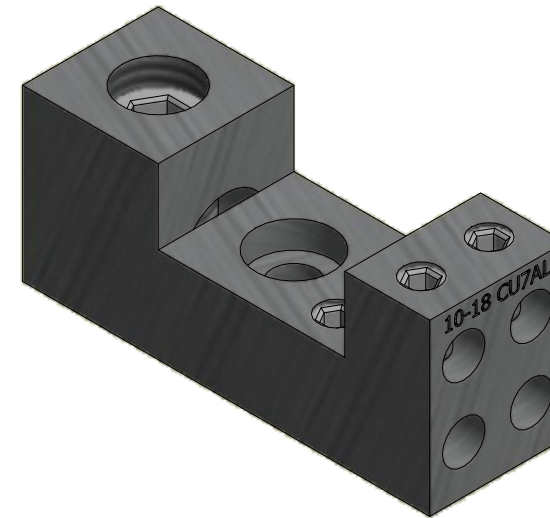
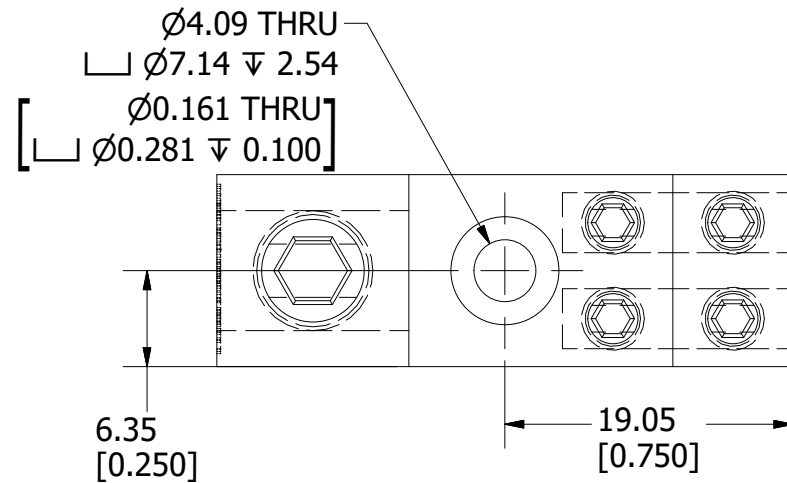
MATL SPEC		FINISH	
DRW myork	DATE 8/17/2018	SCALE NTS	FINISH GOOD WT GRAMS/PIECE

UNLESS OTHERWISE SPECIFIED, DIMENSIONS ARE IN MILLIMETERS, DIMENSIONS IN BRACKETS [ ] ARE INCHES DIMENSIONING AND DO NOT INCLUDE PLATING. TOLERANCING TO BE INTERPRETED IN ACCORDANCE WITH ANSI Y14.5M-1994



<b>TITLE</b>	WCL001 OUTLINE
--------------	----------------

 CHICAGO, ILLINOIS 60631	REVISION	DRWG NO.	SHEET 1 OF 1
	B	OL-WCL001	



REVISION		
REV	DATE	DESCRIPTION
A	9/19/18	519868GCP - RELEASE PER EM3052 MRY
B	10/26/20	522955ECP/D - ADD MOUNTING HOLE DIMENSIONS MRY

**SPECIFICATIONS:**

**VOLTAGE RATING:** 600V

**AMPERE RATING:** 115 AMP CU; 90 AMP AL

**SUGGESTED TORQUE (LINE):** 5.6 N-m (50 IN-LBS) 2-6 AWG  
4.5 N-m (40 IN-LBS) 8-14 AWG

**SUGGESTED TORQUE (LOAD):** 0.8 N-m (7 IN-LBS) 10-16 AWG  
0.6 N-m (5 IN-LBS) 18 AWG

**WIRE RANGE (LINE):** 2-14 AWG Cu/Al  
SOLID/STRANDED

**WIRE RANGE (LOAD):** 10-18 AWG Cu/Al  
SOLID/STRANDED

**FASTENER:** M4 (#8)

**APPROVALS:** cULus (FILE NO. E502265)

●	DENOTES CRITICAL CHARACTERISTICS.
CPK	DENOTES CPK DIMENSIONS, -MINIMUM CPK VALUE
⬡	DENOTES A CHARACTERISTIC THAT PROVIDES AN INDICATION OF PROCESS PERFORMANCE. PROCEDURE FOR MEASUREMENT AND TRACKING TO BE DEFINED IN LITTELFUSE INSPECTION INSTRUCTIONS.
CP	DENOTES CP DIMENSIONS, -MINIMUM CP VALUE MUST BE WITHIN THE DIMENSIONAL LIMITATIONS SHOWN ON DRAWING AND INITIALLY LOCATED TO ALLOW FOR MAXIMUM TOOL LIFE.

**B**

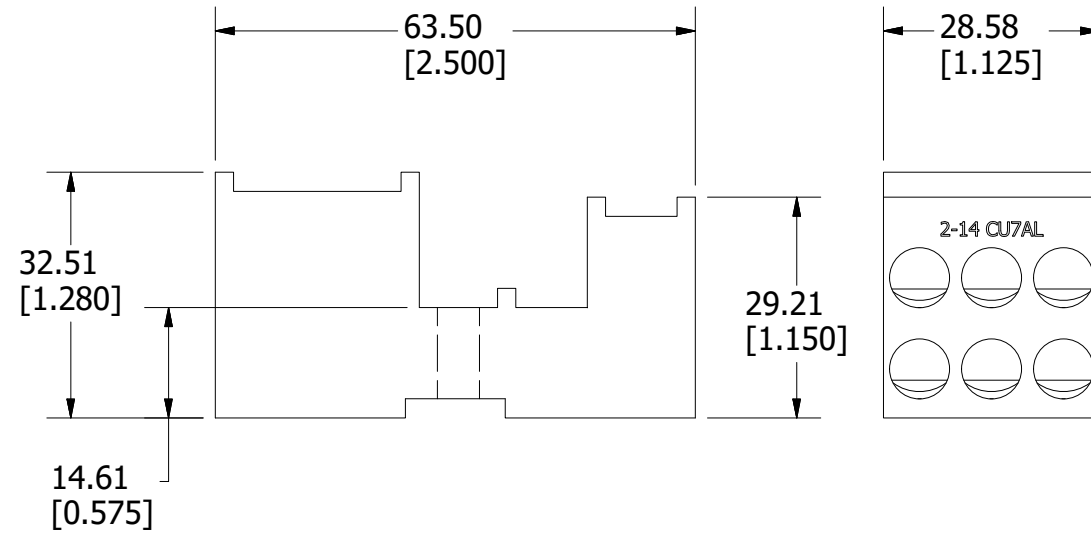
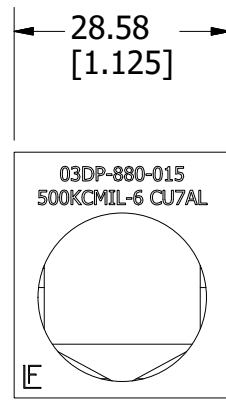
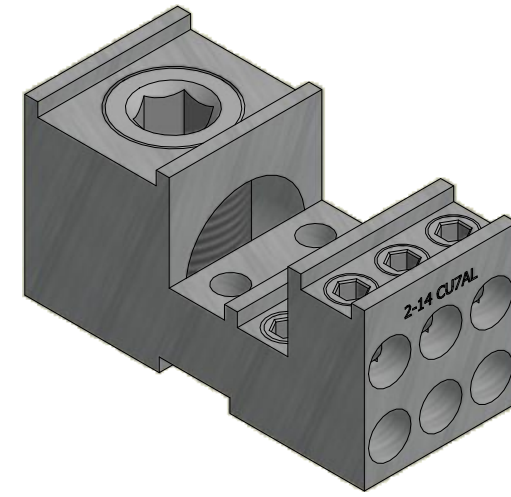
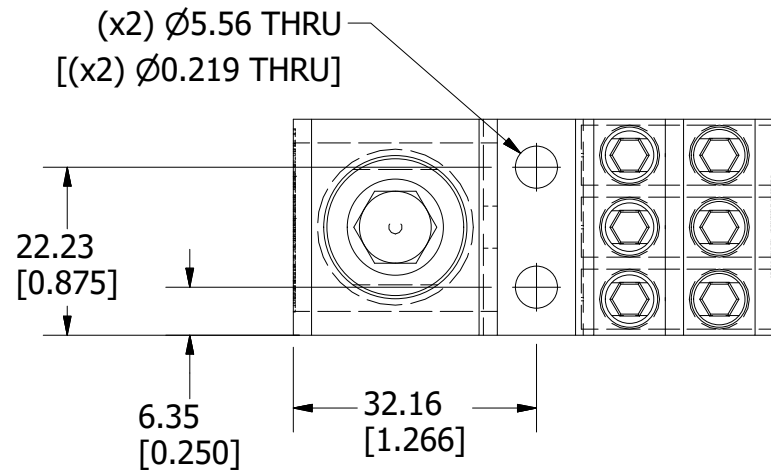
MATL SPEC		FINISH	
DRW myork	DATE 8/17/2018	SCALE NTS	FINISH GOOD WT GRAMS/PIECE

UNLESS OTHERWISE SPECIFIED, DIMENSIONS ARE IN MILLIMETERS, DIMENSIONS IN BRACKETS [ ] ARE INCHES DIMENSIONING AND DO NOT INCLUDE PLATING. TOLERANCING TO BE INTERPRETED IN ACCORDANCE WITH ANSI Y14.5M-1994



<b>TITLE</b>	WCL002 OUTLINE		
--------------	----------------	--	--

 CHICAGO, ILLINOIS 60631	REVISION	DRWG NO.	SHEET 1 OF 1
	B	OL-WCL002	



REVISION		
REV	DATE	DESCRIPTION
A	9/19/18	519868GCP - RELEASE PER EM3052 MRY
B	10/26/20	522955ECP/D - ADD MOUNTING HOLE DIMENSIONS MRY

**SPECIFICATIONS:**

**VOLTAGE RATING:** 600V

**AMPERE RATING:** 380 AMP CU; 310 AMP AL

**SUGGESTED TORQUE (LINE):** 42.4 N-m (375 IN-LBS)

**SUGGESTED TORQUE (LOAD):** 5.6 N-m (50 IN-LBS) 2-16 AWG  
4.5 N-m (40 IN-LBS) 8-14 AWG

**WIRE RANGE (LINE):** 500MCM - 6 AWG Cu/Al  
SOLID/STRANDED

**WIRE RANGE (LOAD):** 2-14 AWG Cu/Al  
SOLID/STRANDED

**FASTENER:** M5 (#10)

**APPROVALS:** cULus (FILE NO. E502265)

●	DENOTES CRITICAL CHARACTERISTICS.
CPK	DENOTES CPK DIMENSIONS, -MINIMUM CPK VALUE
⬡	DENOTES A CHARACTERISTIC THAT PROVIDES AN INDICATION OF PROCESS PERFORMANCE. PROCEDURE FOR MEASUREMENT AND TRACKING TO BE DEFINED IN LITTELFUSE INSPECTION INSTRUCTIONS.
CP	DENOTES CP DIMENSIONS, -MINIMUM CP VALUE MUST BE WITHIN THE DIMENSIONAL LIMITATIONS SHOWN ON DRAWING AND INITIALLY LOCATED TO ALLOW FOR MAXIMUM TOOL LIFE.

**B**

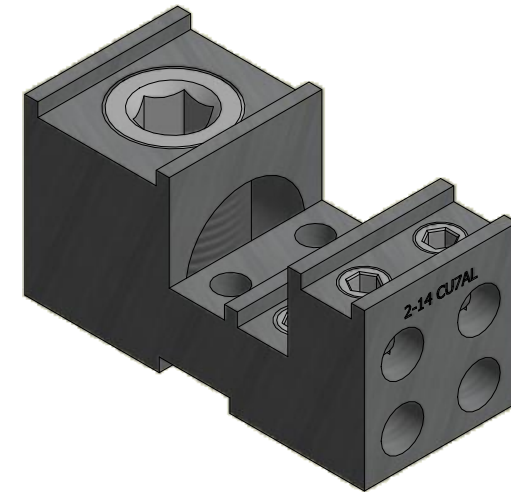
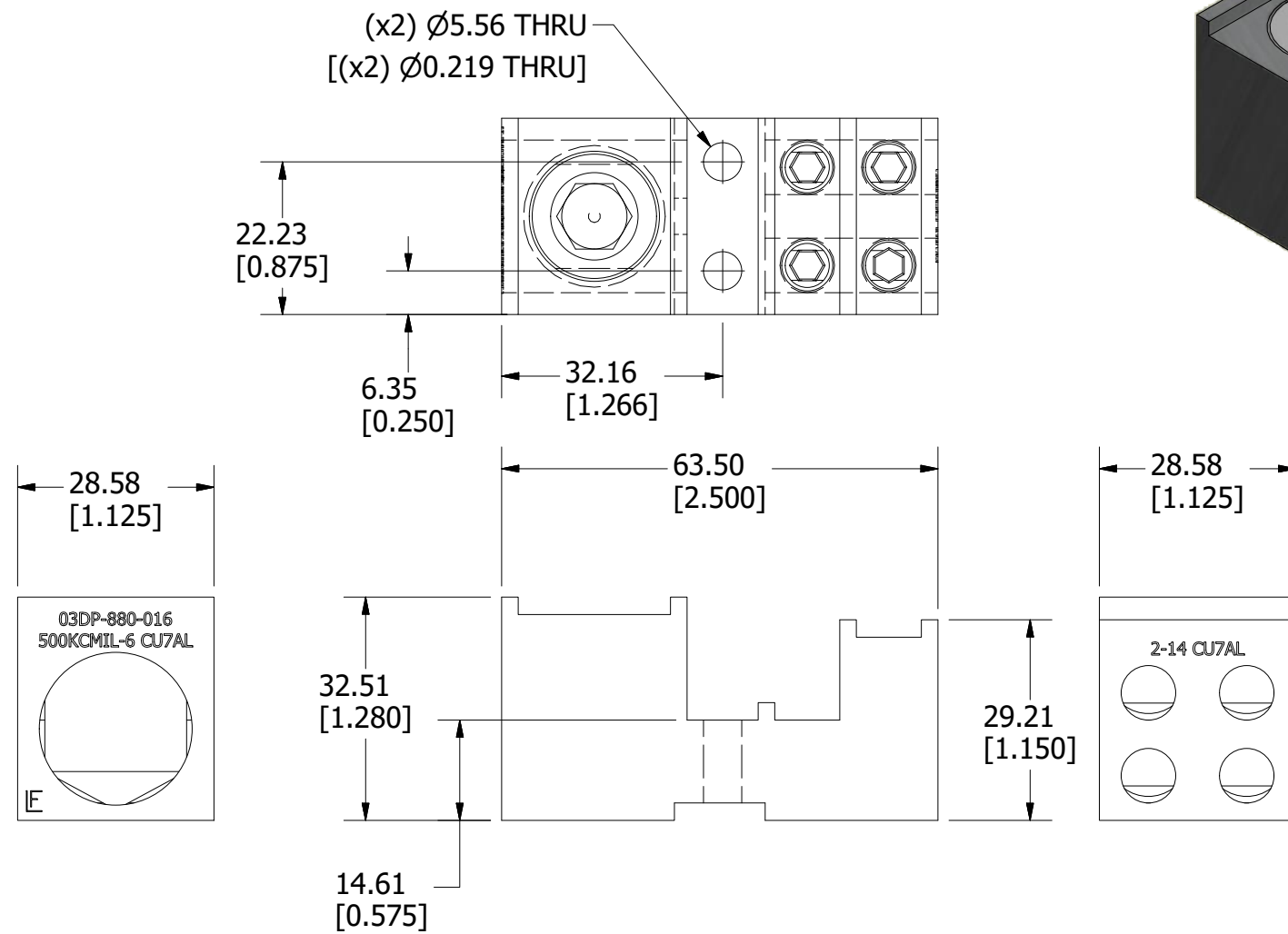
MATL SPEC		FINISH	
DRW myork	DATE 8/17/2018	SCALE NTS	FINISH GOOD WT GRAMS/PIECE

UNLESS OTHERWISE SPECIFIED, DIMENSIONS ARE IN MILLIMETERS, DIMENSIONS IN BRACKETS [ ] ARE INCHES DIMENSIONING AND DO NOT INCLUDE PLATING. TOLERANCING TO BE INTERPRETED IN ACCORDANCE WITH ANSI Y14.5M-1994

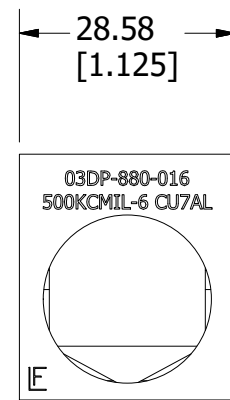


<b>TITLE</b>	WCL003 OUTLINE		
--------------	----------------	--	--

 CHICAGO, ILLINOIS 60631	REVISION	DRWG NO.	SHEET 1 OF 1
	B	OL-WCL003	



REVISION		
REV	DATE	DESCRIPTION
A	9/19/18	519868GCP - RELEASE PER EM3052 MRY
B	10/26/20	522955ECP/D - ADD MOUNTING HOLE DIMENSIONS MRY



**SPECIFICATIONS:**

**VOLTAGE RATING:** 600V

**AMPERE RATING:** 380 AMP CU; 310 AMP AL

**SUGGESTED TORQUE (LINE):** 42.4 N-m (375 IN-LBS)

**SUGGESTED TORQUE (LOAD):** 5.6 N-m (50 IN-LBS) 2-16 AWG  
4.5 N-m (40 IN-LBS) 8-14 AWG

**WIRE RANGE (LINE):** 500MCM - 6 AWG Cu/Al  
SOLID/STRANDED

**WIRE RANGE (LOAD):** 2-14 AWG Cu/Al  
SOLID/STRANDED

**FASTENER:** M5 (#10)

**APPROVALS:** cULus (FILE NO. E502265)

●	DENOTES CRITICAL CHARACTERISTICS.
CPK	DENOTES CPK DIMENSIONS, -MINIMUM CPK VALUE
⬡	DENOTES A CHARACTERISTIC THAT PROVIDES AN INDICATION OF PROCESS PERFORMANCE. PROCEDURE FOR MEASUREMENT AND TRACKING TO BE DEFINED IN LITTELFUSE INSPECTION INSTRUCTIONS.
CP	DENOTES CP DIMENSIONS, -MINIMUM CP VALUE MUST BE WITHIN THE DIMENSIONAL LIMITATIONS SHOWN ON DRAWING AND INITIALLY LOCATED TO ALLOW FOR MAXIMUM TOOL LIFE.

**B**

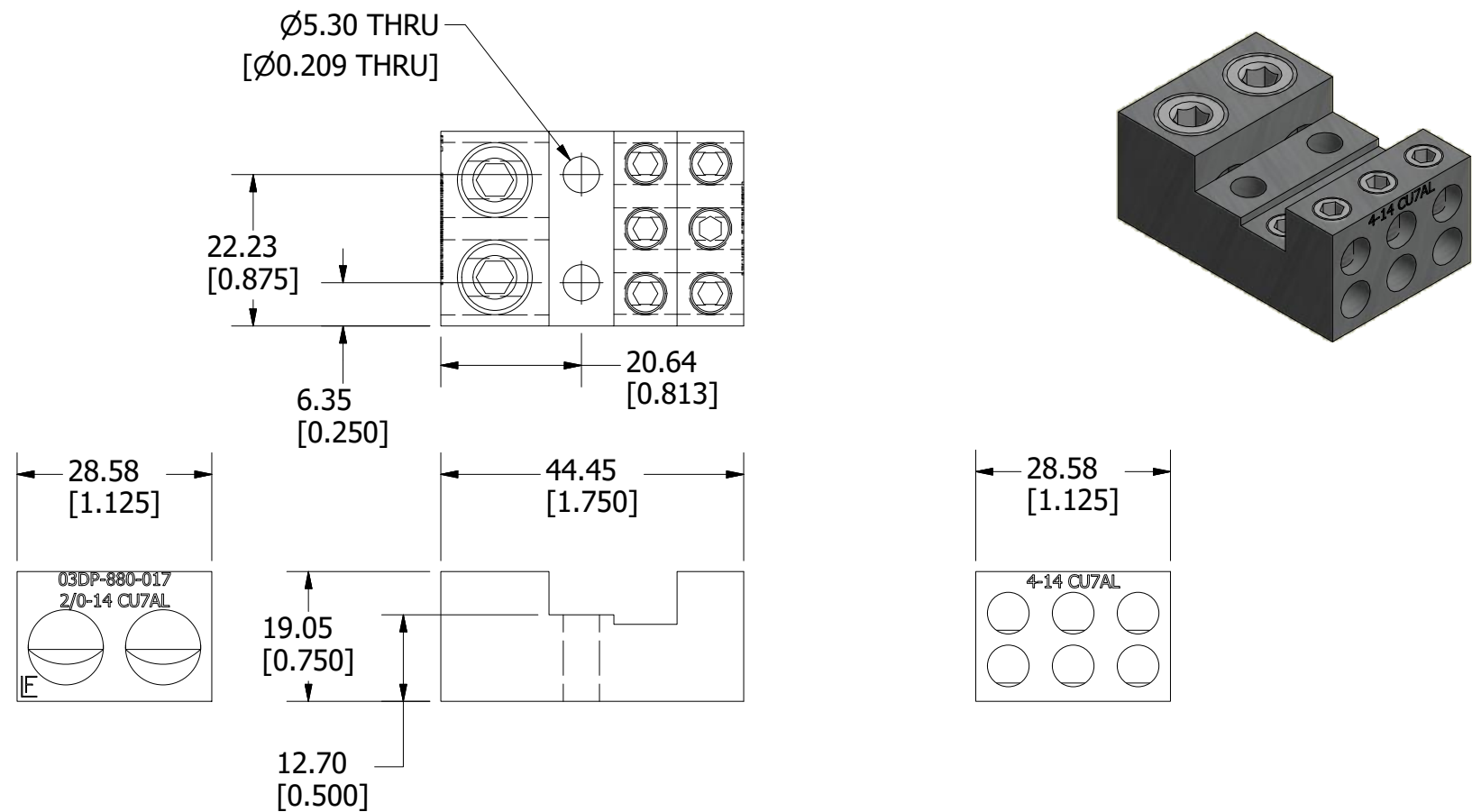
MATL SPEC		FINISH	
DRW myork	DATE 8/17/2018	SCALE NTS	FINISH GOOD WT GRAMS/PIECE

UNLESS OTHERWISE SPECIFIED, DIMENSIONS ARE IN MILLIMETERS, DIMENSIONS IN BRACKETS [ ] ARE INCHES DIMENSIONING AND DO NOT INCLUDE PLATING. TOLERANCING TO BE INTERPRETED IN ACCORDANCE WITH ANSI Y14.5M-1994



<b>TITLE</b>		WCL004 OUTLINE	
		REVISION	DRWG NO.
CHICAGO, ILLINOIS 60631		B	OL-WCL004

SHEET 1 OF 1



REVISION		
REV	DATE	DESCRIPTION
A	9/19/18	519868GCP - RELEASE PER EM3052 MRY
B	10/26/20	522955ECP/D - ADD MOUNTING HOLE DIMENSIONS MRY

**SPECIFICATIONS:**

**VOLTAGE RATING:** 600V

**AMPERE RATING:** 350 AMP CU; 270 AMP AL

**SUGGESTED TORQUE (LINE):** 13.6 N-m (120 IN-LBS) 2/0-6 AWG  
4.5 N-m (40 IN-LBS) 8-14 AWG

**SUGGESTED TORQUE (LOAD):** 4.0 N-m (35 IN-LBS)

**WIRE RANGE (LINE):** 2/0-14 AWG Cu/Al  
SOLID/STRANDED

**WIRE RANGE (LOAD):** 4-14 AWG Cu/Al  
SOLID/STRANDED

**FASTENER:** M5 (#10)

**APPROVALS:** cULus (FILE NO. E502265)

●	DENOTES CRITICAL CHARACTERISTICS.
CPK	DENOTES CPK DIMENSIONS, -MINIMUM CPK VALUE
⬡	DENOTES A CHARACTERISTIC THAT PROVIDES AN INDICATION OF PROCESS PERFORMANCE. PROCEDURE FOR MEASUREMENT AND TRACKING TO BE DEFINED IN LITTELFUSE INSPECTION INSTRUCTIONS.
CP	DENOTES CP DIMENSIONS, -MINIMUM CP VALUE MUST BE WITHIN THE DIMENSIONAL LIMITATIONS SHOWN ON DRAWING AND INITIALLY LOCATED TO ALLOW FOR MAXIMUM TOOL LIFE.

**B**

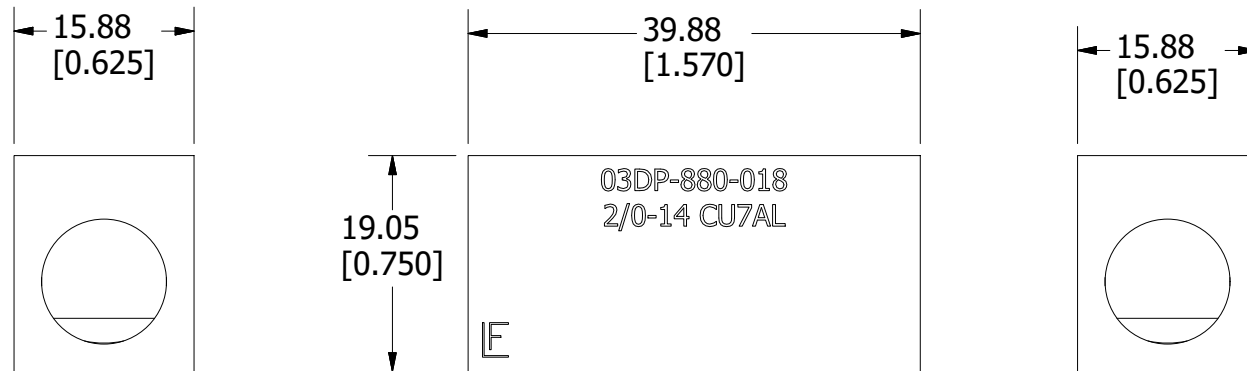
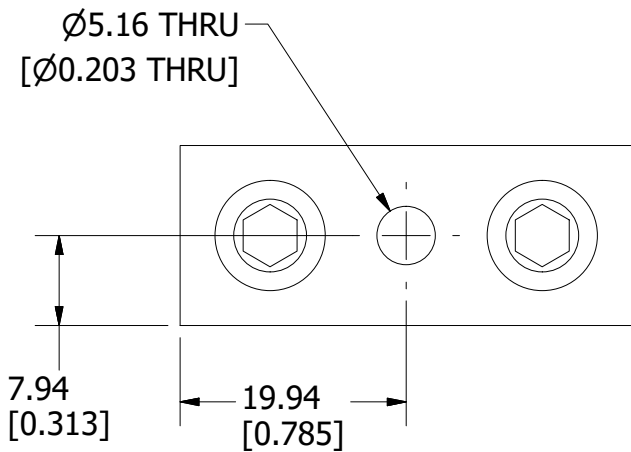
MATL SPEC		FINISH	
DRW myork	DATE 8/17/2018	SCALE NTS	FINISH GOOD WT GRAMS/PIECE

UNLESS OTHERWISE SPECIFIED, DIMENSIONS ARE IN MILLIMETERS, DIMENSIONS IN BRACKETS [ ] ARE INCHES DIMENSIONING AND DO NOT INCLUDE PLATING. TOLERANCING TO BE INTERPRETED IN ACCORDANCE WITH ANSI Y14.5M-1994



<b>TITLE</b>	WCL005 OUTLINE		
--------------	----------------	--	--

 CHICAGO, ILLINOIS 60631	REVISION	DRWG NO.	SHEET 1 OF 1
	B	OL-WCL005	



REVISION		
REV	DATE	DESCRIPTION
A	9/19/18	519868GCP - RELEASE PER EM3052 MRY
B	10/26/20	522955ECP/D - ADD MOUNTING HOLE DIMENSIONS MRY

**SPECIFICATIONS:**

**VOLTAGE RATING:** 600V

**AMPERE RATING:** 175 AMP CU; 135 AMP AL

**SUGGESTED TORQUE (LINE):** 13.6 N-m (120 IN-LBS) 2/0-6 AWG  
4.5 N-m (40 IN-LBS) 8-14 AWG

**SUGGESTED TORQUE (LOAD):** 13.6 N-m (120 IN-LBS) 2/0-6 AWG  
4.5 N-m (40 IN-LBS) 8-14 AWG

**WIRE RANGE (LINE):** 2/0-14 AWG Cu/Al  
SOLID/STRANDED

**WIRE RANGE (LOAD):** 2/0-14 AWG Cu/Al  
SOLID/STRANDED

**FASTENER:** M5 (#10)

**APPROVALS:** cULus (FILE NO. E502265)

●	DENOTES CRITICAL CHARACTERISTICS.
CPK	DENOTES CPK DIMENSIONS, -MINIMUM CPK VALUE
⬡	DENOTES A CHARACTERISTIC THAT PROVIDES AN INDICATION OF PROCESS PERFORMANCE. PROCEDURE FOR MEASUREMENT AND TRACKING TO BE DEFINED IN LITTELFUSE INSPECTION INSTRUCTIONS.
CP	DENOTES CP DIMENSIONS, -MINIMUM CP VALUE MUST BE WITHIN THE DIMENSIONAL LIMITATIONS SHOWN ON DRAWING AND INITIALLY LOCATED TO ALLOW FOR MAXIMUM TOOL LIFE.

**B**

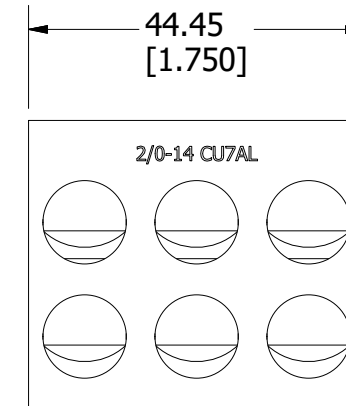
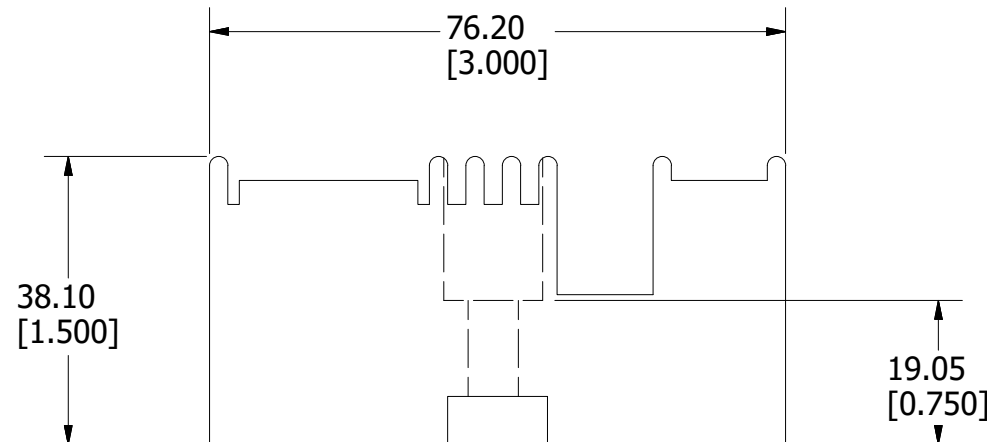
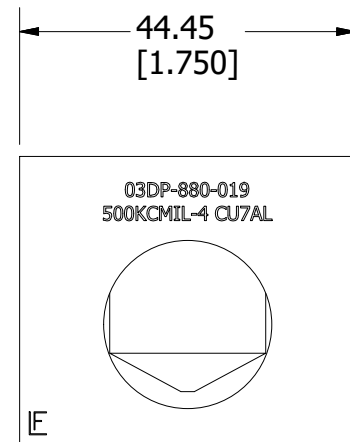
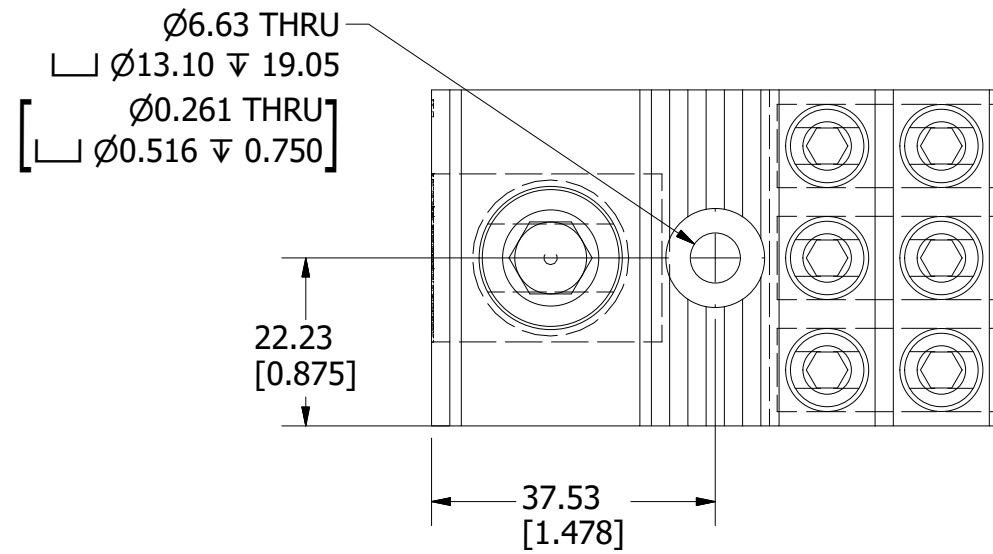
MATL SPEC		FINISH	
DRW myork	DATE 8/17/2018	SCALE NTS	FINISH GOOD WT GRAMS/PIECE

UNLESS OTHERWISE SPECIFIED, DIMENSIONS ARE IN MILLIMETERS, DIMENSIONS IN BRACKETS [ ] ARE INCHES DIMENSIONING AND DO NOT INCLUDE PLATING. TOLERANCING TO BE INTERPRETED IN ACCORDANCE WITH ANSI Y14.5M-1994

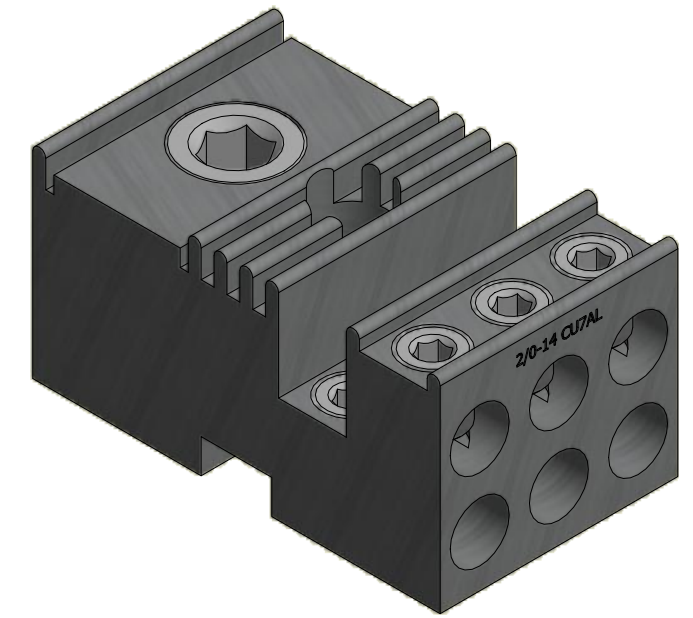


<b>TITLE</b>	WCL006 OUTLINE
--------------	----------------

<b>Littelfuse</b> CHICAGO, ILLINOIS 60631	<b>REVISION</b> B	<b>DRWG NO.</b> OL-WCL006	SHEET 1 OF 1
--	----------------------	------------------------------	--------------



REVISION		
REV	DATE	DESCRIPTION
A	9/19/18	519868GCP - RELEASE PER EM3052 MRY
B	10/26/20	522955ECP/D - ADD MOUNTING HOLE DIMENSIONS MRY



**SPECIFICATIONS:**

**VOLTAGE RATING:** 600V

**AMPERE RATING:** 380 AMP CU; 310 AMP AL

**SUGGESTED TORQUE (LINE):** 42.4 N-m (375 IN-LBS)

**SUGGESTED TORQUE (LOAD):** 13.6 N-m (120 IN-LBS) 2/0-6 AWG  
4.5 N-m (40 IN-LBS) 8-14 AWG

**WIRE RANGE (LINE):** 500MCM-4 AWG Cu/Al  
SOLID/STRANDED

**WIRE RANGE (LOAD):** 2/0-14 AWG Cu/Al  
SOLID/STRANDED

**FASTENER:** M6 (1/4)

**APPROVALS:** cULus (FILE NO. E502265)


●	DENOTES CRITICAL CHARACTERISTICS.
CPK	DENOTES CPK DIMENSIONS, -MINIMUM CPK VALUE
⊕	DENOTES A CHARACTERISTIC THAT PROVIDES AN INDICATION OF PROCESS PERFORMANCE. PROCEDURE FOR MEASUREMENT AND TRACKING TO BE DEFINED IN LITTELFUSE INSPECTION INSTRUCTIONS.
CP	DENOTES CP DIMENSIONS, -MINIMUM CP VALUE MUST BE WITHIN THE DIMENSIONAL LIMITATIONS SHOWN ON DRAWING AND INITIALLY LOCATED TO ALLOW FOR MAXIMUM TOOL LIFE.

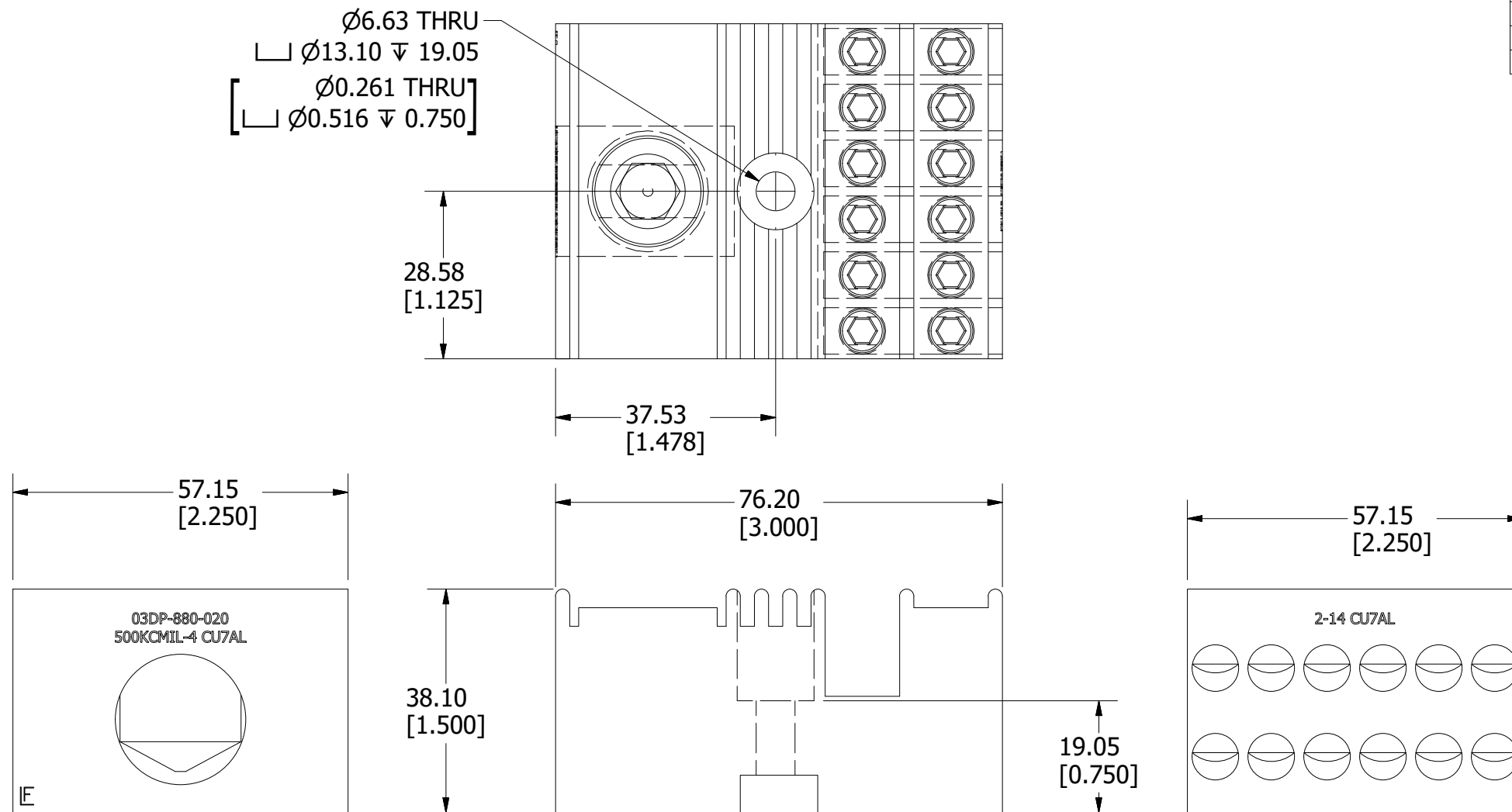
**B**

MATL SPEC		FINISH	
DRW myork	DATE 8/17/2018	SCALE NTS	FINISH GOOD WT GRAMS/PIECE

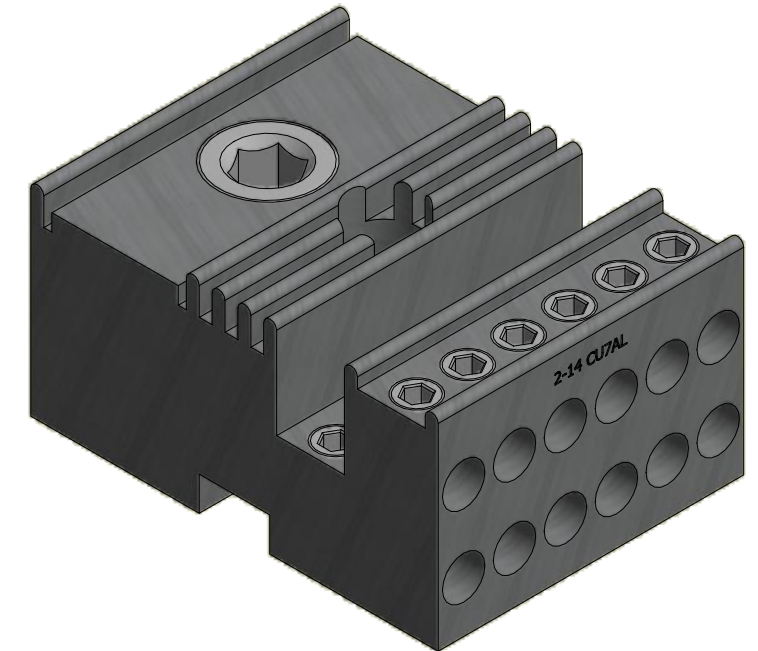
UNLESS OTHERWISE SPECIFIED, DIMENSIONS ARE IN MILLIMETERS, DIMENSIONS IN BRACKETS [ ] ARE INCHES DIMENSIONING AND DO NOT INCLUDE PLATING. TOLERANCING TO BE INTERPRETED IN ACCORDANCE WITH ANSI Y14.5M-1994

3RD ANGLE PROJECTION	
----------------------	--

<b>TITLE</b>	WCL007 OUTLINE		
	<b>REVISION</b>	<b>DRWG NO.</b>	SHEET 1 OF 1
	B	OL-WCL007	



REVISION		
REV	DATE	DESCRIPTION
A	9/19/18	519868GCP - RELEASE PER EM3052 MRY
B	10/26/20	522955ECP/D - ADD MOUNTING HOLE DIMENSIONS MRY



**SPECIFICATIONS:**

**VOLTAGE RATING:** 600V

**AMPERE RATING:** 380 AMP CU; 310 AMP AL

**SUGGESTED TORQUE (LINE):** 42.4 N-m (375 IN-LBS)

**SUGGESTED TORQUE (LOAD):** 5.6 N-m (50 IN-LBS) 2-6 AWG  
4.5 N-m (40 IN-LBS) 8-14 AWG

**WIRE RANGE (LINE):** 500MCM-4 AWG Cu/Al  
SOLID/STRANDED

**WIRE RANGE (LOAD):** 2-14 AWG Cu/Al  
SOLID/STRANDED

**FASTENER:** M6 (1/4)

**APPROVALS:** cULus (FILE NO. E502265)

●	DENOTES CRITICAL CHARACTERISTICS.
CPK	DENOTES CPK DIMENSIONS, -MINIMUM CPK VALUE
⊠	DENOTES A CHARACTERISTIC THAT PROVIDES AN INDICATION OF PROCESS PERFORMANCE. PROCEDURE FOR MEASUREMENT AND TRACKING TO BE DEFINED IN LITTELFUSE INSPECTION INSTRUCTIONS.
CP	DENOTES CP DIMENSIONS, -MINIMUM CP VALUE MUST BE WITHIN THE DIMENSIONAL LIMITATIONS SHOWN ON DRAWING AND INITIALLY LOCATED TO ALLOW FOR MAXIMUM TOOL LIFE.

**B**

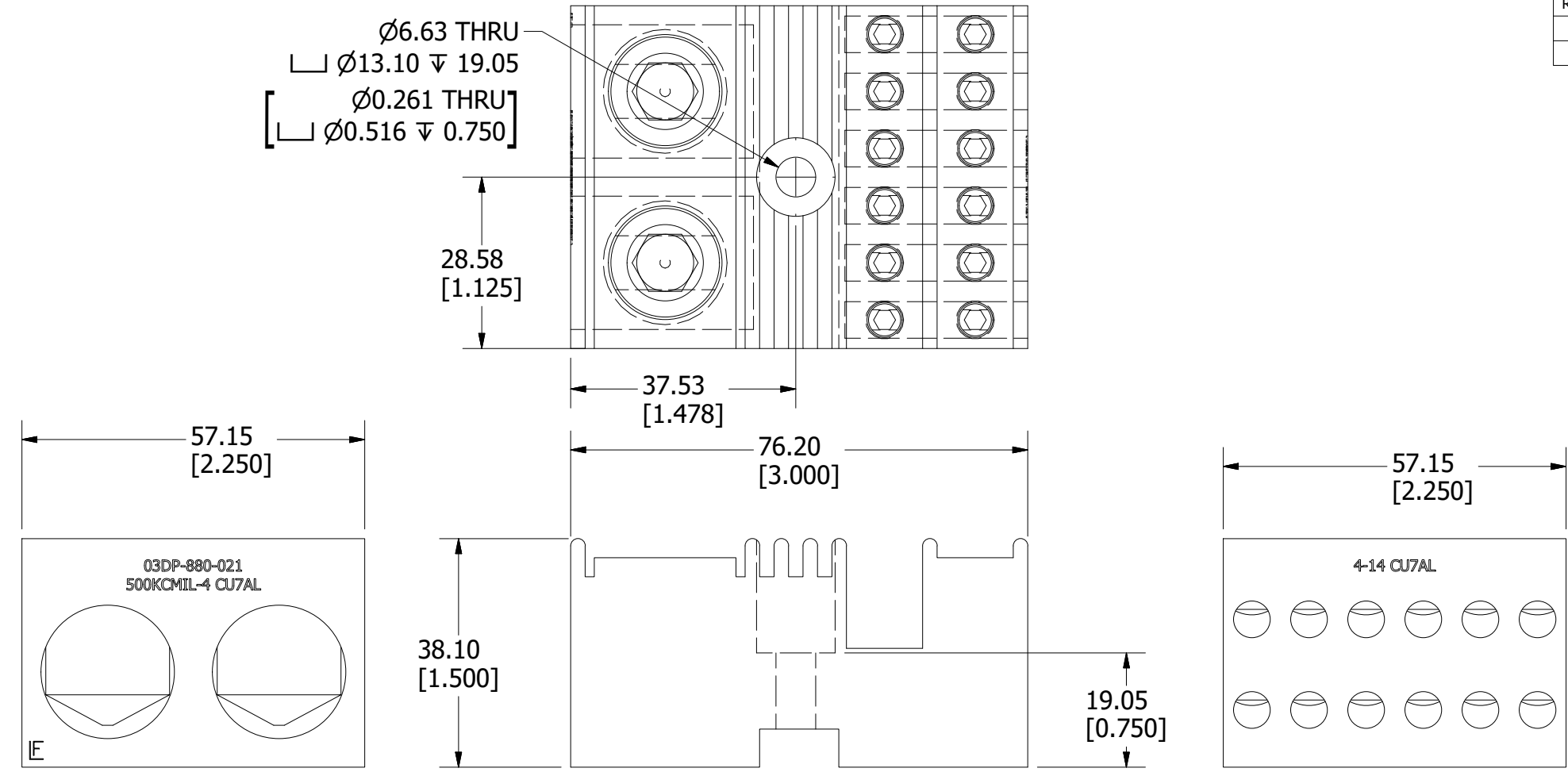
MATL SPEC		FINISH	
DRW myork	DATE 8/17/2018	SCALE NTS	FINISH GOOD WT GRAMS/PIECE

UNLESS OTHERWISE SPECIFIED, DIMENSIONS ARE IN MILLIMETERS, DIMENSIONS IN BRACKETS [ ] ARE INCHES DIMENSIONING AND DO NOT INCLUDE PLATING. TOLERANCING TO BE INTERPRETED IN ACCORDANCE WITH ANSI Y14.5M-1994

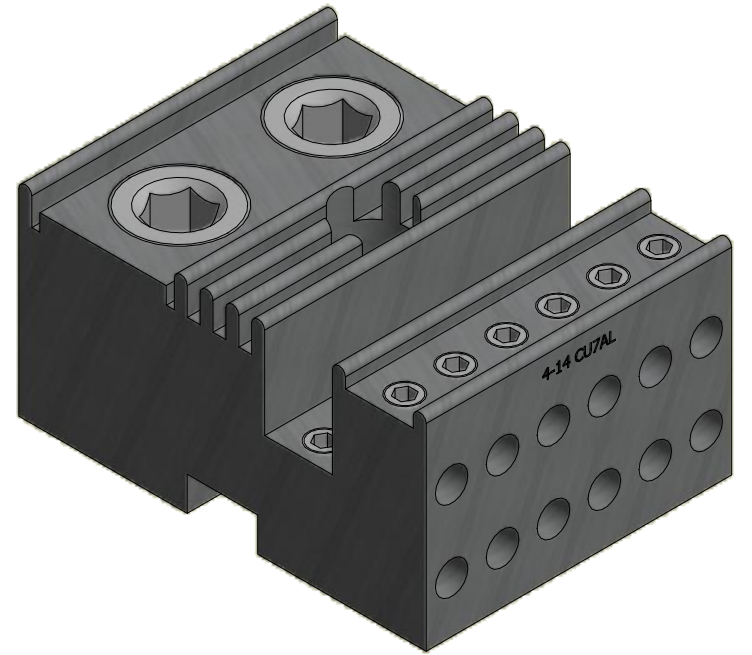


<b>TITLE</b>		WCL008 OUTLINE	
	<b>REVISION</b>	<b>DRWG NO.</b>	SHEET 1 OF 1
	B	OL-WCL008	





REVISION		
REV	DATE	DESCRIPTION
A	9/19/18	519868GCP - RELEASE PER EM3052 MRY
B	10/26/20	522955ECP/D - ADD MOUNTING HOLE DIMENSIONS MRY



**SPECIFICATIONS:**

- VOLTAGE RATING:** 600V
- AMPERE RATING:** 760 AMP CU; 620 AMP AL
- SUGGESTED TORQUE (LINE):** 42.4 N-m (375 IN-LBS)
- SUGGESTED TORQUE (LOAD):** 4 N-m (35 IN-LBS) 4-14 AWG
- WIRE RANGE (LINE):** 500MCM-4 AWG Cu/Al SOLID/STRANDED
- WIRE RANGE (LOAD):** 4-14 AWG Cu/Al SOLID/STRANDED
- FASTENER:** M6 (1/4)
- APPROVALS:** cULus (FILE NO. E502265)

●	DENOTES CRITICAL CHARACTERISTICS.
CPK	DENOTES CPK DIMENSIONS, -MINIMUM CPK VALUE
⬡	DENOTES A CHARACTERISTIC THAT PROVIDES AN INDICATION OF PROCESS PERFORMANCE. PROCEDURE FOR MEASUREMENT AND TRACKING TO BE DEFINED IN LITTELFUSE INSPECTION INSTRUCTIONS.
CP	DENOTES CP DIMENSIONS, -MINIMUM CP VALUE MUST BE WITHIN THE DIMENSIONAL LIMITATIONS SHOWN ON DRAWING AND INITIALLY LOCATED TO ALLOW FOR MAXIMUM TOOL LIFE.

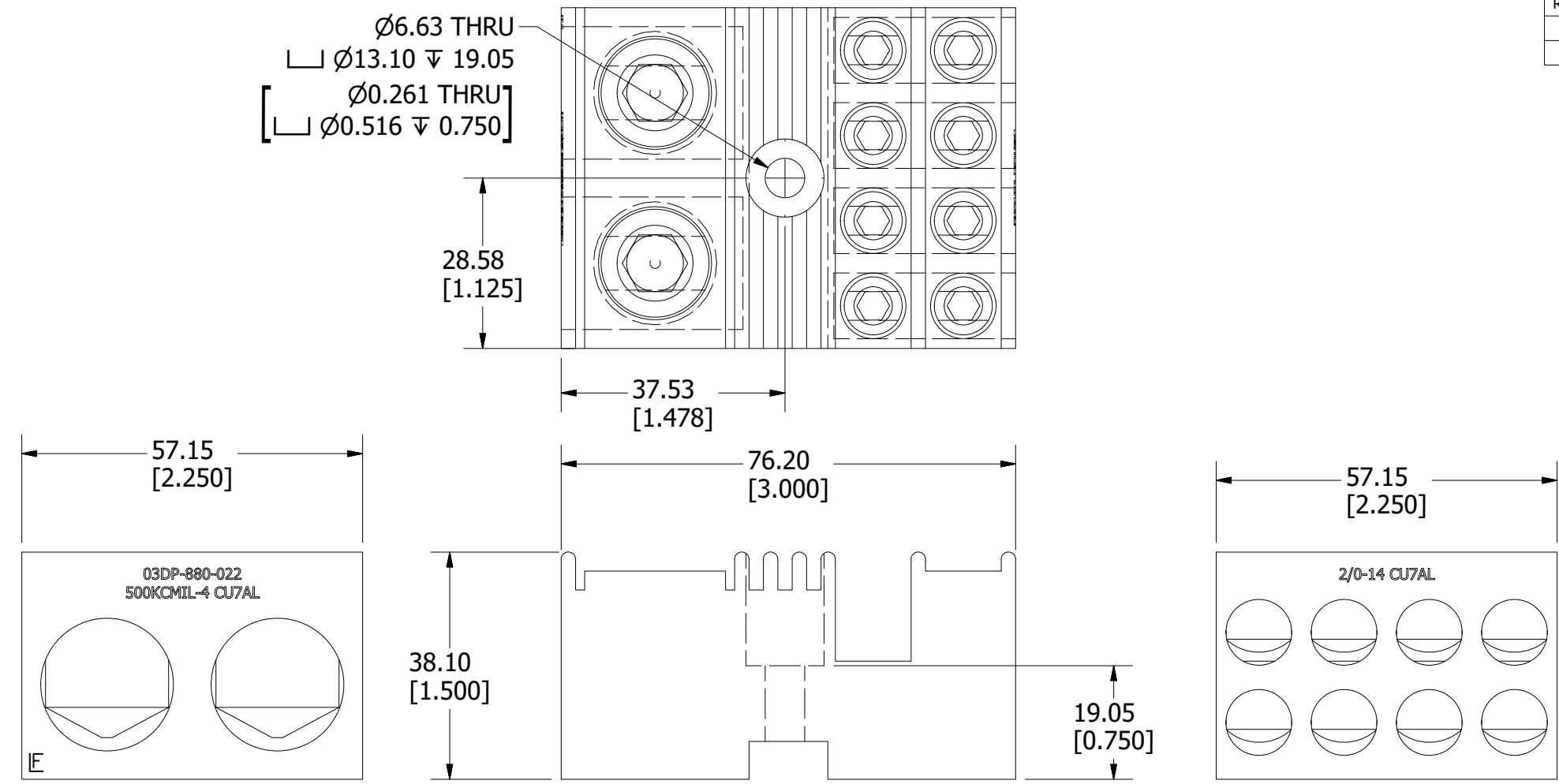
MATL SPEC		FINISH	
DRW myork	DATE 8/17/2018	SCALE NTS	FINISH GOOD WT GRAMS/PIECE

UNLESS OTHERWISE SPECIFIED, DIMENSIONS ARE IN MILLIMETERS, DIMENSIONS IN BRACKETS [ ] ARE INCHES DIMENSIONING AND DO NOT INCLUDE PLATING. TOLERANCING TO BE INTERPRETED IN ACCORDANCE WITH ANSI Y14.5M-1994

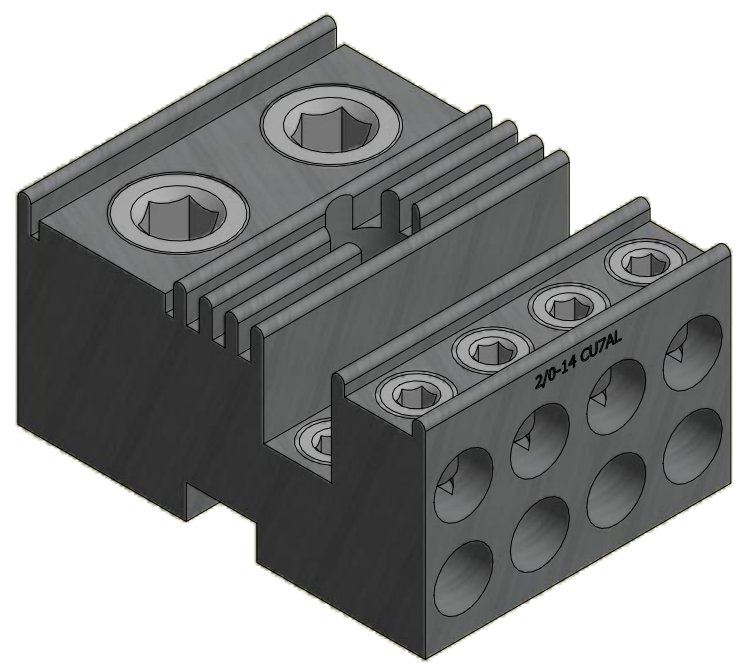


<b>TITLE</b>	WCL009 OUTLINE		
--------------	----------------	--	--

 CHICAGO, ILLINOIS 60631	REVISION	DRWG NO.	SHEET 1 OF 1
	B	OL-WCL009	



REVISION		
REV	DATE	DESCRIPTION
A	9/19/18	519868GCP - RELEASE PER EM3052 MRY
B	10/26/20	522955ECP/D - ADD MOUNTING HOLE DIMENSIONS MRY



**SPECIFICATIONS:**

**VOLTAGE RATING:** 600V

**AMPERE RATING:** 760 AMP CU; 620 AMP AL

**SUGGESTED TORQUE (LINE):** 42.4 N-m (375 IN-LBS)

**SUGGESTED TORQUE (LOAD):** 13.6 N-m (120 IN-LBS) 2/0-6 AWG  
4.5 N-m (40 IN-LBS) 8-14 AWG

**WIRE RANGE (LINE):** 500MCM-4 AWG Cu/Al  
SOLID/STRANDED

**WIRE RANGE (LOAD):** 2/0-14 AWG Cu/Al  
SOLID/STRANDED

**FASTENER:** M6 (1/4)

**APPROVALS:** cULus (FILE NO. E502265)

●	DENOTES CRITICAL CHARACTERISTICS.
CPK	DENOTES CPK DIMENSIONS, -MINIMUM CPK VALUE
⊠	DENOTES A CHARACTERISTIC THAT PROVIDES AN INDICATION OF PROCESS PERFORMANCE. PROCEDURE FOR MEASUREMENT AND TRACKING TO BE DEFINED IN LITTELFUSE INSPECTION INSTRUCTIONS.
CP	DENOTES CP DIMENSIONS, -MINIMUM CP VALUE MUST BE WITHIN THE DIMENSIONAL LIMITATIONS SHOWN ON DRAWING AND INITIALLY LOCATED TO ALLOW FOR MAXIMUM TOOL LIFE.

**B**

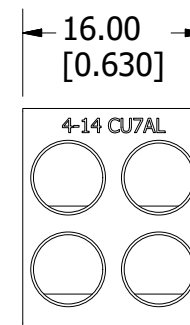
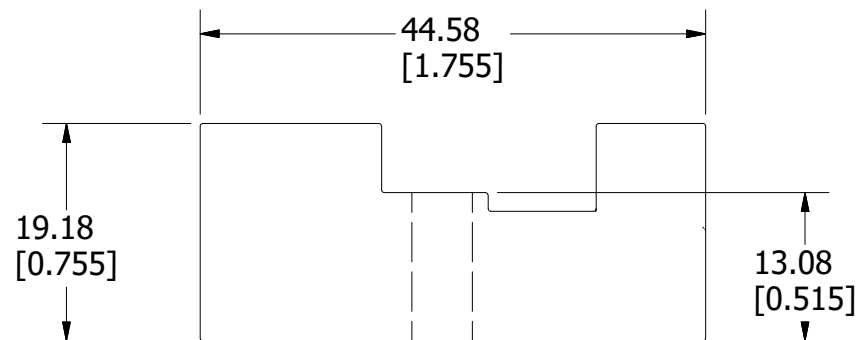
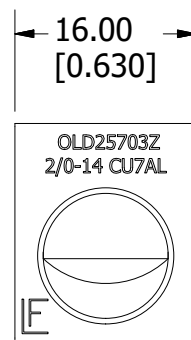
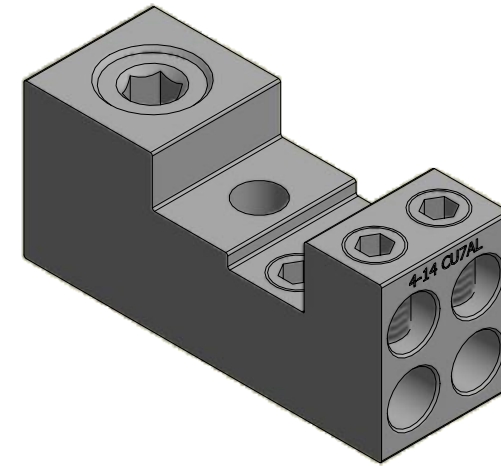
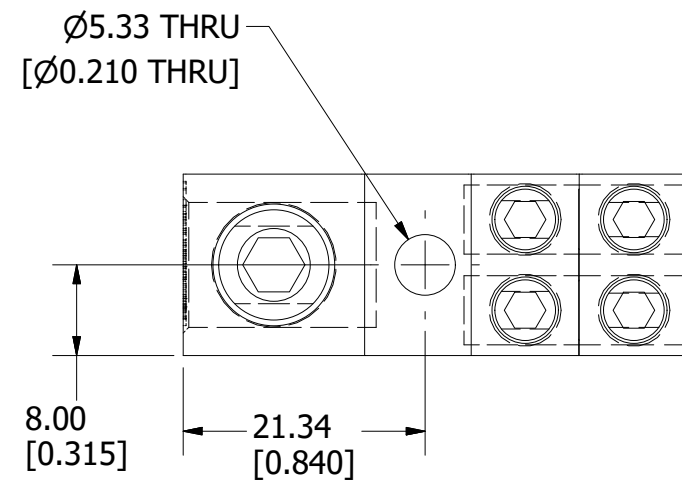
MATL SPEC		FINISH	
DRW myork	DATE 8/17/2018	SCALE NTS	FINISH GOOD WT GRAMS/PIECE

UNLESS OTHERWISE SPECIFIED, DIMENSIONS ARE IN MILLIMETERS, DIMENSIONS IN BRACKETS [ ] ARE INCHES DIMENSIONING AND DO NOT INCLUDE PLATING. TOLERANCING TO BE INTERPRETED IN ACCORDANCE WITH ANSI Y14.5M-1994



<b>TITLE</b>	WCL010 OUTLINE
--------------	----------------

 CHICAGO, ILLINOIS 60631	REVISION	DRWG NO.	SHEET 1 OF 1
	B	OL-WCL010	



REVISION		
REV	DATE	DESCRIPTION
A	9/19/18	519868GCP - RELEASE PER EM3052 MRY
B	10/26/20	522955ECP/D - ADD MOUNTING HOLE DIMENSIONS MRY

**SPECIFICATIONS:**

**VOLTAGE RATING:** 600V

**AMPERE RATING:** 175 AMP CU; 135 AMP AL

**SUGGESTED TORQUE (LINE):** 13.6 N-m (120 IN-LBS) 2/0-6 AWG  
4.5 N-m (40 IN-LBS) 8-14 AWG

**SUGGESTED TORQUE (LOAD):** 4 N-m (35 IN-LBS) 4-14 AWG

**WIRE RANGE (LINE):** 2/0-14 AWG Cu/Al  
SOLID/STRANDED

**WIRE RANGE (LOAD):** 4-14 AWG Cu/Al  
SOLID/STRANDED

**FASTENER:** M5 (#10)

**APPROVALS:** cULus (FILE NO. E502265)

●	DENOTES CRITICAL CHARACTERISTICS.
CPK	DENOTES CPK DIMENSIONS, -MINIMUM CPK VALUE
⊠	DENOTES A CHARACTERISTIC THAT PROVIDES AN INDICATION OF PROCESS PERFORMANCE. PROCEDURE FOR MEASUREMENT AND TRACKING TO BE DEFINED IN LITTELFUSE INSPECTION INSTRUCTIONS.
CP	DENOTES CP DIMENSIONS, -MINIMUM CP VALUE MUST BE WITHIN THE DIMENSIONAL LIMITATIONS SHOWN ON DRAWING AND INITIALLY LOCATED TO ALLOW FOR MAXIMUM TOOL LIFE.

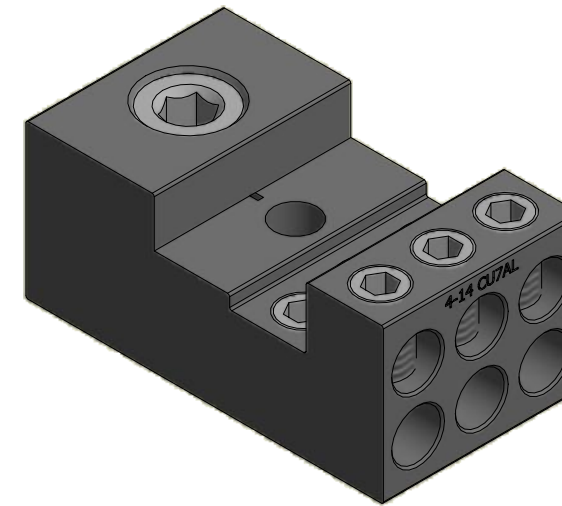
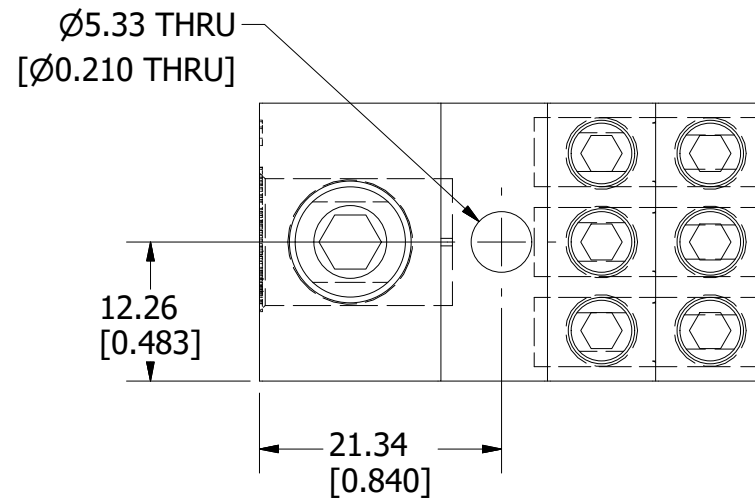
**B**

MATL SPEC		FINISH	
DRW myork	DATE 8/17/2018	SCALE NTS	FINISH GOOD WT GRAMS/PIECE

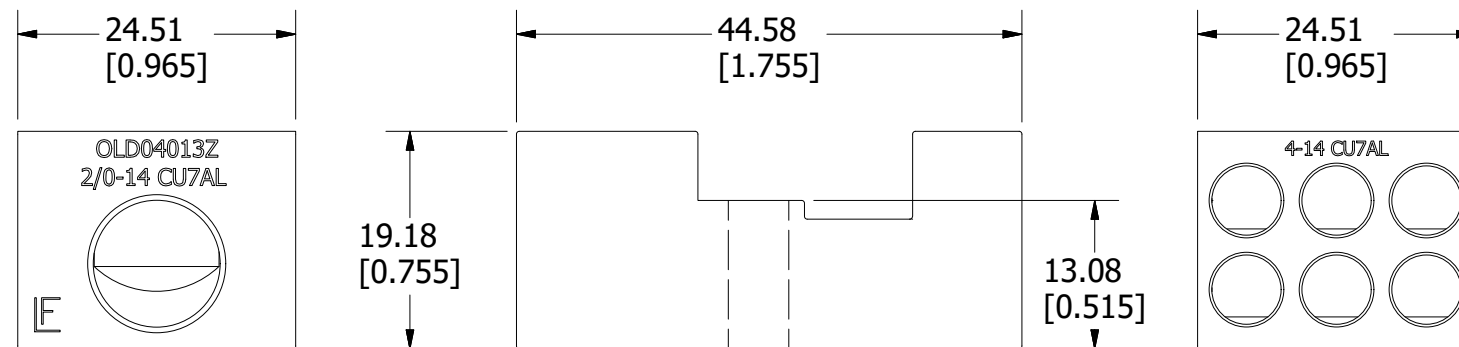
UNLESS OTHERWISE SPECIFIED, DIMENSIONS ARE IN MILLIMETERS, DIMENSIONS IN BRACKETS [ ] ARE INCHES DIMENSIONING AND DO NOT INCLUDE PLATING. TOLERANCING TO BE INTERPRETED IN ACCORDANCE WITH ANSI Y14.5M-1994



<b>TITLE</b>		WCL011 OUTLINE	
 CHICAGO, ILLINOIS 60631		<b>REVISION</b> B	<b>DRWG NO.</b> OL-WCL011
		SHEET 1 OF 1	



REVISION		
REV	DATE	DESCRIPTION
A	9/19/18	519868GCP - RELEASE PER EM3052 MRY
B	10/26/20	522955ECP/D - ADD MOUNTING HOLE DIMENSIONS MRY



**SPECIFICATIONS:**

**VOLTAGE RATING:** 600V

**AMPERE RATING:** 175 AMP CU; 135 AMP AL

**SUGGESTED TORQUE (LINE):** 13.6 N-m (120 IN-LBS) 2/0-6 AWG  
4.5 N-m (40 IN-LBS) 8-14 AWG

**SUGGESTED TORQUE (LOAD):** 4 N-m (35 IN-LBS) 4-14 AWG

**WIRE RANGE (LINE):** 2/0-14 AWG Cu/Al  
SOLID/STRANDED

**WIRE RANGE (LOAD):** 4-14 AWG Cu/Al  
SOLID/STRANDED

**FASTENER:** M5 (#10)

**APPROVALS:** cULus (FILE NO. E502265)

●	DENOTES CRITICAL CHARACTERISTICS.
CPK	DENOTES CPK DIMENSIONS, -MINIMUM CPK VALUE
⬡	DENOTES A CHARACTERISTIC THAT PROVIDES AN INDICATION OF PROCESS PERFORMANCE. PROCEDURE FOR MEASUREMENT AND TRACKING TO BE DEFINED IN LITTELFUSE INSPECTION INSTRUCTIONS.
CP	DENOTES CP DIMENSIONS, -MINIMUM CP VALUE MUST BE WITHIN THE DIMENSIONAL LIMITATIONS SHOWN ON DRAWING AND INITIALLY LOCATED TO ALLOW FOR MAXIMUM TOOL LIFE.

**B**

MATL SPEC		FINISH	
DRW myork	DATE 8/17/2018	SCALE NTS	FINISH GOOD WT GRAMS/PIECE

UNLESS OTHERWISE SPECIFIED, DIMENSIONS ARE IN MILLIMETERS, DIMENSIONS IN BRACKETS [ ] ARE INCHES DIMENSIONING AND DO NOT INCLUDE PLATING. TOLERANCING TO BE INTERPRETED IN ACCORDANCE WITH ANSI Y14.5M-1994

3RD ANGLE PROJECTION	
----------------------	--

<b>TITLE</b>	WCL012 OUTLINE		
	<b>REVISION</b>	<b>DRWG NO.</b>	SHEET 1 OF 1
	B	OL-WCL012	