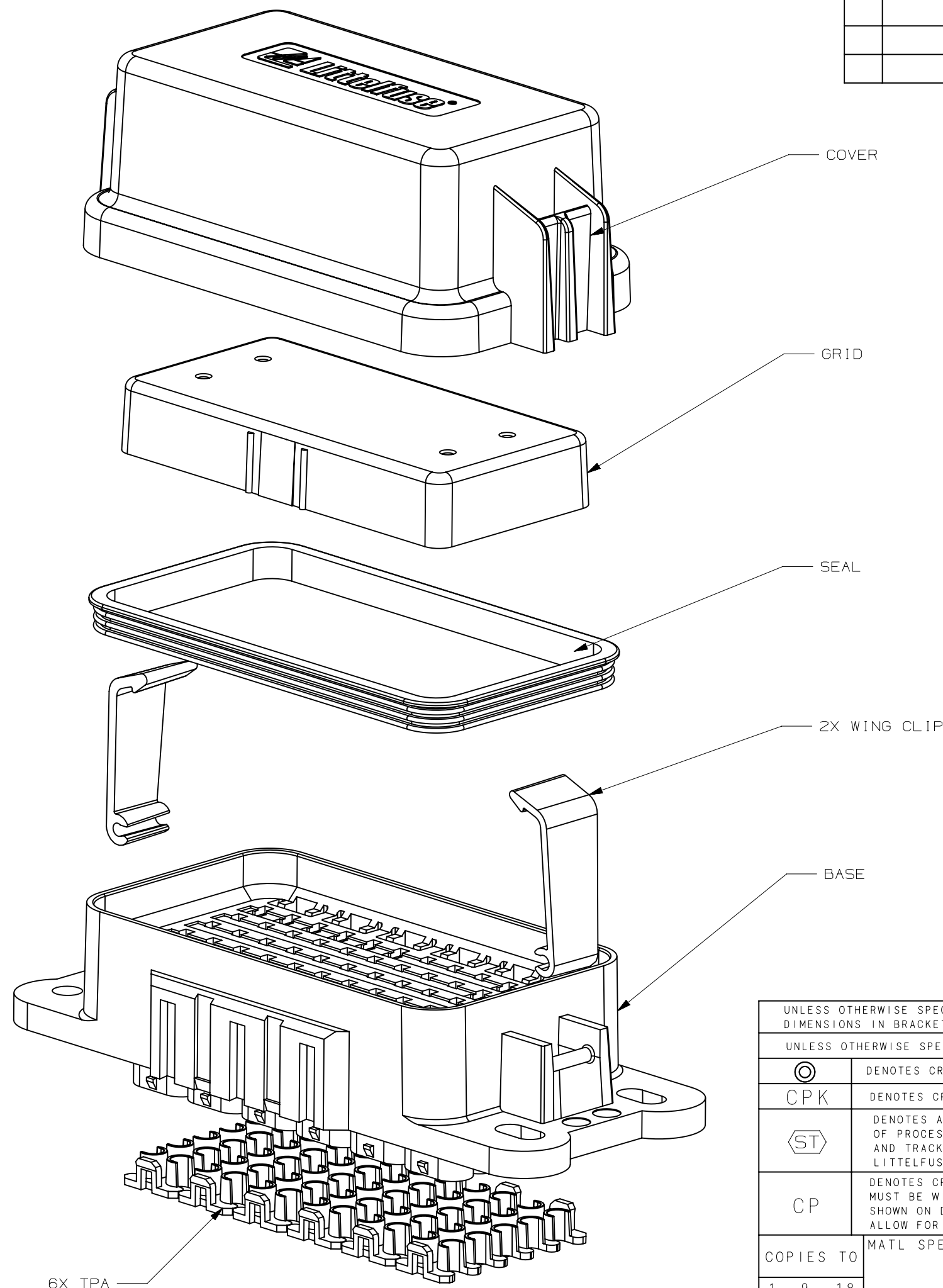
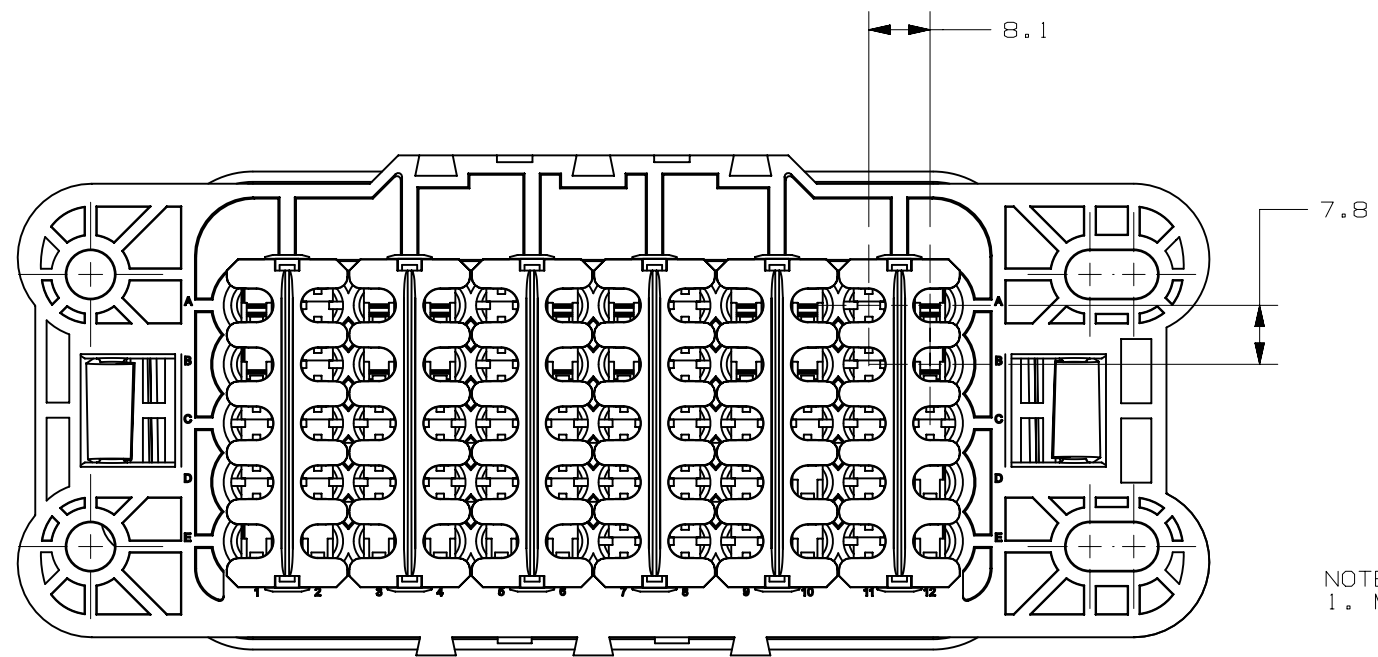
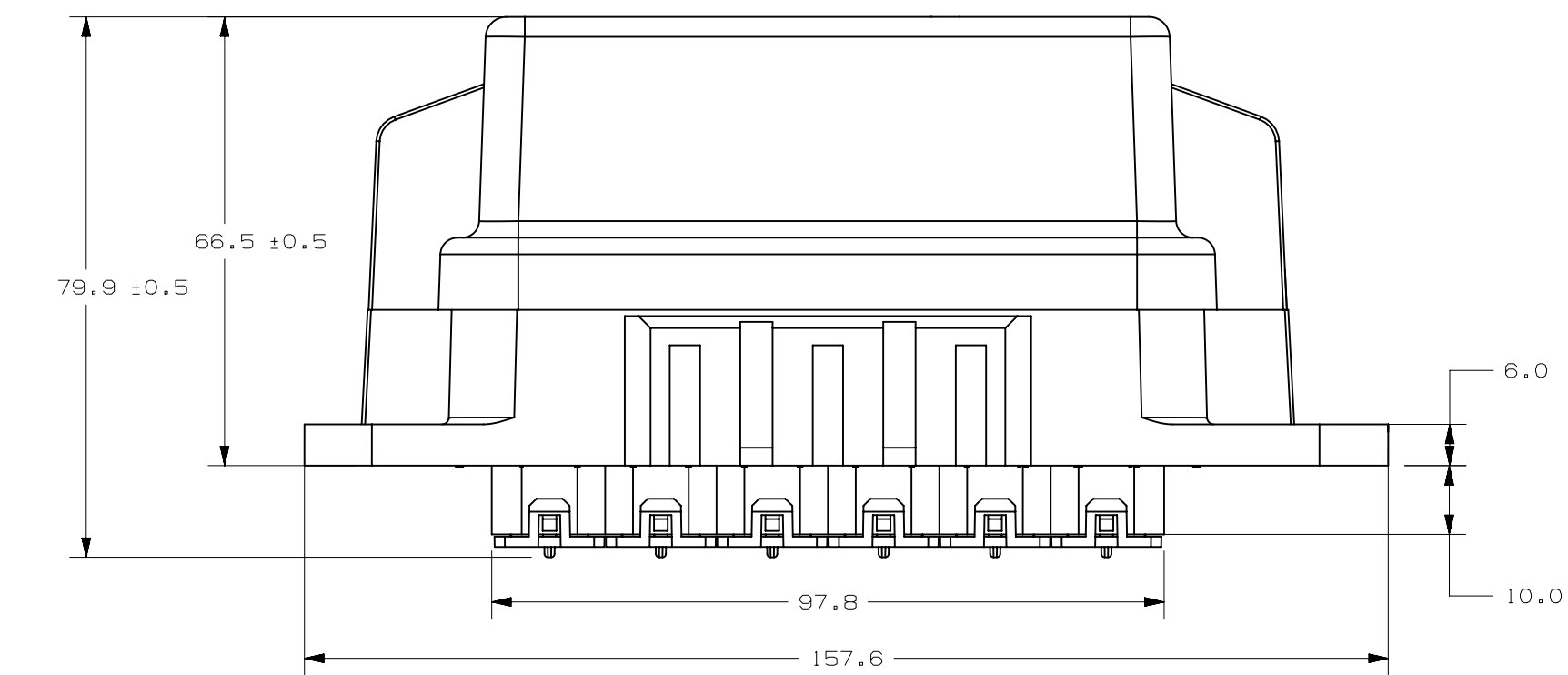
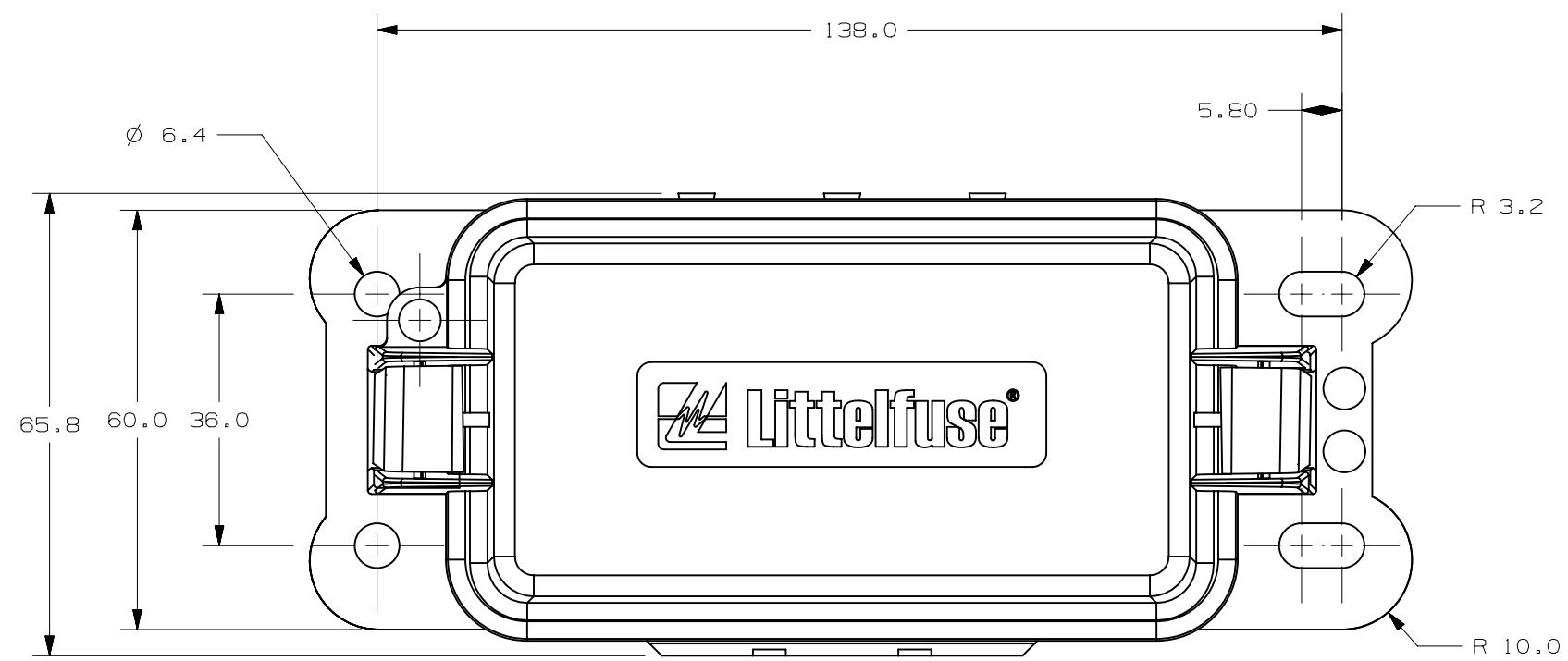


FEMALE TERMINAL FOR MINI FUSE				
CABLE SIZE mm ²	FEMALE TERMINAL (DELPHI 280 SEALED)	CABLE DIA	CABLE SEAL (DELPHI 280 METRI-PACK REEL/LOOSE)	COLOR
0.50 - 0.35	12084201	1.70 - 1.29	12034365/15324983	DARK RED
1.0 - 0.50	12077411	2.15 - 1.60	12089444/15324985	PURPLE
2.0 - 1.0	15363933	2.85 - 2.03	12015284/15324982	GREEN
3.0 - 2.0	12129493	3.49 - 2.81	12015359/15324980	GRAY
5.0	12077413	4.30 - 3.45	12015360/15324981	BLUE
		CAVITY PLUG	12010300	GREEN

LTR	DATE	REVISION	CHK	APD
A	07/31/14	510769ERA-NEW RELEASE	FYUE	
B	12/29/14	511250ECA-UPDATE DIMENSIONS BASE ON ACTUAL PARTS	FYUE	
C	03/25/15	511726ECA-ADD FOUR MORE RIBS ON COVER	FYUE	



- NOTES:
- MATERIAL:
 BASE/COVER: PA66, 30%GF, BLACK
 TPA: PA, BLUE
 SEAL: SILICONE RUBBER, GREEN
 - TORQUE RATING: 4-6 Nm USING M6 BOLT & LOCK WASHER.
 - FUSE RATING: 30A PER CIRCUIT.
 - OPERATING & STORAGE TEMPERATURE: -40°C TO 125°C
 - IP SEALING CLASS PER IEC60529 IP66 & IP67.
 - TERMINAL RETENTION PER USCAR 2 SECTION 5.4.1.3 USING PROPER DELPHI METRI-PACK TERMINALS (SEALED/TANGLSS).
 - TPA RETENTION PER USCAR 2 SECTION 5.4.5.4
 - MAX. CONTINUOUS CURRENT: 250A FOR ENTIRE FUSEHOLDER.

UNLESS OTHERWISE SPECIFIED, DIMENSIONS ARE IN MILLIMETERS. DIMENSIONS IN BRACKETS [] ARE INCHES.

UNLESS OTHERWISE SPECIFIED, DIMENSIONS DO NOT INCLUDE PLATING.

⊙	DENOTES CRITICAL CHARACTERISTICS.
CPK	DENOTES CPK DIMENSIONS, -MINIMUM CPK VALUE
ST	DENOTES A CHARACTERISTIC THAT PROVIDES AN INDICATION OF PROCESS PERFORMANCE. PROCEDURE FOR MEASUREMENT AND TRACKING TO BE DEFINED IN LITTELFUSE INSPECTION INSTRUCTIONS
CP	DENOTES CP DIMENSIONS, -MINIMUM CP VALUE MUST BE WITHIN THE DIMENSIONAL LIMITATIONS SHOWN ON DRAWING AND INITIALLY LOCATED TO ALLOW FOR MAXIMUM TOOL LIFE

COPIES TO	MATL SPEC	SEE NOTE
1 9 18	FINISH	NONE
2 10 19	DRW	FYUE
3 12 20	DATE	07/31/14
4 13 21	SCALE	1:1
5 14 23	CHK	DATE
6 15 33	APPD	DATE
7 16 43	FINSH	GOOD WT
8 17 53	GRAMS/PIECE	

TOLERANCES UNLESS OTHERWISE SPECIFIED (REF. ISO 2768-MH)

DIMENSION	0.5 - 3	3 - 6	6 - 30	30 - 120	120 - 400
TOLERANCE	+0.1	+0.1	+0.2	+0.3	+0.5

3RD ANGLE PROJECTION

TITLE: 60 WAY FUSE HOLDER (NAVISTAR)

REVISION: C

DRWG. NO.: PDM71002ZXM

OUTLINE

METRIC ASSEMBLY

Littelfuse
DES PLAINES, ILLINOIS 60016

CAD GENERATED DRAWING - NO PENCIL CHANGES ALLOWED