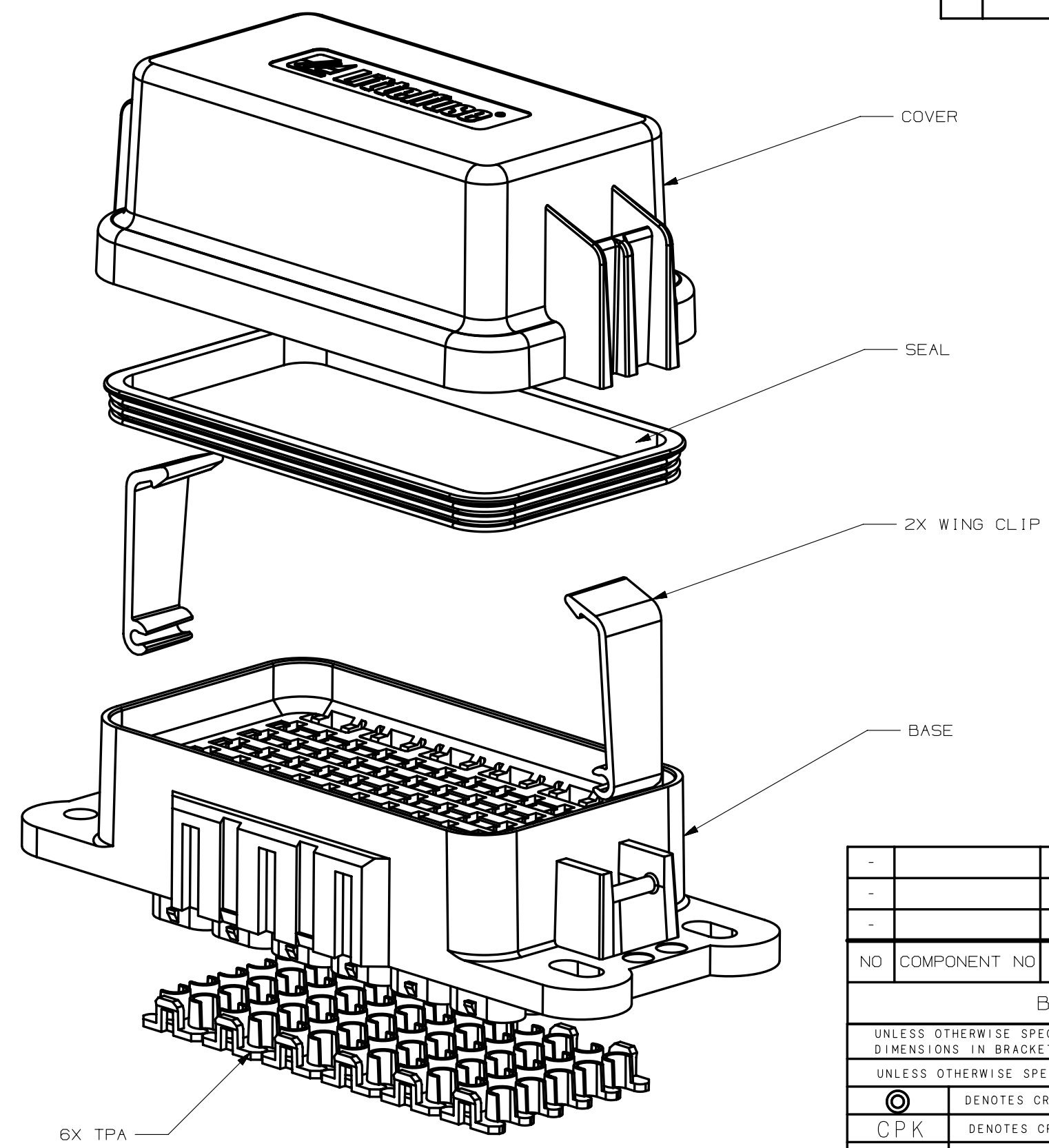


FEMALE TERMINAL FOR MINI FUSE				
CABLE SIZE mm ²	FEMALE TERMINAL (DELPHI 280 SEALED)	CABLE DIA	CABLE SEAL (DELPHI 280 METRI-PACK REEL/LOOSE)	COLOR
0.50 - 0.35	12084201	1.70 - 1.29	12034365/15324983	DARK RED
1.0 - 0.50	12077411	2.15 - 1.60	12089444/15324985	PURPLE
2.0 - 1.0	15363933	2.85 - 2.03	12015284/15324982	GREEN
3.0 - 2.0	12129493	3.49 - 2.81	12015359/15324980	GRAY
5.0	12077413	4.30 - 3.45	12015360/15324981	BLUE
		CAVITY PLUG	12010300	GREEN

LTR	DATE	REVISION	CHK	APD
A	07/31/14	510769ERA-NEW RELEASE FYUE		
B	12/29/14	511250ECA-UPDATE DIMENSIONS BASE ON ACTUAL PARTS FYUE		
C	24/May/16	515930ECA-UPDATE IP RATING FYUE		



- NOTES:
- MATERIAL:
 BASE/COVER: PA66, 30%GF, BLACK
 TPA: PA, BLUE
 SEAL: SILICONE RUBBER, GREEN
 - TORQUE RATING: 4-6 Nm USING M6 BOLT & LOCK WASHER.
 - FUSE RATING: 30A PER CIRCUIT.
 - OPERATING & STORAGE TEMPERATURE: -40°C TO 125°C
 - IP SEALING CLASS PER IEC60529 IP67 & IP69K.
 - TERMINAL RETENTION PER USCAR 2 SECTION 5.4.1.3 USING PROPER DELPHI METRI-PACK TERMINALS (SEALED/TANGLSS).
 - TPA RETENTION PER USCAR 2 SECTION 5.4.5.4
 - MAX. CONTINUOUS CURRENT: 250A FOR ENTIRE FUSEHOLDER.

NO	COMPONENT NO	DESCRIPTION	QTY/M	U/M	
BILL OF MATERIAL					
UNLESS OTHERWISE SPECIFIED, DIMENSIONS ARE IN MILLIMETERS. DIMENSIONS IN BRACKETS () ARE INCHES					
UNLESS OTHERWISE SPECIFIED, DIMENSIONS DO NOT INCLUDE PLATING.					
⊙	DENOTES CRITICAL CHARACTERISTICS.				
CPK	DENOTES CPK DIMENSIONS, -MINIMUM CPK VALUE				
ST	DENOTES A CHARACTERISTIC THAT PROVIDES AN INDICATION OF PROCESS PERFORMANCE. PROCEDURE FOR MEASUREMENT AND TRACKING TO BE DEFINED IN LITTELFUSE INSPECTION INSTRUCTIONS				
CP	DENOTES CP DIMENSIONS, -MINIMUM CP VALUE MUST BE WITHIN THE DIMENSIONAL LIMITATIONS SHOWN ON DRAWING AND INITIALLY LOCATED TO ALLOW FOR MAXIMUM TOOL LIFE				
COPIES TO		MATT SPEC SEE NOTE			
1	9	18	FINISH NONE		
2	10	19			
3	12	20			
4	13	21	DRW	FYUE	
5	14	23	DATE	07/31/14	
6	15	33	SCALE	1:1	
7	16	43	CHK	DATE	
8	17	53	APPD	DATE	
			FINSH	GOOD WT	
			GRAMS/PIECE		
TOLERANCES UNLESS OTHERWISE SPECIFIED (REF. ISO 2768-MH)					
DIMENSION	0.5 - 3	3 - 6	6 - 30	30 - 120	120 - 400
TOLERANCE	+0.1	+0.1	+0.2	+0.3	+0.5
3RD ANGLE PROJECTION					
TITLE 60 WAY FUSE HOLDER					
METRIC ASSEMBLY		Littelfuse		DES PLAINES, ILLINOIS 60016	
REVISION	C	DRWG. NO.	PDM71001ZXM	OUTLINE	

METRIC ASSEMBLY

CAD GENERATED DRAWING - NO PENCIL CHANGES ALLOWED