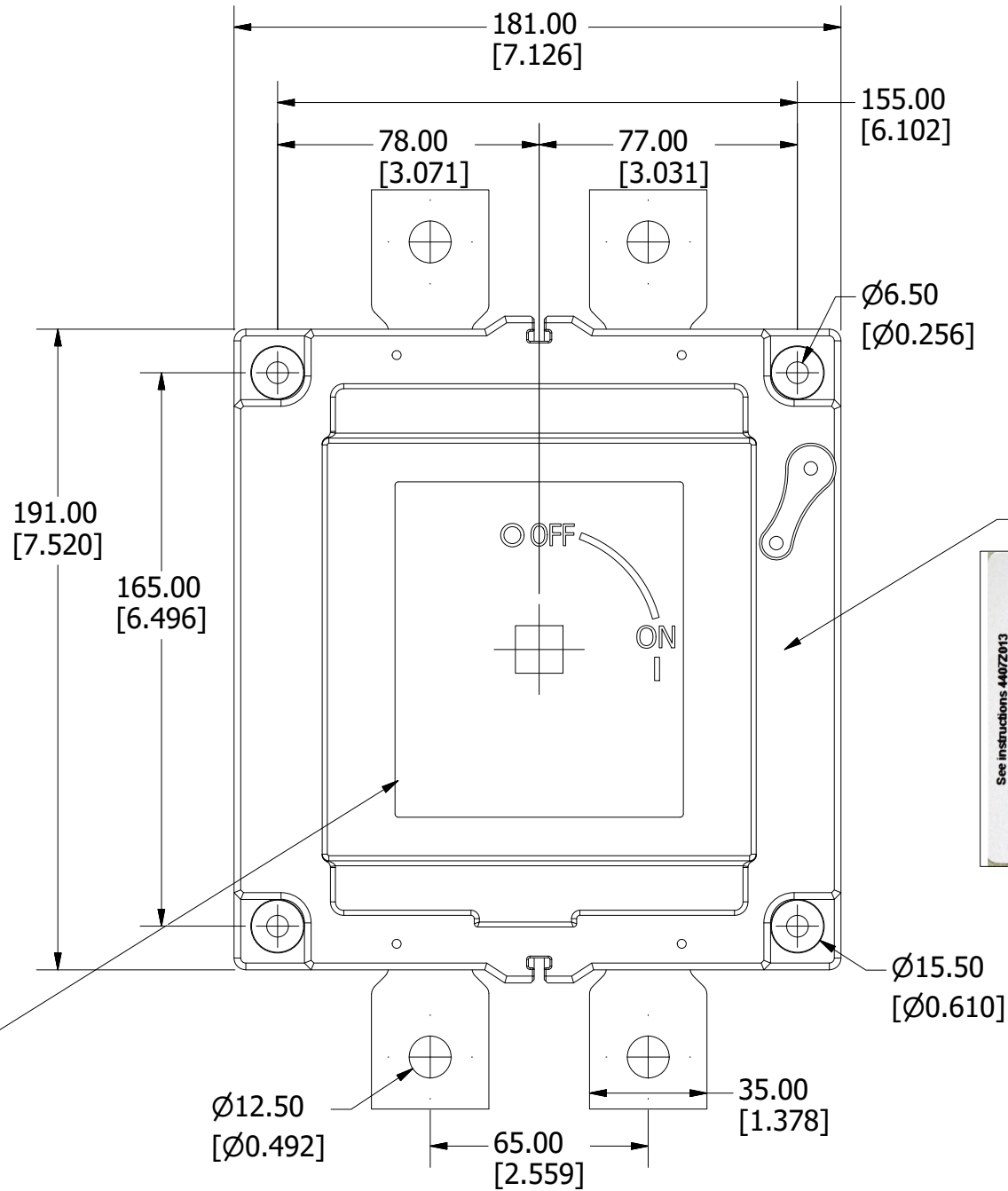
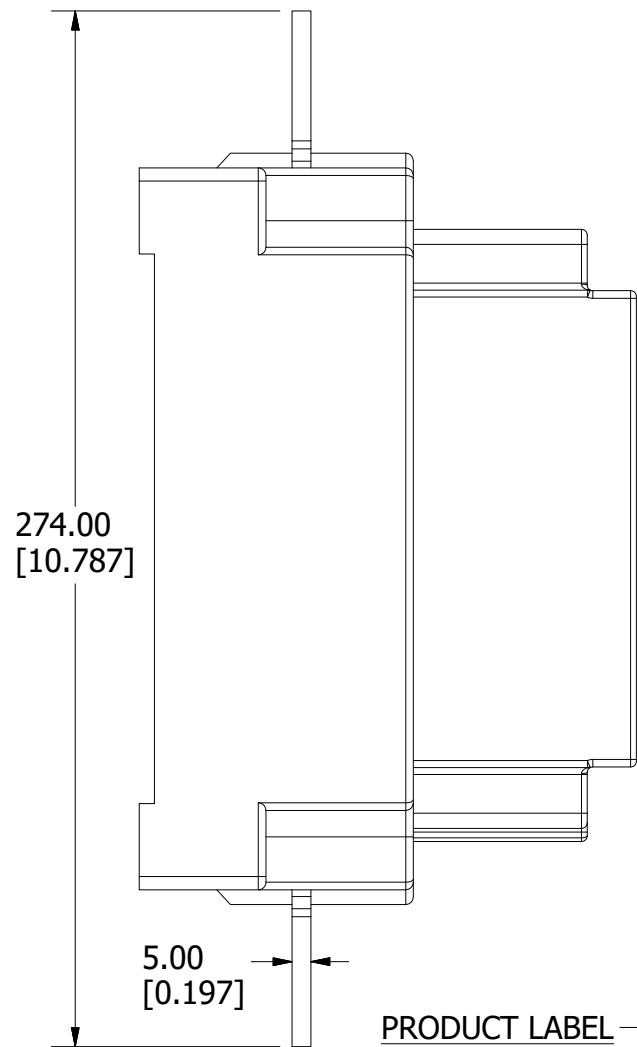


PART NUMBER	UPC CODE
LS604002LS00L	07945826645

REVISION		
REV	DATE	DESCRIPTION
A	4/21/20	522213GCP - RELEASE MRY
B	7/20/20	522414ECP/D - ADD DIMENSION MRY



SPEC LABEL

Par apriete terminal lugs
Terminal torque
Couple de serrage 24 Nxm
des terminaux 212 lbf.in

Bolsa terminales
Kit terminal lugs LDRTL22W
Kit de terminaux

Tipo cable
Wire type Cu
Type de câble

Rango de temperatura
Temperature rating
Intervale de
températures 75 °C

Fecha de fabricación
Manufacture date 01/08/20
Date de fabrication

See instructions 44072013

PRODUCT LABEL

UL LISTED E511898
MADE IN SPAIN
LS604002LS00L
Littelfuse
Open Type PV switch
CE

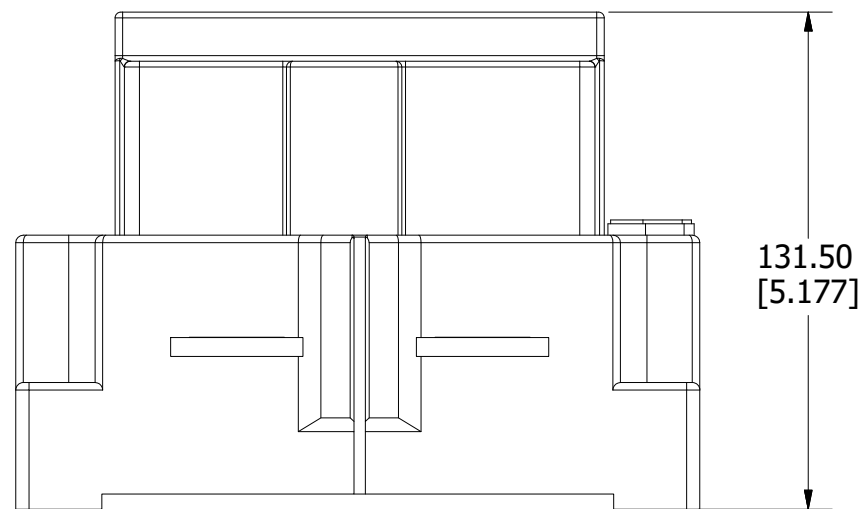
OFF ON

IEC-60947-3
Uimp 12 kV
DC21B-500 V dc-400 A
Ui 1500 V dc lth 400 A

LS6

Conforms to UL98B, -20 °C to 50 °C. PV disconnect switch. Location category B
500 V dc 400 A. Short circuit rating: 10 kA. Torque: 212 lbf.in.
Suitable for use in PV Systems in accordance with article 690 of the NEC.
This switch is suitable for use in a PV system capable of delivering not more than 10 kA, when protected by a PV fuse or PV circuit breaker.

Use accessories according to instructions 44072013



<S>	CRITICAL CHARACTERISTIC FOR PART SAFETY/COMPLIANCE
●	DENOTES CRITICAL CHARACTERISTICS.
CPK	DENOTES CPK DIMENSIONS, -MINIMUM CPK VALUE
⊞	DENOTES A CHARACTERISTIC THAT PROVIDES AN INDICATION OF PROCESS PERFORMANCE. PROCEDURE FOR MEASUREMENT AND TRACKING TO BE DEFINED IN LITTELFUSE INSPECTION INSTRUCTIONS.
CP	DENOTES CP DIMENSIONS, -MINIMUM CP VALUE MUST BE WITHIN THE DIMENSIONAL LIMITATIONS SHOWN ON DRAWING AND INITIALLY LOCATED TO ALLOW FOR MAXIMUM TOOL LIFE.

MATL SPEC	FINISH		
DRW myork	DATE 10/23/2019	SCALE NTS	FINISH GOOD WT GRAMS/PIECE

UNLESS OTHERWISE SPECIFIED, DIMENSIONS ARE IN MILLIMETERS, DIMENSIONS IN BRACKETS [] ARE INCHES DIMENSIONING AND DO NOT INCLUDE PLATING. TOLERANCING TO BE INTERPRETED IN ACCORDANCE WITH ANSI Y14.5M-1994



TITLE DISCONNECT SWITCH 400A 500VDC 2 POLE OUTLINE

Littelfuse CHICAGO, ILLINOIS 60631	REVISION B	DRWG NO. OL-LS604002LS00L	SHEET 1 OF 1
--	---------------	------------------------------	--------------