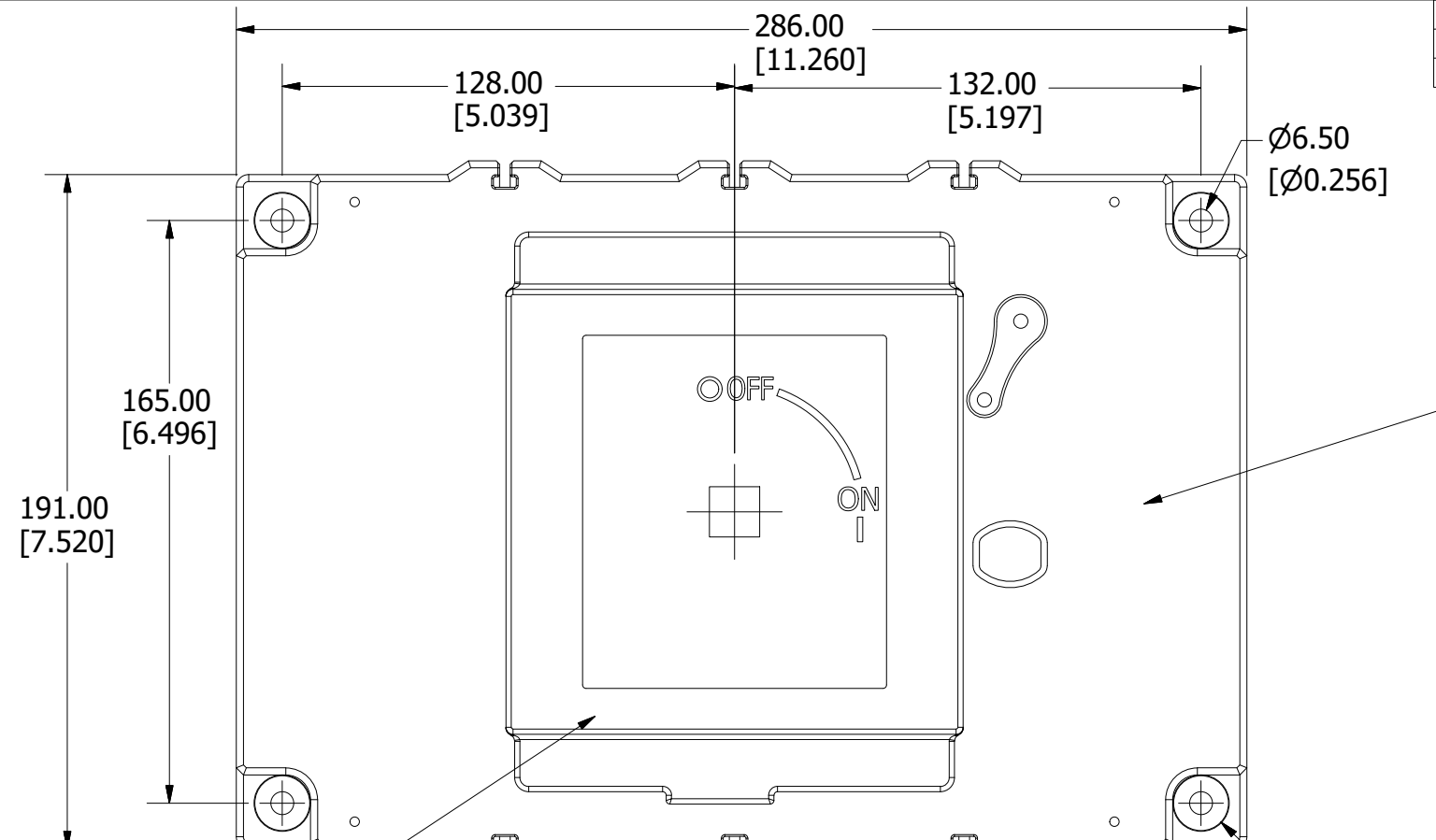
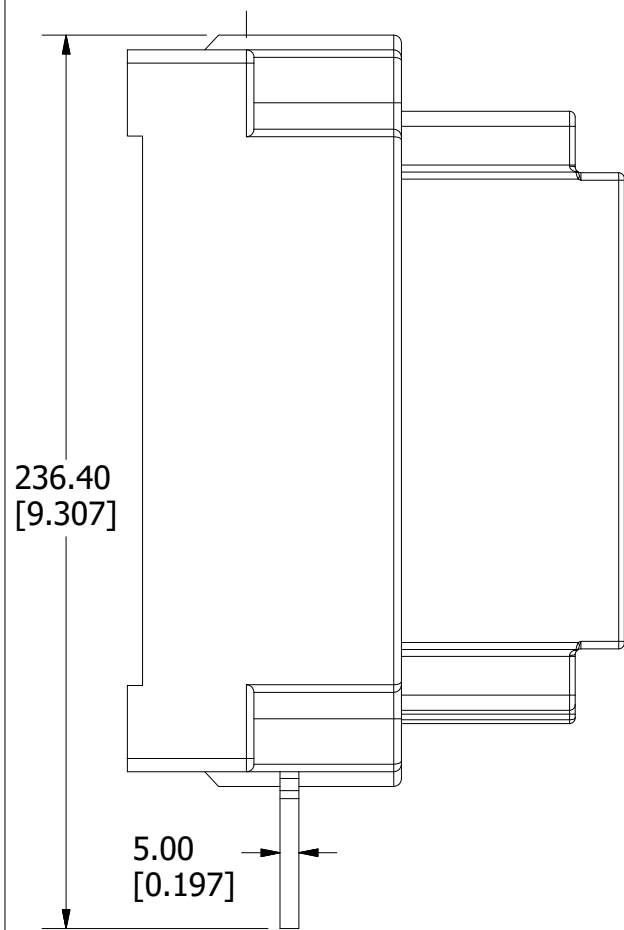


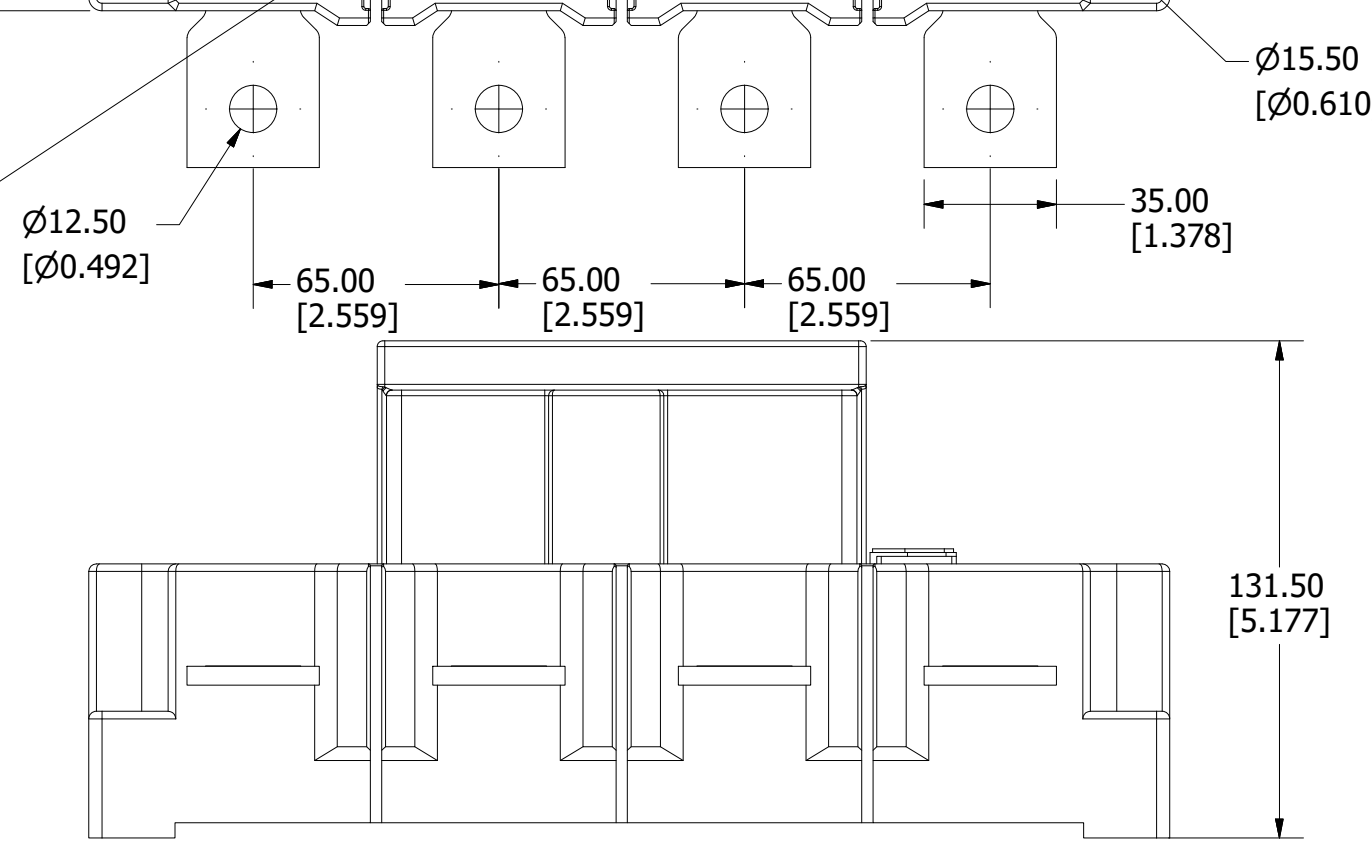
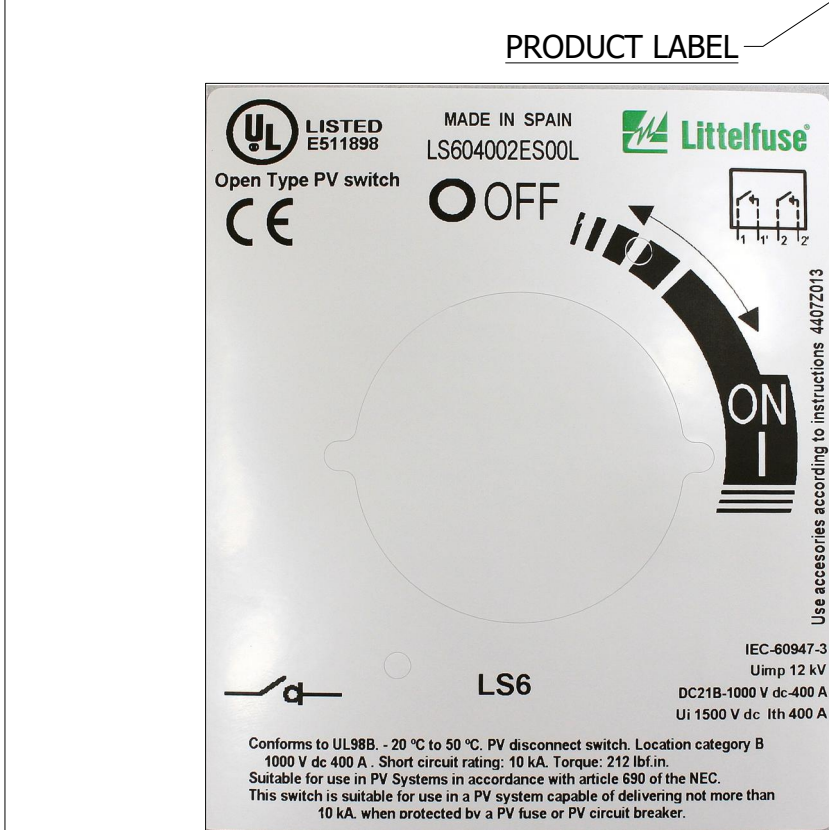
PART NUMBER	UPC CODE
LS604002ES00L	07945826647

REVISION		
REV	DATE	DESCRIPTION
A	4/21/20	522213GCP - RELEASE MRY



SPEC LABEL

See instructions 44072013	Par apriete terminal lugs	
	Terminal torque	24 Nxm
	Couple de serrage	212 lbf·in
	Boisa terminales	
	Kit terminal lugs	LDRTL22W
	Kit de terminaux	
	Tipo cable	
	Wire type	Cu
	Type de câble	
	Rango de temperatura	
Temperature rating	75 °C	
Intervale de temperatur		
Fecha de fabricación		
Manufacture date	01/08/20	
Date de fabrication		



<S>	CRITICAL CHARACTERISTIC FOR PART SAFETY/COMPLIANCE
●	DENOTES CRITICAL CHARACTERISTICS.
CPK	DENOTES CPK DIMENSIONS, -MINIMUM CPK VALUE
⊠	DENOTES A CHARACTERISTIC THAT PROVIDES AN INDICATION OF PROCESS PERFORMANCE. PROCEDURE FOR MEASUREMENT AND TRACKING TO BE DEFINED IN LITTELFUSE INSPECTION INSTRUCTIONS.
CP	DENOTES CP DIMENSIONS, -MINIMUM CP VALUE MUST BE WITHIN THE DIMENSIONAL LIMITATIONS SHOWN ON DRAWING AND INITIALLY LOCATED TO ALLOW FOR MAXIMUM TOOL LIFE.

B

MATL SPEC	FINISH		
DRW myork	DATE 10/23/2019	SCALE NTS	FINISH GOOD WT GRAMS/PIECE
UNLESS OTHERWISE SPECIFIED, DIMENSIONS ARE IN MILLIMETERS, DIMENSIONS IN BRACKETS [] ARE INCHES DIMENSIONING AND DO NOT INCLUDE PLATING. TOLERANCING TO BE INTERPRETED IN ACCORDANCE WITH ANSI Y14.5M-1994			
3RD ANGLE PROJECTION			

TITLE DISCONNECT SWITCH 400A 1000VDC 2 POLE OUTLINE			
	REVISION A	DRWG NO. OL-LS604002ES00L	SHEET 1 OF 1