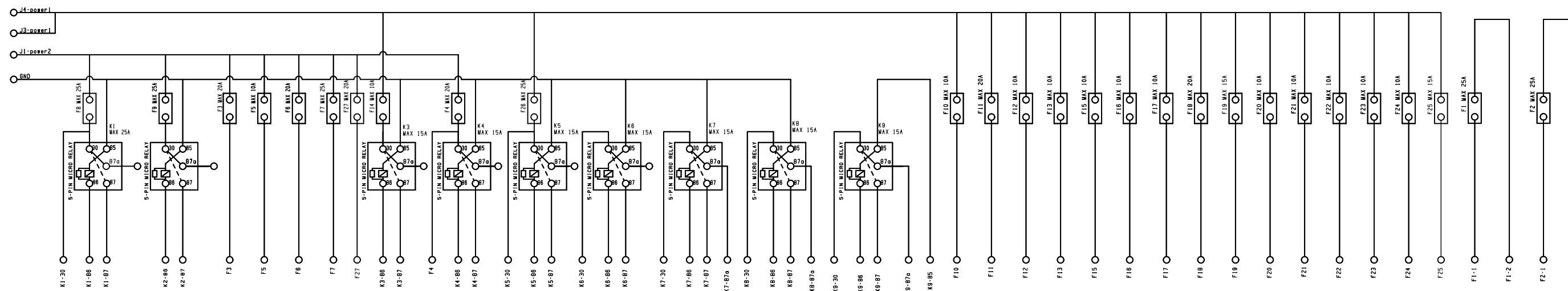
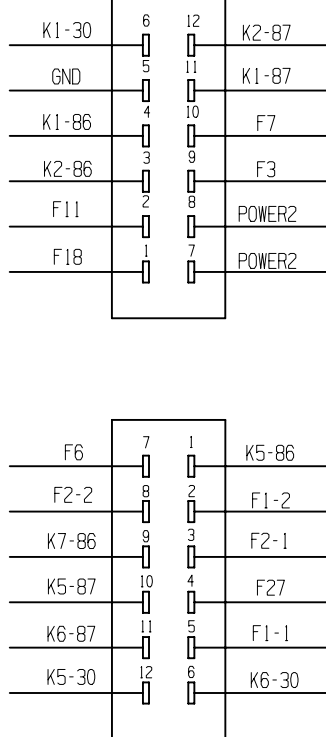


LTR	DATE	REVISION	CHK	APD
A	05/Jan/18	518616GCC NEW RELEASED FYUE		
B	30/Mar/18	519070ECC-UPDATE INPUT CURRENT FYUE		
C	6/Nov/2020	523004ECC-CORRECT CIRCUIT DIAGRAM ERROR FYUE		

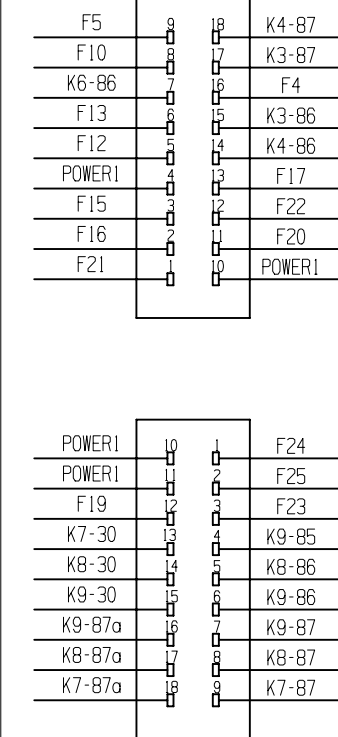


CONNECTOR:TYCO 1-1670901-1  
 TERMINAL:1-968882-1(WIRE SIZE:0.35mm<sup>2</sup>)  
 1-968855-1(WIRE SIZE:0.5-1.0mm<sup>2</sup>)  
 1-968857-1(WIRE SIZE:1.0-2.5mm<sup>2</sup>)  
 1-1719506-1(WIRE SIZE:AWG12 TXL)  
 SEAL:828904-1(WIRE O.D.:1.2-2.1mm)  
 828905-1(WIRE O.D.:2.2-3.0mm, 3.2mm)  
 CAVITY PLUG:828922-1

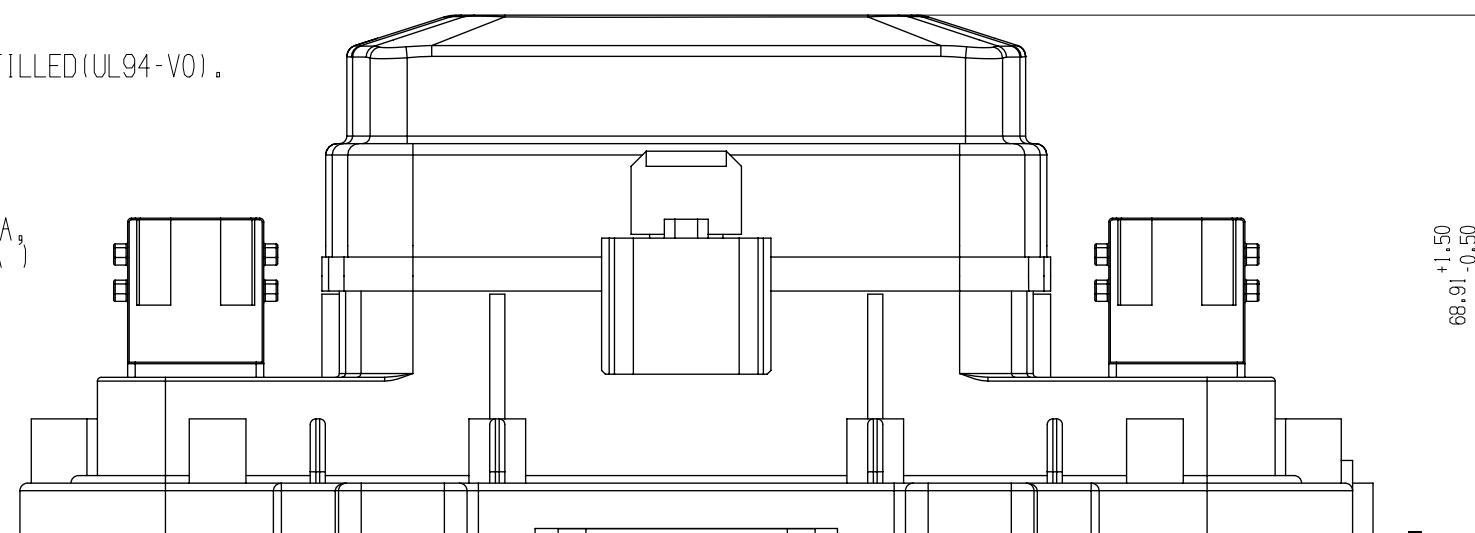
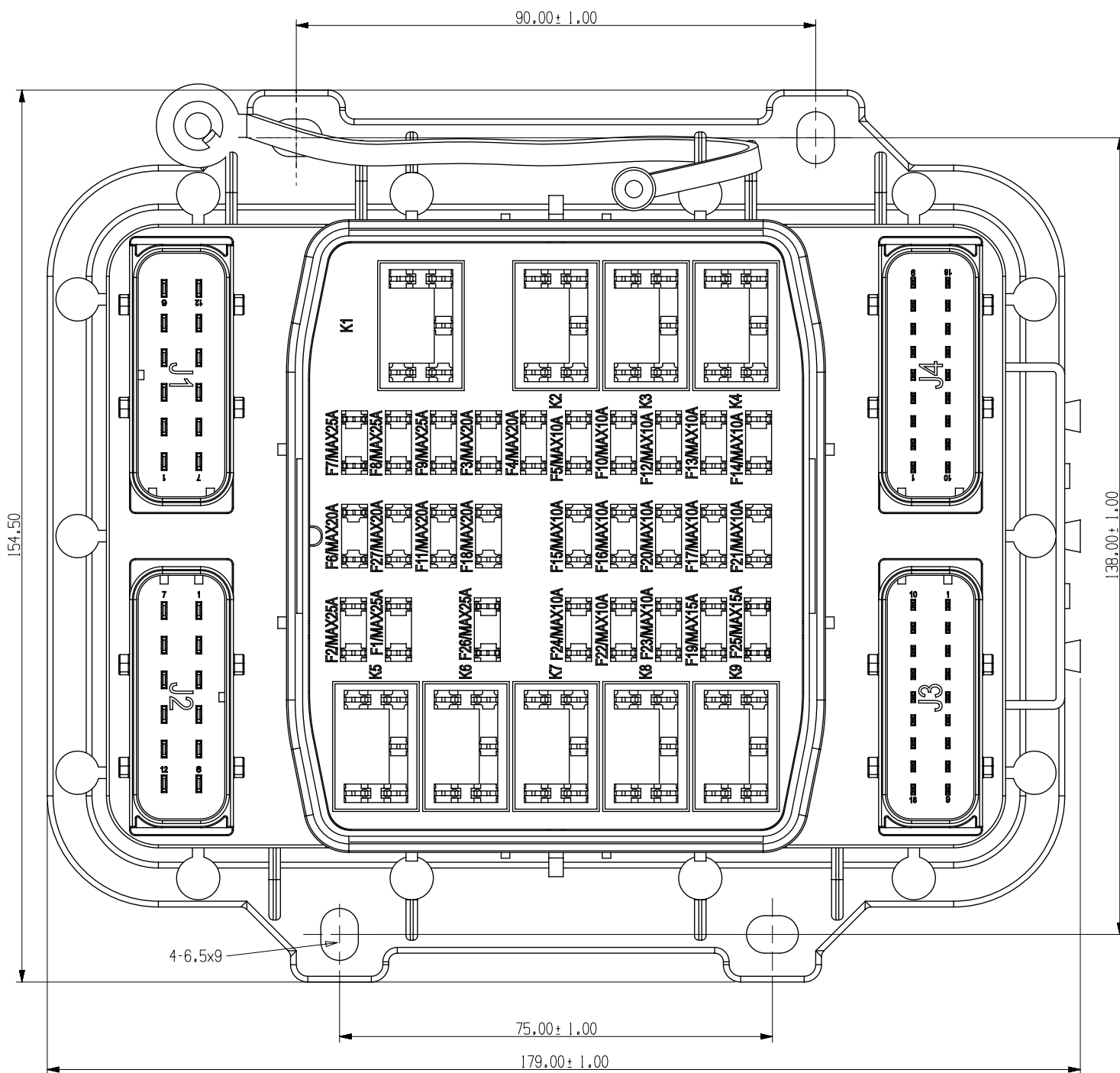
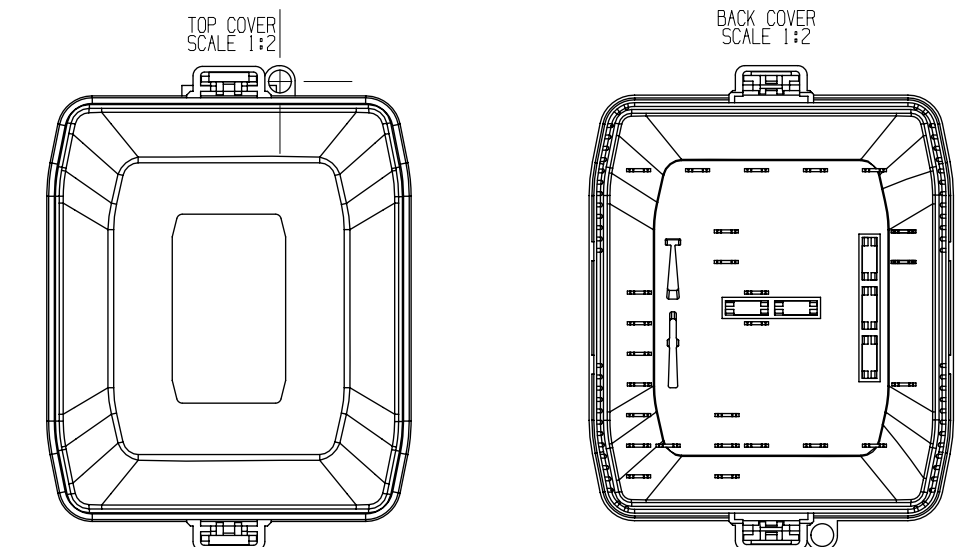


CONNECTOR:TYCO 2-1670901-1  
 TERMINAL:1-968882-1(WIRE SIZE:0.35mm<sup>2</sup>)  
 1-968855-1(WIRE SIZE:0.5-1.0mm<sup>2</sup>)  
 1-968857-1(WIRE SIZE:1.0-2.5mm<sup>2</sup>)  
 1-1719506-1(WIRE SIZE:AWG12 TXL)  
 SEAL:828904-1(WIRE O.D.:1.2-2.1mm)  
 828905-1(WIRE O.D.:2.2-3.0mm, 3.2mm)  
 CAVITY PLUG:828922-1

CONNECTOR:TYCO 1-1563759-1  
 TERMINAL:1241378-1(WIRE SIZE:0.20-0.35mm<sup>2</sup>)  
 1241380-1(WIRE SIZE:0.5-1.0mm<sup>2</sup>)  
 1418884-1(WIRE SIZE:1.0-1.5mm<sup>2</sup>)  
 SEAL:1718705-1(WIRE O.D.:0.9-1.2mm)  
 964971-1(WIRE O.D.:1.2-1.6mm)  
 963530-1(WIRE O.D.:1.4-1.9mm)  
 CAVITY PLUG:963531-1



CONNECTOR:TYCO 3-1563759-1  
 TERMINAL:1241378-1(WIRE SIZE:0.20-0.35mm<sup>2</sup>)  
 1241380-1(WIRE SIZE:0.5-1.0mm<sup>2</sup>)  
 1418884-1(WIRE SIZE:1.0-1.5mm<sup>2</sup>)  
 SEAL:1718705-1(WIRE O.D.:0.9-1.2mm)  
 964971-1(WIRE O.D.:1.2-1.6mm)  
 963530-1(WIRE O.D.:1.4-1.9mm)  
 CAVITY PLUG:963531-1



- NOTES:
- A. MATERIAL: COVER/HOUSING/BASEPLATE/: PET GLASS FILLED(UL94-V01).  
 TETHER: TPE.  
 SCREWS: STEEL TIN PLATED  
 GASKET: SILICON RUBBER
  - B. TAP SCREW TORQUE: 0.45±0.2NM.
  - C. ALL FUSE MUST NO EXCEED 70% OF RATED CURRENT.
  - D. MAX. MAIN INPUT: 160A AT 85° C ( POWER 1 MAX. 70A,  
 POWER 2 MAX. 60A, EXTERNAL CURRENT MAX. 30A )
  - E. OPERATING TEMPERATURE RANGE: -40° C TO +105° C
  - F. RELAY AND FUSES INSERT ACCORDING TO LABEL.
  - G. M6 MOUNTING TORQUE: 6-8NM.

NO	COMPONENT NO	DESCRIPTION	QTY/M	U/M
BILL OF MATERIAL				
UNLESS OTHERWISE SPECIFIED, DIMENSIONS ARE IN MILLIMETERS. DIMENSIONS IN BRACKETS ( ) ARE INCHES				
UNLESS OTHERWISE SPECIFIED, DIMENSIONS DO NOT INCLUDE PLATING.				
⊙	DENOTES CRITICAL CHARACTERISTICS.			
CPK	DENOTES CPK DIMENSIONS, -MINIMUM CPK VALUE			
ST	DENOTES A CHARACTERISTIC THAT PROVIDES AN INDICATION OF PROCESS PERFORMANCE. PROCEDURE FOR MEASUREMENT AND TRACKING TO BE DEFINED IN LITTELFUSE INSPECTION INSTRUCTIONS			
CP	DENOTES CP DIMENSIONS, -MINIMUM CP VALUE MUST BE WITHIN THE DIMENSIONAL LIMITATIONS SHOWN ON DRAWING AND INITIALLY LOCATED TO ALLOW FOR MAXIMUM TOOL LIFE			
COPIES TO	MATT SPEC SEE NOTES			
1	9	18	FINISH N/A	
2	10	19		
3	12	20		
4	13	21	DRW	FYUE DATE 23/Nov/17 SCALE 1:1
5	14	23	CHK	DATE SUPER DR
6	15	33	APPD	DATE FINSH GOOD WT
7	16	43		
8	17	53	GRAMS/PIECE	
TOLERANCES UNLESS OTHERWISE SPECIFIED (REF. ISO 2768-MH)				
DIMENSION	0.5 - 3	3 - 6	6 - 30	30 - 120
TOLERANCE	UP TO OVER	UP TO OVER	UP TO OVER	UP TO OVER
3RD ANGLE PROJECTION	TITLE MARKET EPC			
Littelfuse		REVISION	DRWG. NO.	
DES PLAINES, ILLINOIS 60016		C	01-LFLX0006Z-01	

METRIC ASSEMBLY

CAD GENERATED DRAWING - NO PENCIL CHANGES ALLOWED