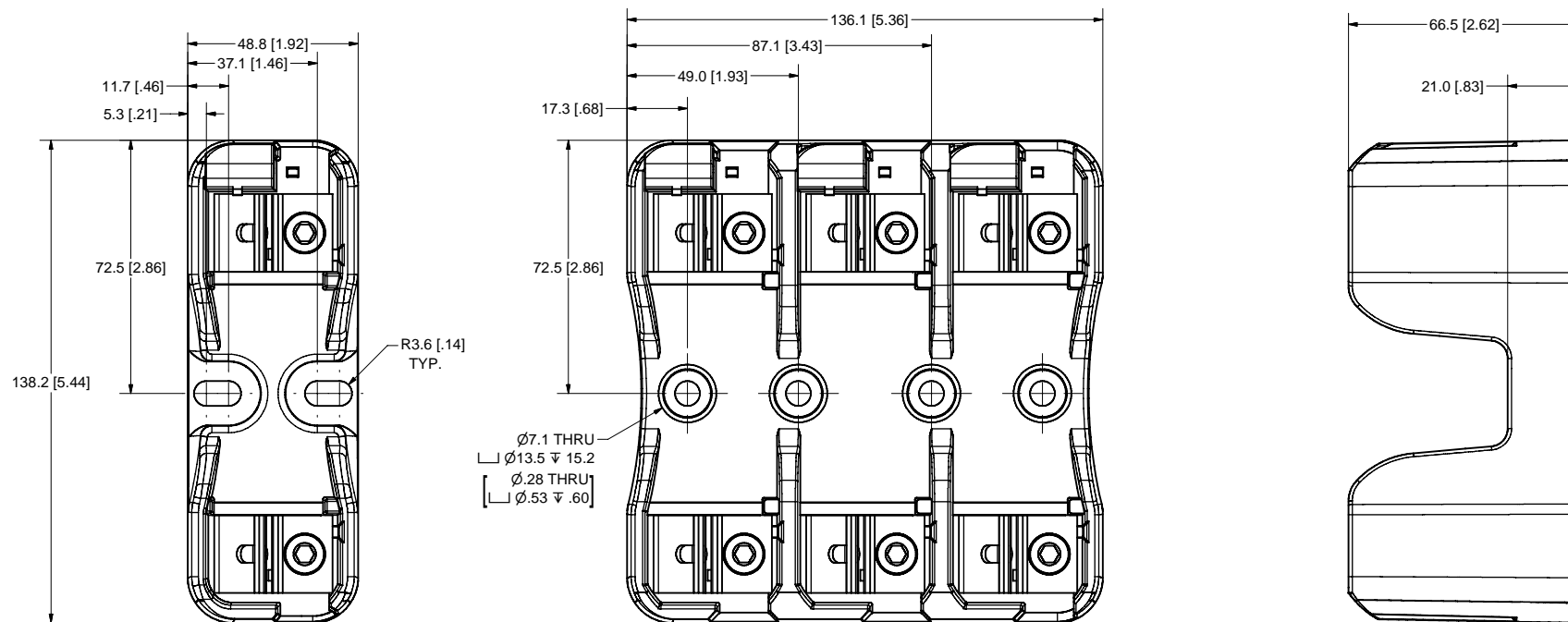


REVISION		DESCRIPTION
REV	DATE	
A	3/21/2011	501865ERP - RELEASE MRY



**SPECIFICATIONS:**

**VOLTAGE RATING:** 600V

**AMPERE RATING:** 100 AMPERES

**INTERRUPT RATING:** 200kA

**TERMINAL TYPE:** BOX LUG

**SUGGESTED TORQUE:** 13.6 N-m (120 IN-LBS) 2/0-6 AWG  
 4.5 N-m (40 IN-LBS) 8 AWG  
 4.0 N-m (35 IN-LBS) 10-14 AWG

**WIRE RANGE:** 2/0-14 AWG Cu/Al  
 SOLID/STRANDED

**APPROVALS:** UL LISTED (FILE NO. E14721)  
 CSA CERTIFIED (FILE NO. LR7316)

●	DENOTES CRITICAL CHARACTERISTICS.		
CPK	DENOTES CPK DIMENSIONS, -MINIMUM CPK VALUE		
(ST)	DENOTES A CHARACTERISTIC THAT PROVIDES AN INDICATION OF PROCESS PERFORMANCE. PROCEDURE FOR MEASUREMENT AND TRACKING TO BE DEFINED IN LITTELFUSE INSPECTION INSTRUCTIONS		
CP	DENOTES CP DIMENSIONS, -MINIMUM CP VALUE MUST BE WITHIN THE DIMENSIONAL LIMITATIONS SHOWN ON DRAWING AND INITIALLY LOCATED TO ALLOW FOR MAXIMUM TOOL LIFE.		
MATL SPEC	FINISH		
DRW M. York	DATE 3/21/2011	SCALE NTS	FINISH GOOD WT GRAMS/PIECE

UNLESS OTHERWISE SPECIFIED, DIMENSIONS ARE IN MILLIMETERS, DIMENSIONS IN BRACKETS [ ] ARE INCHES DIMENSIONING AND DO NOT INCLUDE PLATING. TOLERANCING TO BE INTERPRETED IN ACCORDANCE WITH ANSI Y14.5M-1994

3RD ANGLE PROJECTION	
----------------------	--

**TITLE** LFJ60100 SERIES OUTLINE

<b>Littelfuse</b> DES PLAINES, ILLINOIS 60016	REVISION A	DRWG NO. OL-LFJ60100 Series	SHEET 1 OF 1
--	---------------	--------------------------------	--------------