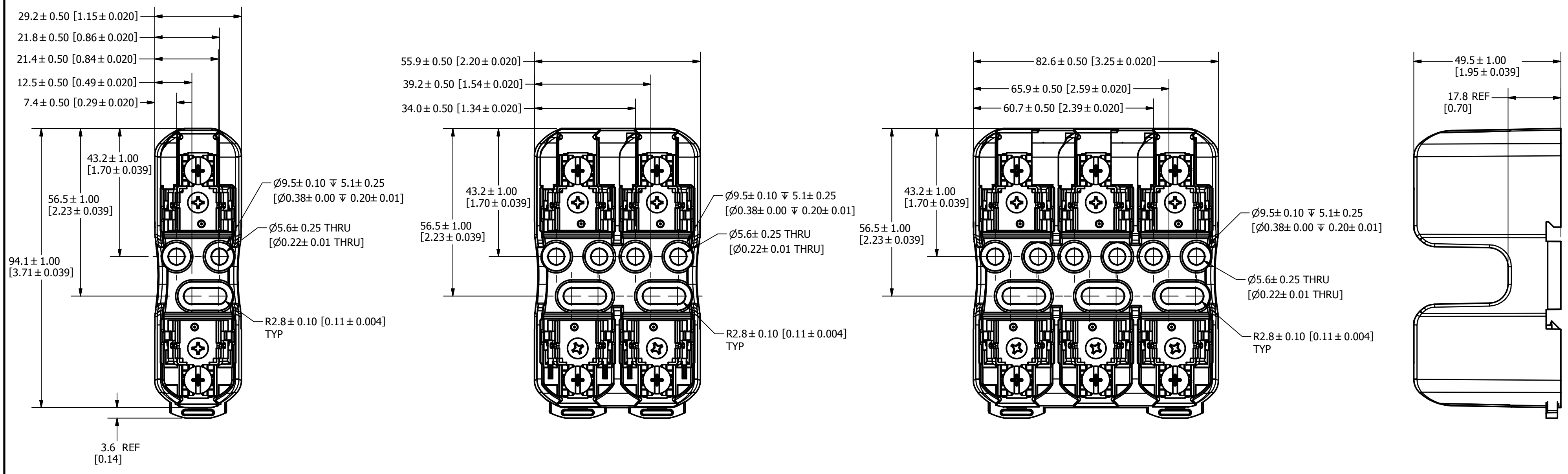


REVISION		
REV	DATE	DESCRIPTION
A	3/21/2011	501865ERP - RELEASE MRY
B	6/11/2015	514412ECP/D - ADD DIMENSION TOLERANCES MRY



**SPECIFICATIONS:**

**VOLTAGE RATING:** 600V  
**AMPERE RATING:** 30 AMPERES  
**INTERRUPT RATING:** 200kA

**TERMINAL TYPE:** PRESSURE PLATE

**SUGGESTED TORQUE:** 2.8 N-m (25 IN-LBS)

**WIRE RANGE:** 10 -14 AWG Cu ONLY  
 SOLID/STRANDED

**APPROVALS:** UL LISTED (FILE NO. E14721)  
 CSA CERTIFIED (FILE NO. LR7316)

●	DENOTES CRITICAL CHARACTERISTICS.		
CPK	DENOTES CPK DIMENSIONS, -MINIMUM CPK VALUE		
(ST)	DENOTES A CHARACTERISTIC THAT PROVIDES AN INDICATION OF PROCESS PERFORMANCE. PROCEDURE FOR MEASUREMENT AND TRACKING TO BE DEFINED IN LITTELFUSE INSPECTION INSTRUCTIONS.		
CP	DENOTES CP DIMENSIONS, -MINIMUM CP VALUE MUST BE WITHIN THE DIMENSIONAL LIMITATIONS SHOWN ON DRAWING AND INITIALLY LOCATED TO ALLOW FOR MAXIMUM TOOL LIFE.		
MATL SPEC	FINISH		
DRW MYORK	DATE 3/21/2011	SCALE NTS	FINISH GOOD WT GRAMS/PIECE
UNLESS OTHERWISE SPECIFIED, DIMENSIONS ARE IN MILLIMETERS, DIMENSIONS IN BRACKETS [ ] ARE INCHES DIMENSIONING AND DO NOT INCLUDE PLATING. TOLERANCING TO BE INTERPRETED IN ACCORDANCE WITH ANSI Y14.5M-1994			
3RD ANGLE PROJECTION			
<b>TITLE</b> LFJ60030-PID SERIES OUTLINE			
<b>Littelfuse</b> DES PLAINES, ILLINOIS 60016		<b>REVISION</b> B	<b>DRWG NO.</b> OL-LFJ60030PID
		SHEET 1 OF 1 SERIES	