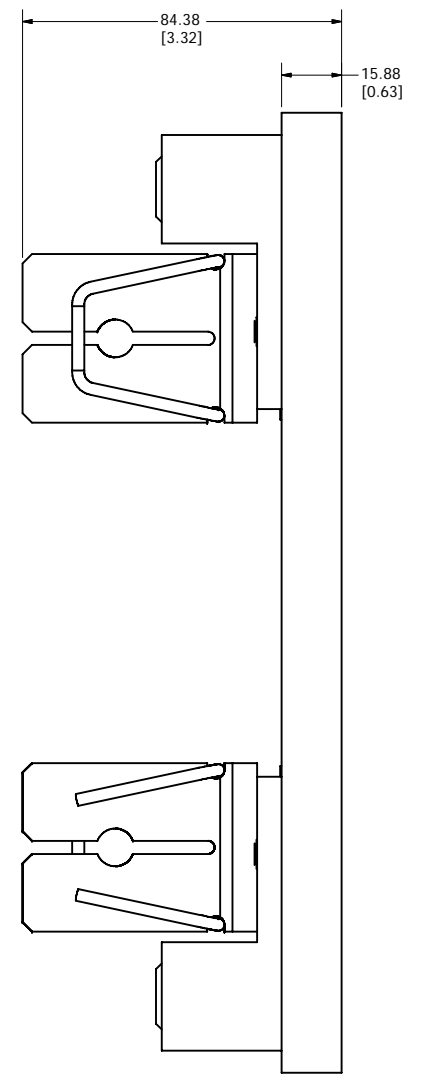
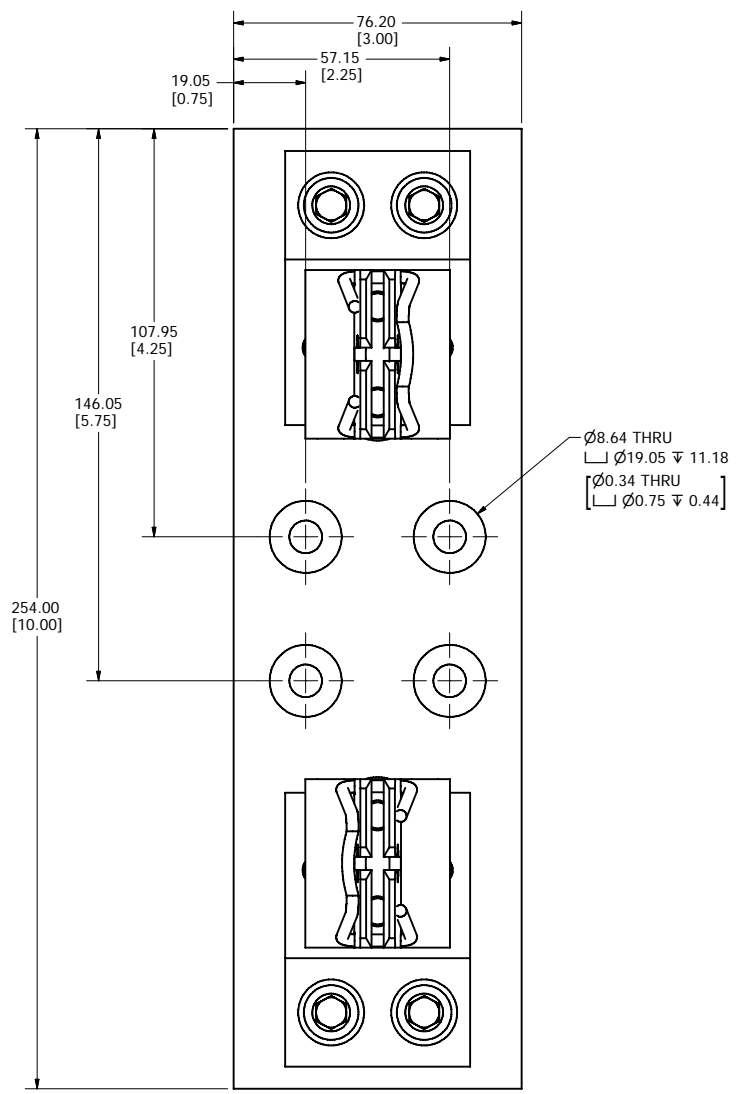


REVISION		DESCRIPTION
REV	DATE	
A	5/31/2011	502443ERP - RELEASE PER SALES RELEASE EM2250 MRY



SPECIFICATIONS:

- VOLTAGE RATING:** 1000VDC
- AMPERE RATING:** 400 AMPERES
- INTERRUPT RATING:** 10kA
- TERMINAL TYPE:** BOX LUG
- SUGGESTED TORQUE:** 31.1 N-m (275in-lb)
- WIRE RANGE:** 350kcmil-1/0 Cu/Al SOLID/STRANDED
- APPROVALS:** UL LISTED (UL 4248-18)

●	DENOTES CRITICAL CHARACTERISTICS.		
CPK	DENOTES CPK DIMENSIONS, -MINIMUM CPK VALUE		
(ST)	DENOTES A CHARACTERISTIC THAT PROVIDES AN INDICATION OF PROCESS PERFORMANCE. PROCEDURE FOR MEASUREMENT AND TRACKING TO BE DEFINED IN LITTELFUSE INSPECTION INSTRUCTIONS		
CP	DENOTES CP DIMENSIONS, -MINIMUM CP VALUE MUST BE WITHIN THE DIMENSIONAL LIMITATIONS SHOWN ON DRAWING AND INITIALLY LOCATED TO ALLOW FOR MAXIMUM TOOL LIFE.		
MATL SPEC		FINISH	
DRW MYORK	DATE 5/27/2011	SCALE NTS	FINISH GOOD WT GRAMS/PIECE
UNLESS OTHERWISE SPECIFIED, DIMENSIONS ARE IN MILLIMETERS, DIMENSIONS IN BRACKETS [] ARE INCHES DIMENSIONING AND DO NOT INCLUDE PLATING. TOLERANCING TO BE INTERPRETED IN ACCORDANCE WITH ANSI Y14.5M-1994			
3RD ANGLE PROJECTION			
TITLE		LFFJ104001C OUTLINE	
		REVISION A	DRWG NO. OL-LFJ104001C
		SHEET 1 OF 1	