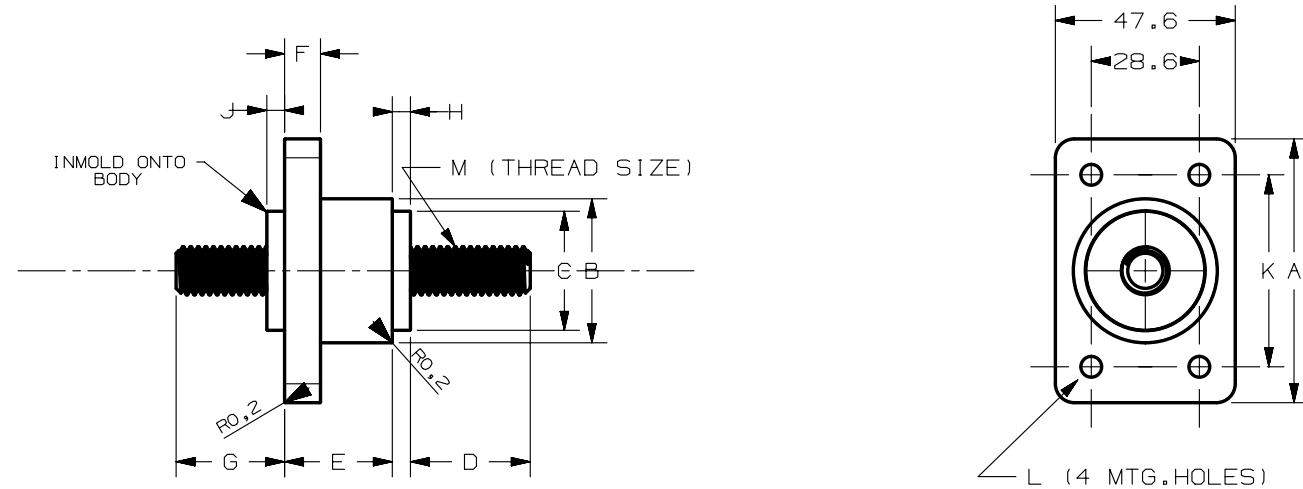
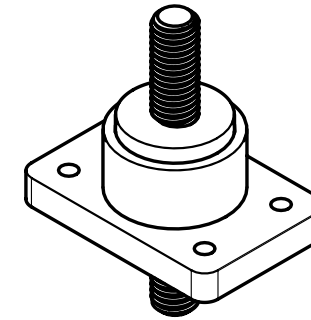


PART NO.	A	B	C	D	E	F	G	H	J	K	L	M	MAX. TORQUE (in-lb/N-m)	MAX. CURRENT RATING (AMPS)	COLOR
JBPT2P01ZXR	69.8 (2.75)	38.1 (1.50)	31.7 (1.25)	31.7 (1.25)	28.6 (1.13)	9.5 (0.37)	28.6 (1.13)	4.8 (0.19)	4.8±0.15 (0.19)	50.8 (2.00)	5.6(0.22) dia. hole w/ 11.2(0.44) dia. C'bore x 4.1(0.16) deep	1/2-13	300 (33.9)	400	RED
JBPT2N02ZXB	69.8 (2.75)	36.6 (1.44)	31.7 (1.25)	38.1 (1.50)	28.6 (1.13)	9.5 (0.37)	None	4.8 (0.19)	None	50.8 (2.00)	5.6(0.22) dia.	1/2-13	300 (33.9)	400	BLACK
JBPT2N03ZXB	69.8 (2.75)	36.3 (1.43)	31.7 (1.25)	38.1 (1.50)	28.6 (1.13)	9.5 (0.37)	None	4.8 (0.19)	None	50.8 (2.00)	5.6(0.22) dia.	5/16-18	75 (8.5)	200	BLACK



METRIC  
ASSEMBLY

NOTES:

- ALL DIMENSIONS ARE FOR REFERENCE ONLY.
- MATERIAL :BODY-> THERMOPLASTIC,PA66  
STUD-> STEEL ZN Plated
- MAXIMUM MOUNTING TORQUE 45 IN.LBS.(5 N-m).
- TEMPERATURE RATING: -40°C TO 125°C

UNLESS OTHERWISE SPECIFIED, DIMENSIONS ARE IN MILLIMETERS.  
DIMENSIONS IN BRACKETS [ ] ARE INCHES

UNLESS OTHERWISE SPECIFIED, DIMENSIONS DO NOT INCLUDE PLATING.

⊙ DENOTES CRITICAL CHARACTERISTICS.  
CPK DENOTES CPK DIMENSIONS, -MINIMUM CPK VALUE  
ST DENOTES A CHARACTERISTIC THAT PROVIDES AN INDICATION OF PROCESS PERFORMANCE. PROCEDURE FOR MEASUREMENT AND TRACKING TO BE DEFINED IN LITTELFUSE INSPECTION INSTRUCTIONS  
CP DENOTES CP DIMENSIONS, -MINIMUM CP VALUE MUST BE WITHIN THE DIMENSIONAL LIMITATIONS SHOWN ON DRAWING AND INITIALLY LOCATED TO ALLOW FOR MAXIMUM TOOL LIFE

COPIES TO		MATERIAL SPEC		FINISH		SCALE		DATE		FINISH GOOD WT		GRAMS/PIECE	
LTR	DATE	REVISION	CHK	APD	DATE	DATE	DATE	UP TO	OVER	UP TO	OVER	UP TO	OVER
1	9	18			08/09/10			0.5	3	6	30	120	400
2	10	19						±0.05	±0.1	±0.15	±0.2		
3	12	20						TOLERANCES UNLESS OTHERWISE SPECIFIED (REF. ISO 2768-FH)					
4	13	21						DIMENSION					
5	14	23						TOLERANCE					
6	15	33						3RD ANGLE PROJECTION					
7	16	43						TITLE					
8	17	53						JUNCTION BLOCKS 1/2"-13 & 5/16"-13 (PASS-THRU & NON-PASS-THRU)					
								LITTLEFUSE LIPA CITY, BATANGAS, PHILIPPINES					
								REVISION DRWG. NO. OL-JBPT2					
								OUTLINE SERIES					