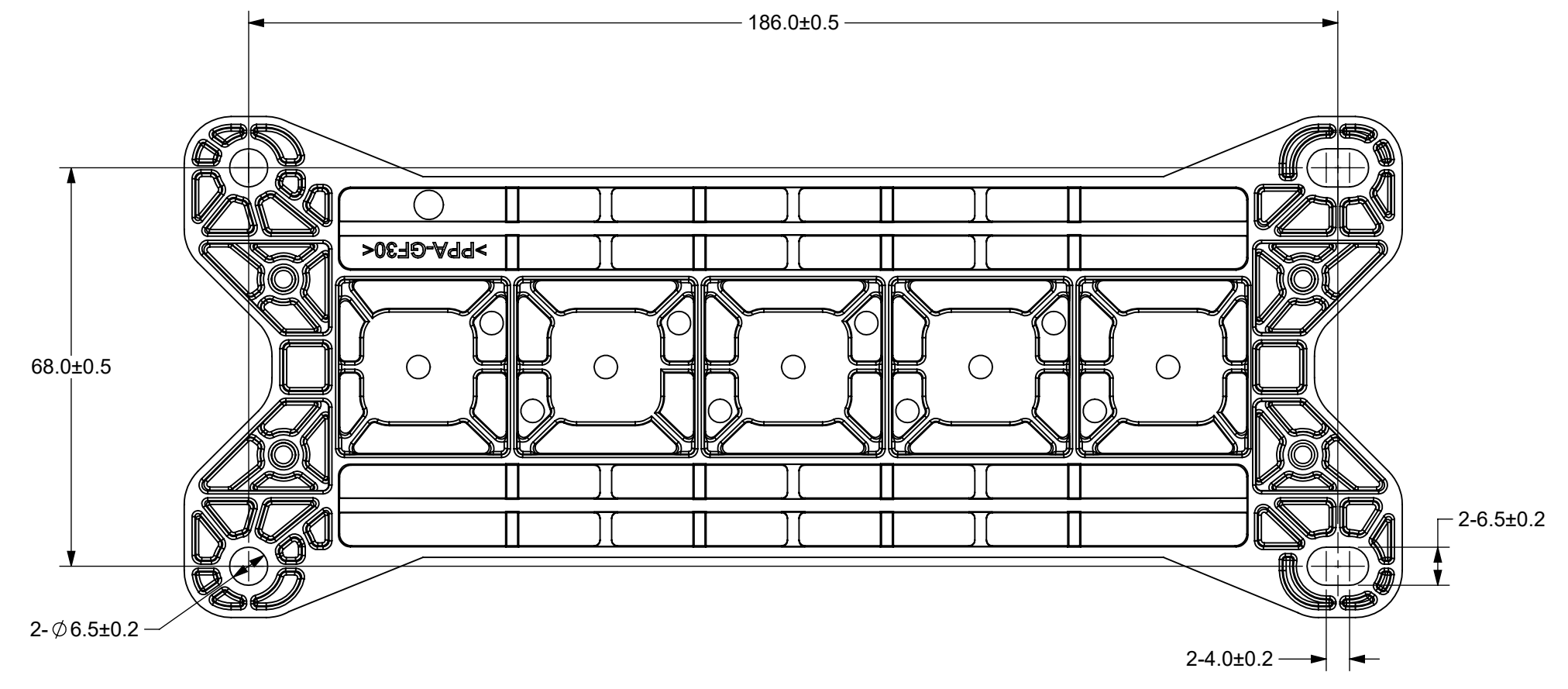
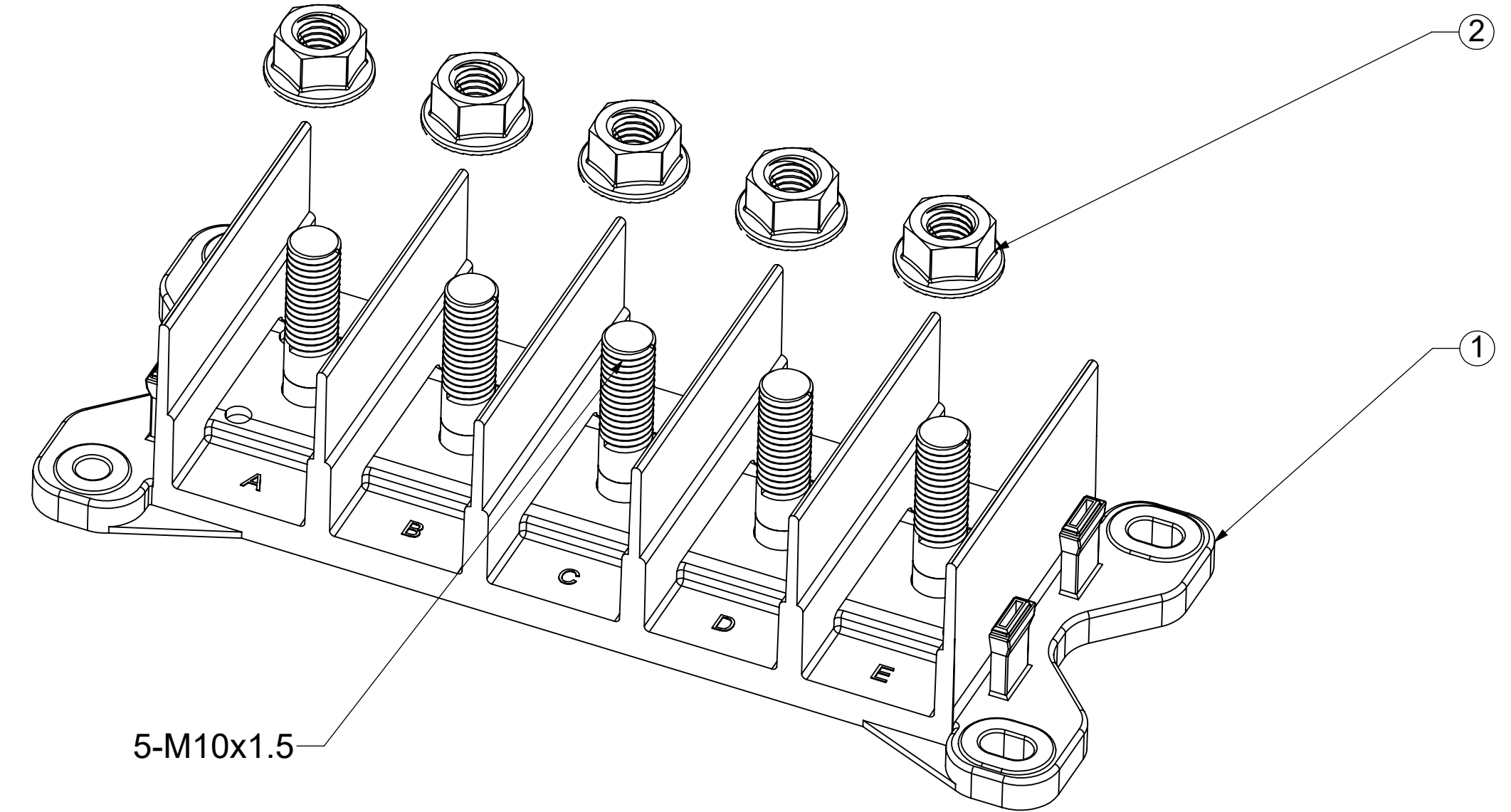
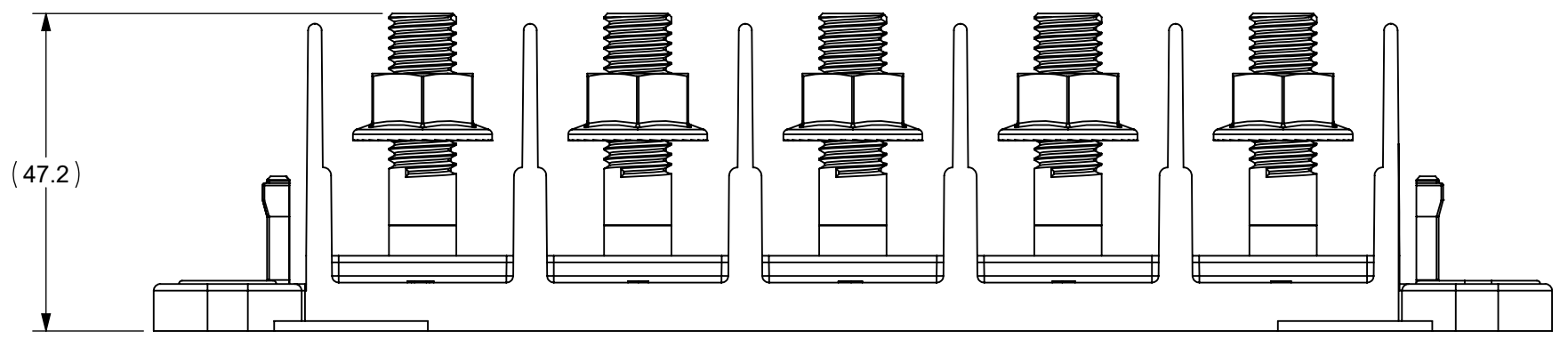
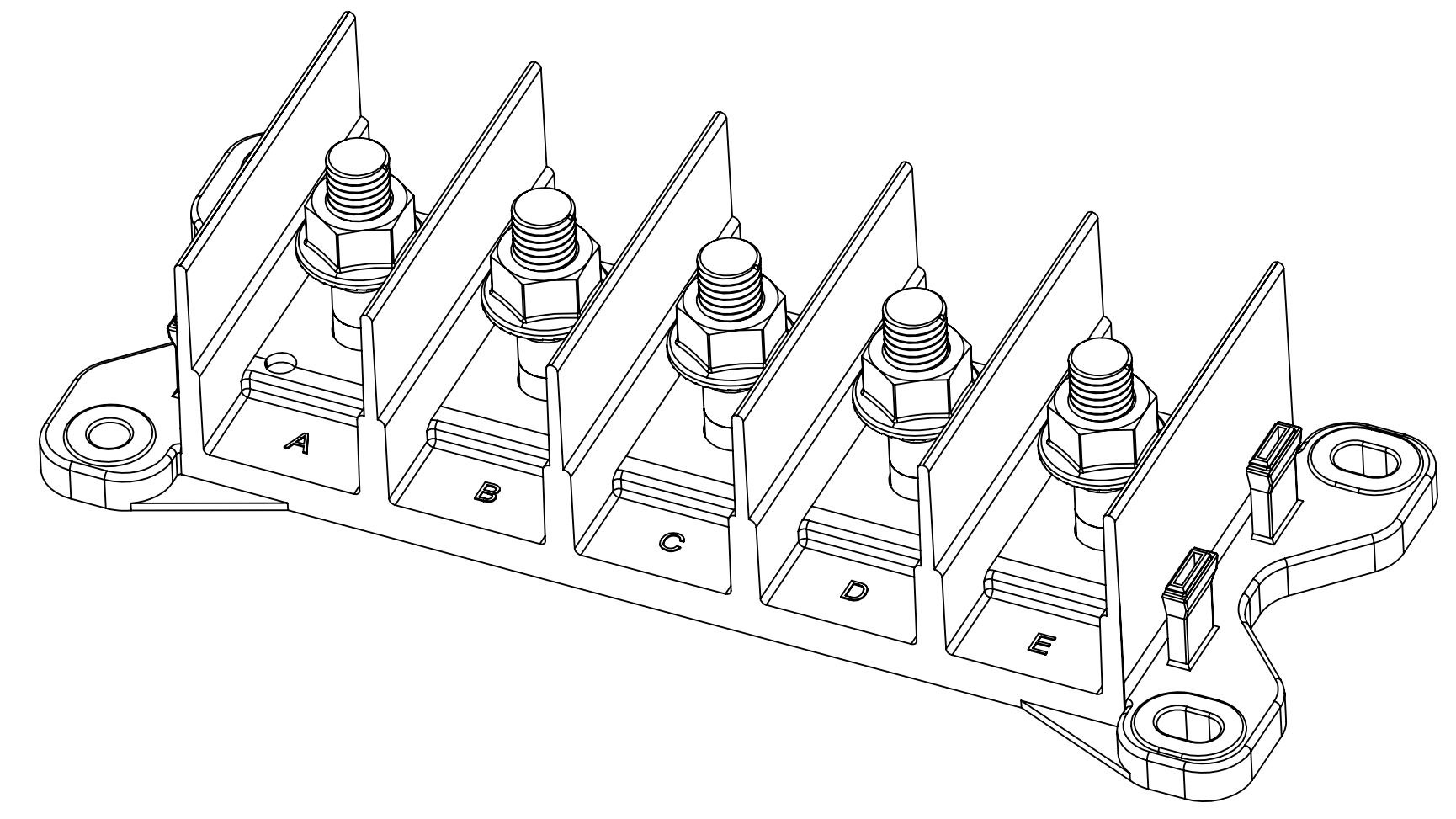
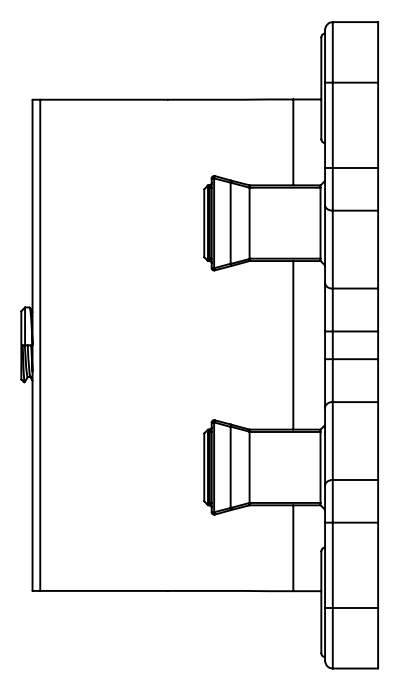
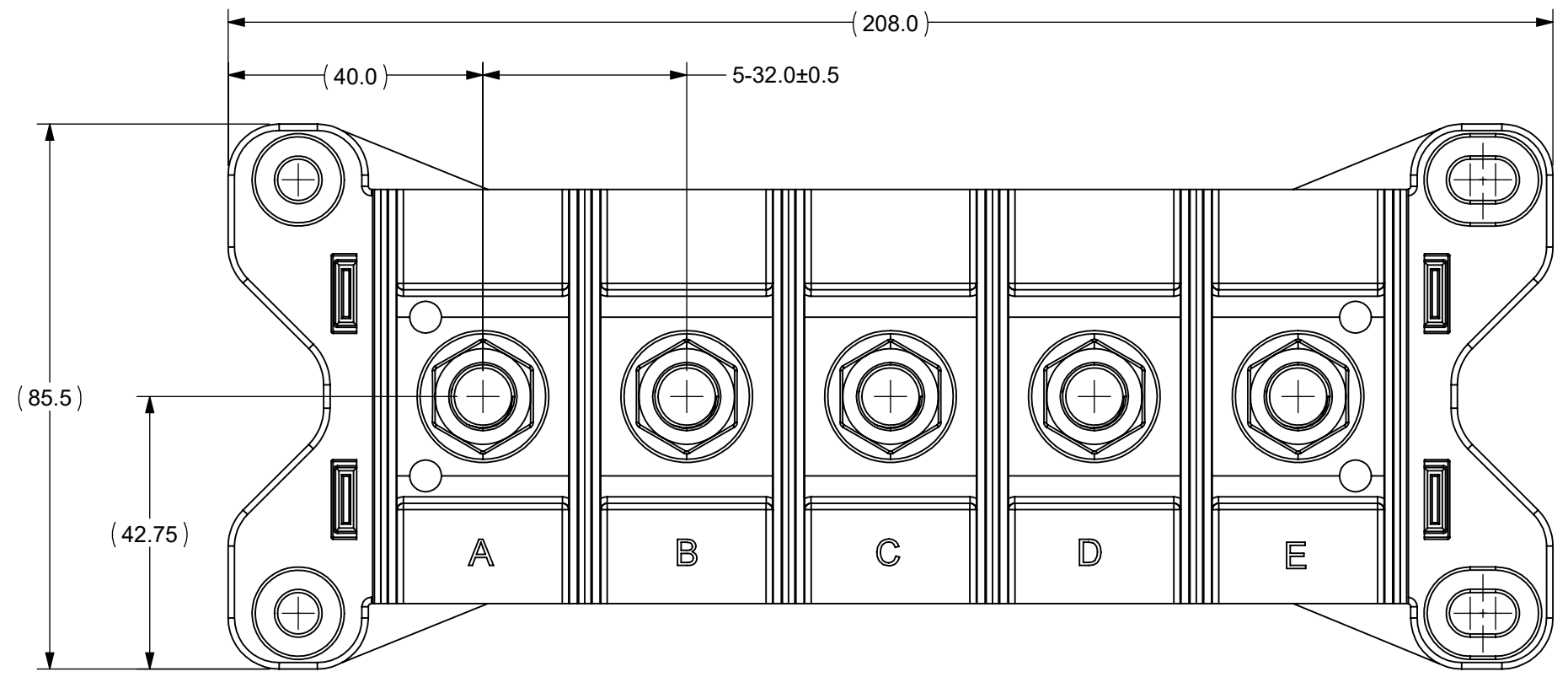


REVISIONS				
ZONE	REV.	DESCRIPTION	DATE	APPROVED
A		PCO5300241:INITIAL RELEASE	15/APR/2023	Du.C



- NOTES:**
- MATERIAL:**
 BASE: PPA-GF30, UL94-V0
 STUD: CARBON STEEL(ZINC-NICKEL PLATING)
 BUSBAR: COPPER C110, TIN PLATED, 2.0mm THICKNESS
 NUT: STAINLESS STEEL
 - OPERATING TEMPERATURE RANGE: -40 °C TO +85 °C
 - STORAGE TEMPERATURE RANGE: -40 °C TO +105 °C
 - MAX CONTINUOUS CURRENT: 400A
 - MAX VOLTAGE: 80V
 - RECOMMENDED M6 MOUNTING TORQUE: 6~8 N-m
 - LF P/N: FHZ415

2	M10 SERRATED FLANGE NUT	5	EA								
1	5P MOLDED BASE	1	EA								
NO. COMPONENT NAME		QTY	U								
LIMIT DIMENSIONS OF PLASTIC MOLDED PARTS FOR NOMINAL SIZE RANGES PER ISO IN LITTELFUSE CVP-APP20-0002, DIMENSIONS: mm											
1 to 3	>3 to 6	>6 to 10	>10 to 18	>18 to 30	>30 to 40	>40 to 100	>100 to 150	>150 to 250	>250 to 315	>315 to 400	ANGLE
+0.08	+0.11	+0.14	+0.17	+0.20	+0.23	+0.30	+0.50	+0.58	+0.70	+0.78	NONE
SURFACE PROFILE DIMENSIONS OF PLASTIC MOLDED PARTS FOR NOMINAL SIZE RANGES PER ISO IN LITTELFUSE CVP-APP20-0002, DIMENSIONS: mm											
0.50	0.50	0.50	0.50	0.50	0.50	0.50	1.0	2.0	4.0	4.0	
DIMENSIONS ARE SHOWN IN MILLIMETERS. DIMENSIONS AND TOLERANCES ARE DEFINED ACCORDING TO ANSI/ASME Y14.5-1994.											
●	FIT/FUNCTION CRITICAL CHARACTERISTICS										
<S>	SAFETY/ COMPLIANCE CRITICAL CHARACTERISTICS SYMBOL										
CPK	DENOTES CPK DIMENSIONS MINIMUM CPK VALUE										
(ST)	DENOTES A CHARACTERISTIC THAT PROVIDES AN INDICATION OF PROCESS PERFORMANCE PROCEDURE FOR MEASUREMENT AND TRACKING TO BE DEFINED IN LITTELFUSE INSPECTION INSTRUCTIONS										
CP	DENOTES CP DIMENSIONS. MINIMUM CP VALUE MUST BE WITHIN THE DIMENSIONAL LIMITATIONS SHOWN ON DRAWING AND INITIALLY LOCATED TO ALLOW FOR MAXIMUM TOOL LIFE.										
NAME		DATE									
DRAWN		Rev.1		10/JAN/2023							
CHECKED		Du.C		10/JAN/2023							
FORM NO.		CVP-FH45-0002 REV. A									
THIRD ANGLE PROJECTION											
TITLE		5P ZCASE HOLDER									
DRAWN		Du.C									
CHECKED		Du.C									
FORM NO.		CVP-FH45-0002 REV. A									
THIRD ANGLE PROJECTION											
TITLE		5P ZCASE HOLDER									
DRAWN		Du.C									
CHECKED		Du.C									
FORM NO.		CVP-FH45-0002 REV. A									
THIRD ANGLE PROJECTION											
TITLE		5P ZCASE HOLDER									
DRAWN		Du.C									
CHECKED		Du.C									
FORM NO.		CVP-FH45-0002 REV. A									
THIRD ANGLE PROJECTION											
TITLE		5P ZCASE HOLDER									
DRAWN		Du.C									
CHECKED		Du.C									
FORM NO.		CVP-FH45-0002 REV. A									
THIRD ANGLE PROJECTION											
TITLE		5P ZCASE HOLDER									
DRAWN		Du.C									
CHECKED		Du.C									
FORM NO.		CVP-FH45-0002 REV. A									
THIRD ANGLE PROJECTION											
TITLE		5P ZCASE HOLDER									
DRAWN		Du.C									
CHECKED		Du.C									
FORM NO.		CVP-FH45-0002 REV. A									
THIRD ANGLE PROJECTION											
TITLE		5P ZCASE HOLDER									
DRAWN		Du.C									
CHECKED		Du.C									
FORM NO.		CVP-FH45-0002 REV. A									
THIRD ANGLE PROJECTION											
TITLE		5P ZCASE HOLDER									
DRAWN		Du.C									
CHECKED		Du.C									
FORM NO.		CVP-FH45-0002 REV. A									
THIRD ANGLE PROJECTION											
TITLE		5P ZCASE HOLDER									
DRAWN		Du.C									
CHECKED		Du.C									
FORM NO.		CVP-FH45-0002 REV. A									
THIRD ANGLE PROJECTION											
TITLE		5P ZCASE HOLDER									
DRAWN		Du.C									
CHECKED		Du.C									
FORM NO.		CVP-FH45-0002 REV. A									
THIRD ANGLE PROJECTION											
TITLE		5P ZCASE HOLDER									
DRAWN		Du.C									
CHECKED		Du.C									
FORM NO.		CVP-FH45-0002 REV. A									
THIRD ANGLE PROJECTION											
TITLE		5P ZCASE HOLDER									
DRAWN		Du.C									
CHECKED		Du.C									
FORM NO.		CVP-FH45-0002 REV. A									
THIRD ANGLE PROJECTION											
TITLE		5P ZCASE HOLDER									
DRAWN		Du.C									
CHECKED		Du.C									
FORM NO.		CVP-FH45-0002 REV. A									
THIRD ANGLE PROJECTION											
TITLE		5P ZCASE HOLDER									
DRAWN		Du.C									
CHECKED		Du.C									
FORM NO.		CVP-FH45-0002 REV. A									
THIRD ANGLE PROJECTION											
TITLE		5P ZCASE HOLDER									
DRAWN		Du.C									
CHECKED		Du.C									
FORM NO.		CVP-FH45-0002 REV. A									
THIRD ANGLE PROJECTION											
TITLE		5P ZCASE HOLDER									
DRAWN		Du.C									
CHECKED		Du.C									
FORM NO.		CVP-FH45-0002 REV. A									
THIRD ANGLE PROJECTION											
TITLE		5P ZCASE HOLDER									
DRAWN		Du.C									
CHECKED		Du.C									
FORM NO.		CVP-FH45-0002 REV. A									
THIRD ANGLE PROJECTION											
TITLE		5P ZCASE HOLDER									
DRAWN		Du.C									
CHECKED		Du.C									
FORM NO.		CVP-FH45-0002 REV. A									
THIRD ANGLE PROJECTION											
TITLE		5P ZCASE HOLDER									
DRAWN		Du.C									
CHECKED		Du.C									
FORM NO.		CVP-FH45-0002 REV. A									
THIRD ANGLE PROJECTION											
TITLE		5P ZCASE HOLDER									
DRAWN		Du.C									
CHECKED		Du.C									
FORM NO.		CVP-FH45-0002 REV. A									
THIRD ANGLE PROJECTION											
TITLE		5P ZCASE HOLDER									
DRAWN		Du.C									
CHECKED		Du.C									
FORM NO.		CVP-FH45-0002 REV. A									
THIRD ANGLE PROJECTION											
TITLE		5P ZCASE HOLDER									
DRAWN		Du.C									
CHECKED		Du.C									
FORM NO.		CVP-FH45-0002 REV. A									
THIRD ANGLE PROJECTION											
TITLE		5P ZCASE HOLDER									
DRAWN		Du.C									
CHECKED		Du.C									
FORM NO.		CVP-FH45-0002 REV. A									
THIRD ANGLE PROJECTION											
TITLE		5P ZCASE HOLDER									
DRAWN		Du.C									
CHECKED		Du.C									
FORM NO.		CVP-FH45-0002 REV. A									
THIRD ANGLE PROJECTION											
TITLE		5P ZCASE HOLDER									
DRAWN		Du.C									
CHECKED		Du.C									
FORM NO.		CVP-FH45-0002 REV. A									
THIRD ANGLE PROJECTION											
TITLE		5P ZCASE HOLDER									
DRAWN		Du.C									
CHECKED		Du.C									
FORM NO.		CVP-FH45-0002 REV. A									
THIRD ANGLE PROJECTION											
TITLE		5P ZCASE HOLDER									
DRAWN		Du.C									
CHECKED		Du.C									
FORM NO.		CVP-FH45-0002 REV. A									
THIRD ANGLE PROJECTION											
TITLE		5P ZCASE HOLDER									
DRAWN		Du.C									
CHECKED		Du.C									
FORM NO.		CVP-FH45-0002 REV. A									
THIRD ANGLE PROJECTION											
TITLE		5P ZCASE HOLDER									
DRAWN		Du.C									
CHECKED		Du.C									
FORM NO.		CVP-FH45-0002 REV. A									
THIRD ANGLE PROJECTION											
TITLE		5P ZCASE HOLDER									
DRAWN		Du.C									
CHECKED		Du.C									
FORM NO.		CVP-FH45-0002 REV. A									
THIRD ANGLE PROJECTION											
TITLE		5P ZCASE HOLDER									
DRAWN		Du.C									
CHECKED		Du.C									
FORM NO.		CVP-FH45-0002 REV. A									
THIRD ANGLE PROJECTION											
TITLE		5P ZCASE HOLDER									
DRAWN		Du.C									
CHECKED		Du.C									
FORM NO.		CVP-FH45-0002 REV. A									
THIRD ANGLE PROJECTION											
TITLE		5P ZCASE HOLDER									
DRAWN		Du.C									
CHECKED		Du.C									
FORM NO.		CVP-FH45-0002 REV. A									
THIRD ANGLE PROJECTION											
TITLE		5P ZCASE HOLDER									
DRAWN		Du.C									
CHECKED		Du.C									
FORM NO.		CVP-FH45-0002 REV. A									
THIRD ANGLE PROJECTION											
TITLE		5P ZCASE HOLDER									
DRAWN		Du.C									
CHECKED		Du.C									
FORM NO.		CVP-FH45-0002 REV. A									
THIRD ANGLE PROJECTION											
TITLE		5P ZCASE HOLDER									
DRAWN		Du.C									
CHECKED		Du.C									
FORM NO.		CVP-FH45-0002 REV. A									
THIRD ANGLE PROJECTION											
TITLE		5P ZCASE HOLDER									
DRAWN		Du.C									
CHECKED		Du.C									
FORM NO.		CVP-FH45-0002 REV. A									
THIRD ANGLE PROJECTION											
TITLE		5P ZCASE HOLDER									
DRAWN		Du.C									
CHECKED		Du.C									
FORM NO.		CVP-FH45-0002 REV. A									
THIRD ANGLE PROJECTION											
TITLE		5P ZCASE HOLDER									
DRAWN		Du.C									
CHECKED		Du.C									
FORM NO.		CVP-FH45-0002 REV. A									
THIRD ANGLE PROJECTION											
TITLE		5P ZCASE HOLDER									
DRAWN		Du.C									
CHECKED		Du.C									
FORM NO.		CVP-FH45-0002 REV. A									
THIRD ANGLE PROJECTION											
TITLE		5P ZCASE HOLDER									
DRAWN		Du.C									
CHECKED		Du.C									
FORM NO.		CVP-FH45-0002 REV. A									
THIRD ANGLE PROJECTION											
TITLE		5P ZCASE HOLDER									
DRAWN		Du.C									
CHECKED		Du.C									
FORM NO.		CVP-FH45-0002 REV. A									
THIRD ANGLE PROJECTION											
TITLE		5P ZCASE HOLDER									
DRAWN		Du.C									
CHECKED		Du.C									
FORM NO.		CVP-FH45-0002 REV. A									
THIRD ANGLE PROJECTION											
TITLE		5P ZCASE HOLDER									
DRAWN		Du.C									
CHECKED		Du.C									
FORM NO.		CVP-FH45-0002 REV. A									
THIRD ANGLE PROJECTION											
TITLE		5P ZCASE HOLDER									
DRAWN		Du.C									
CHECKED		Du.C									
FORM NO.		CVP-FH45-0002 REV. A									
THIRD ANGLE PROJECTION											
TITLE		5P ZCASE HOLDER									
DRAWN		Du.C									
CHECKED		Du.C									
FORM NO.		CVP-FH45-0002 REV. A									
THIRD ANGLE PROJECTION											
TITLE		5P ZCASE HOLDER									
DRAWN		Du.C									
CHECKED		Du.C									
FORM NO.		CVP-FH45-0002 REV. A									
THIRD ANGLE PROJECTION											
TITLE		5P ZCASE HOLDER									
DRAWN		Du.C									
CHECKED		Du.C									
FORM NO.		CVP-FH45-0002 REV. A									
THIRD ANGLE PROJECTION											
TITLE		5P ZCASE HOLDER									
DRAWN		Du.C									
CHECKED		Du.C									
FORM NO.		CVP-FH45-0002 REV. A									
THIRD ANGLE PROJECTION											
TITLE		5P ZCASE HOLDER									
DRAWN		Du.C									
CHECKED		Du.C									
FORM NO.		CVP-FH45-0002 REV. A									
THIRD ANGLE PROJECTION											
TITLE		5P ZCASE HOLDER									
DRAWN		Du.C									
CHECKED		Du.C									
FORM NO.		CVP-FH45-0002 REV. A									
THIRD ANGLE PROJECTION											
TITLE		5P ZCASE HOLDER									
DRAWN		Du.C									
CHECKED		Du.C									
FORM NO.		CVP-FH45-0002 REV. A									
THIRD ANGLE PROJECTION											
TITLE		5P ZCASE HOLDER									
DRAWN		Du.C									
CHECKED		Du.C									
FORM NO.											