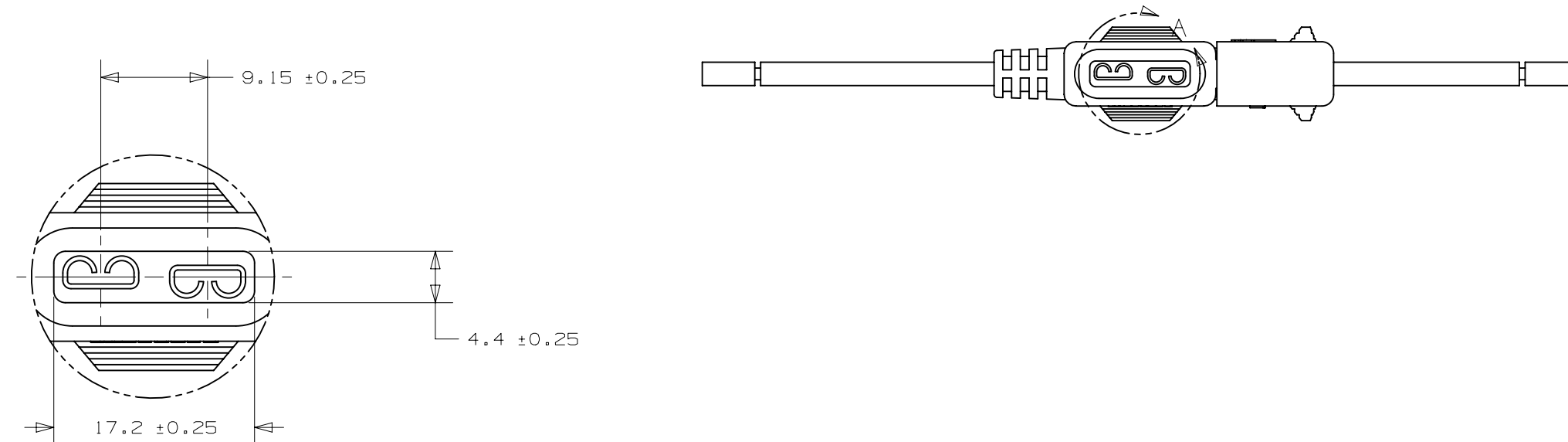
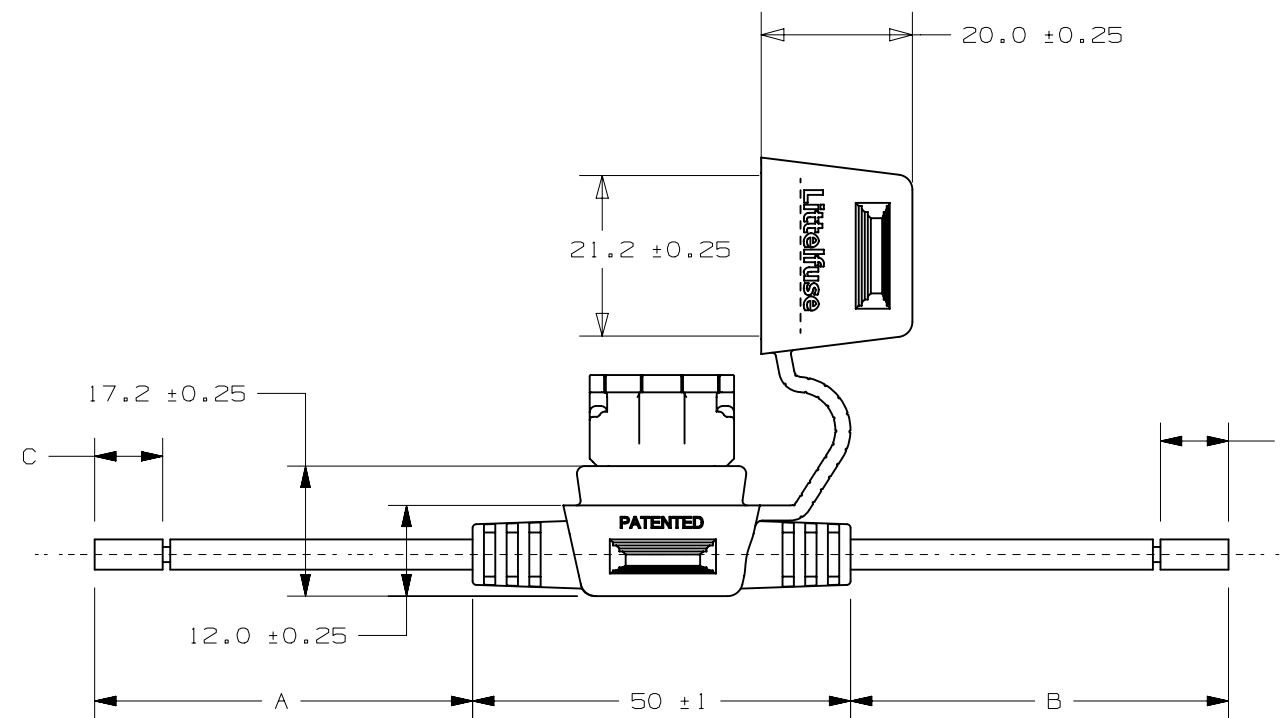


PART NUMBER	"A"	"B"	"C"	"D"	LEAD "A" COLOR	LEAD "B" COLOR	WIRE SIZE
FHAC0001ZXJ	89.5±5 (3.524)	89.5±5 (3.524)	6.35±2 (0.25)	6.35±2 (0.25)	BLACK	BLACK	16 AWG
FHAC0001ZXJA	89.3±5 (3.516)	89.3±5 (3.516)	6.35±2 (0.25)	6.35±2 (0.25)	RED	RED	16 AWG
FHAC0001ZXJB	287.7±5 (11.325)	287.7±5 (11.325)	6.35±2 (0.25)	6.35±2 (0.25)	BLACK	BLACK	16 AWG
FHAC0001ZXJC	89.3±5 (3.516)	89.3±5 (3.516)	6.35±2 (0.25)	6.35±2 (0.25)	BLUE	BLUE	16 AWG
FHAC0001ZXJD	237.7±5 (9.358)	237.7±5 (9.358)	6.35±2 (0.25)	6.35±2 (0.25)	RED	RED	16 AWG
FHAC0001ZXJE	241.7±5 (9.516)	241.7±5 (9.516)	6.35±2 (0.25)	6.35±2 (0.25)	BLACK	BLACK	16 AWG
FHAC0001ZXJF	101.7±5 (4.240)	917.7±5 (36.130)	6.35±2 (0.25)	6.35±2 (0.25)	RED	RED	16 AWG
FHAC0001ZXJG	155.0±5 (6.102)	155.0±5 (6.102)	18.0±2 (0.709)	18.0±2 (0.709)	BLACK	BLACK	16 AWG
FHAC0001ZXJH	89.5±5 (3.524)	89.5±5 (3.524)	6.35±2 (0.25)	6.35±2 (0.25)	YELLOW	YELLOW	16 AWG
FHAC0001ZXJJ **	1325±20 (52.165)	125±5 (4.921)	-	-	RED	RED	FLR2X-B 0.5MM2
FHAC0001ZXJK	200.0±5 (7.874)	200.0±5 (7.874)	6.35±2 (0.25)	6.35±2 (0.25)	BLACK	BLACK	16 AWG
FHAC0001ZXJL	450.0±5 (17.716)	200.0±5 (7.874)	-	-	RED	RED	FLRY-A 1.5MM2
FHAC0001ZXJM	89.5±5 (3.524)	89.5±5 (3.524)	12.7±2 (0.50)	12.7±2 (0.50)	BLACK	BLACK	16 AWG

** NOTE: THIS MODEL MUST BE SHIPPED WITH 3A ATOF FUSE



DETAIL A
SCALE 2:1



- NOTES:
- HOLDER MATERIAL: BLACK TPV
 - CONTACTS: COPPER ALLOY, TIN-PLATED
 - WIRE: STRANDED COPPER, GXL/FLR2X-B (125°C RATED), FLRY-A (105°C RATED) (SEE CHART FOR WIRE SIZE)
 - CRIMP: MUST MEET SAE/USCAR 21 STANDARD
 - RATING: MAX. 20A, 32Vdc (10A FOR FHAC0001ZXJJ)
 - MAX TEMPERATURE 105°C
 - FUSEHOLDER SHOULD NOT BE PLACED UNDER TENSION IN FINAL APPLICATION.

LTR	DATE	REVISION	CHK	APD
A	06/20/07	63273 - RELEASED	DHM	
B	10/05/07	000175ER-RELEASED THRU FHAC0001ZXJF	DHM	
C	11/29/07	000227ER-RELEASED	DHM	
D	05/13/13	508317ERA-RELEASE	FYUE	
E	01/29/14	509986ERA-RELEASE	FYUE	
F	05/20/14	510513ECA-CHANGE WIRE OF	FYUE	
G	04/30/15	511837ECA-REMOVE MODEL NAME OF	FYUE	
H	07/Sep/15	514861GCA-RELEASE	FYUE	
J	05/Jan/17	517047GCC-RELEASE	FYUE	
K	02/Mar/17	517170ECC-CHANGE SPEC OF	FYUE	
L	04/Jul/19	520979GCC-RELEASE	FYUE	

UNLESS OTHERWISE SPECIFIED, DIMENSIONS ARE IN MILLIMETERS. DIMENSIONS IN BRACKETS [] ARE INCHES			
UNLESS OTHERWISE SPECIFIED, DIMENSIONS DO NOT INCLUDE PLATING.			
⊙	DENOTES CRITICAL CHARACTERISTICS.		
CPK	DENOTES CPK DIMENSIONS, -MINIMUM CPK VALUE		
ST	DENOTES A CHARACTERISTIC THAT PROVIDES AN INDICATION OF PROCESS PERFORMANCE. PROCEDURE FOR MEASUREMENT AND TRACKING TO BE DEFINED IN LITTELFUSE INSPECTION INSTRUCTIONS		
CP	DENOTES CP DIMENSIONS, -MINIMUM CP VALUE MUST BE WITHIN THE DIMENSIONAL LIMITATIONS SHOWN ON DRAWING AND INITIALLY LOCATED TO ALLOW FOR MAXIMUM TOOL LIFE		
COPIES TO	MATL SPEC SEE NOTES		
1 9 18	FINISH SEE NOTES		
2 10 19	DRW	DATE	SCALE
3 12 20	DHM	06/20/07	1:1
4 13 21	CHK	DATE	SUPER DR
5 14 23	APPD	DATE	FINSH GOOD WT
6 15 33			GRAMS/PIECE
7 16 43			
8 17 53			
TOLERANCE UNLESS OTHERWISE SPECIFIED			
ONE PLACE DEC +/- .3		THREE PLACE DEC +/- .100	
TWO PLACE DEC +/- .25		ANGULAR +/- 1°	
3RD ANGLE PROJECTION	TITLE	ATO IN-LINE FUSEHOLDER	
Littelfuse	REVISION	DRWG. NO.	OUTLINE
DES PLAINES, ILLINOIS 60016	L	01-FHAC0001ZXJ	

METRIC
ASSEMBLY

CAD GENERATED DRAWING - NO PENCIL CHANGES ALLOWED