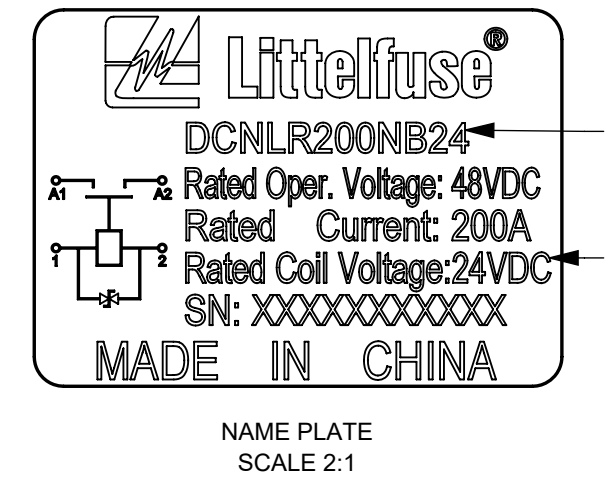
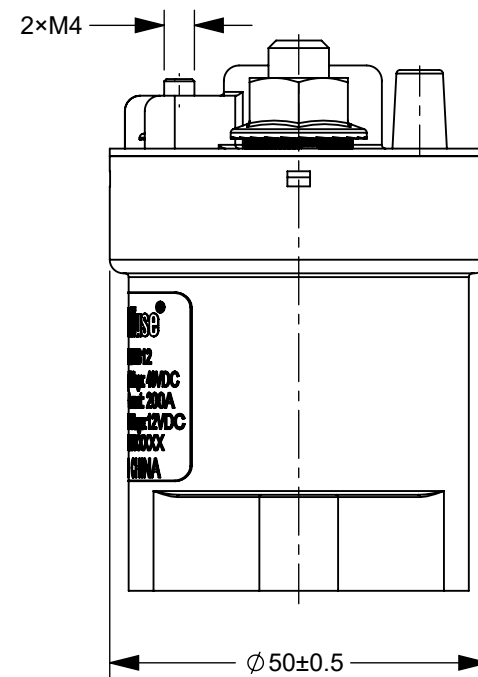
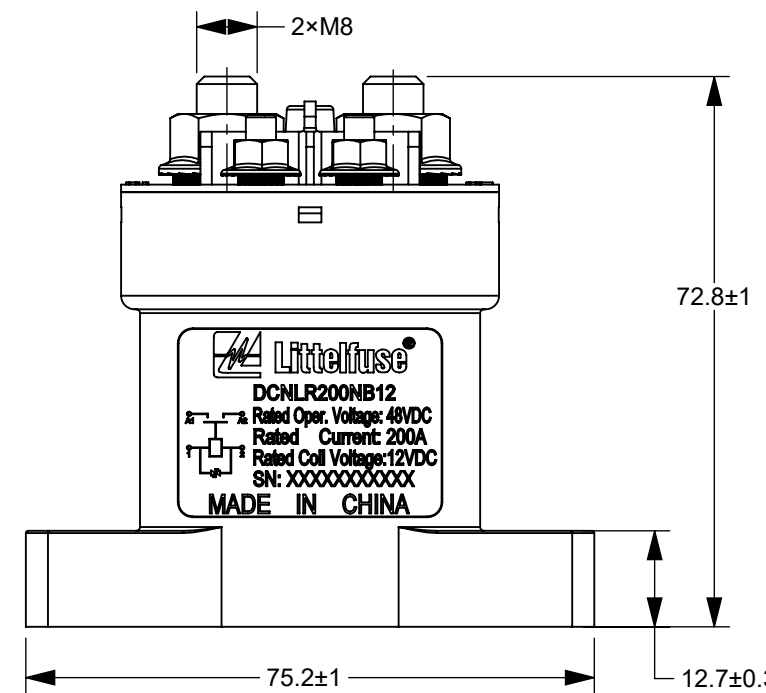
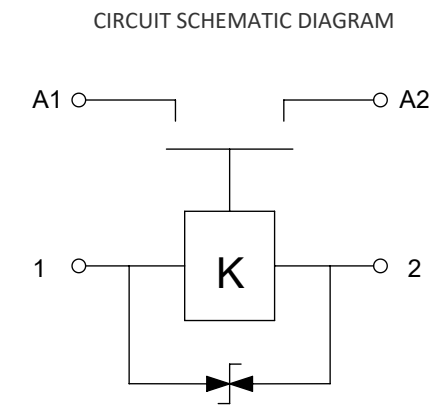
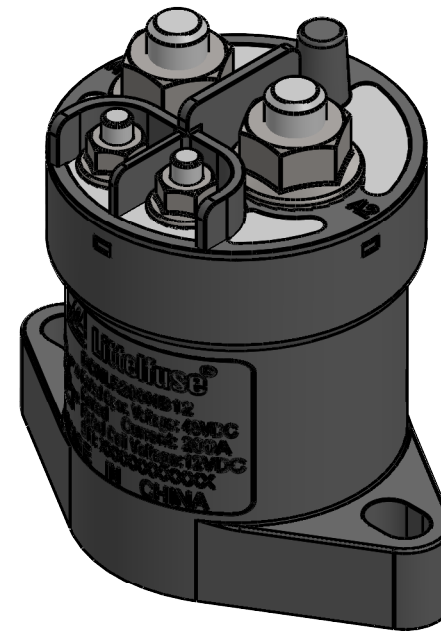
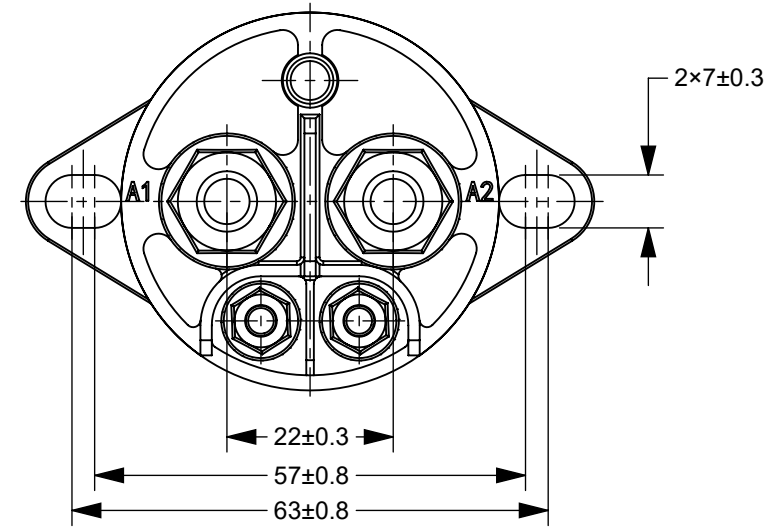


REVISIONS				
ZONE	REV.	DESCRIPTION	DATE	APPROVED
	A	GCF#524714 INITIAL RELEASE	JAN./10/2022	D. ZHANG



PART NUMBER		DCNLR200NB12	DCNLR200NB24	DCNLR200NB48	DCNLR200NB60
HOLD POWER		9.5W			
MAXIMUM CONTACT VOLTAGE		60V DC			
RETARD CONTACT VOLTAGE		48V DC			
RATED CONTACT CURRENT (@25°C)		200A			
RATED COIL VOLTAGE		12V DC	24V DC	48V DC	60V DC
OPERATING VOLTAGE (COLD STATE @ 25°C)	PICKUP	9V MAX	18V MAX	36V MAX	45V MAX
	RELEASE	1V MIN	2V MIN	4V MIN	5V MIN
OPERATING TIME (COLD STATE @ 25°C)	OPERATE TIME	MAX 25ms			
	RELEASE TIME	MAX 12ms			
	BOUNCE TIME	MAX 7ms			
CONTACT VOLTAGE DROP		≤80mV @ 200A			
INSULATION RESISTANCE@ 500V (INITIAL)		≥100MΩ			
DIELECTRIC STRENGTH (LEAKAGE CURRENT≤1mA)		2200V AC, 1 MINUTE			
ELECTRIC LIFE (CYCLES)		30, 000 CYCLES (200A @ 48V DC)			
		50, 000 CYCLES (200A @ 24V DC)			
MECHANICAL LIFE (NO LOAD, CYCLES)		200,000			
WORKING DUTY		CONTINUOUS			

NO.	PN	NAME PLATE		REMARK
		"A"	"B"	
1	DCNLR200NB12	DCNLR200NB12	Rated Coil Voltage:12VDC	
2	DCNLR200NB24	DCNLR200NB24	Rated Coil Voltage:24VDC	
3	DCNLR200NB48	DCNLR200NB48	Rated Coil Voltage:48VDC	
4	DCNLR200NB60	DCNLR200NB60	Rated Coil Voltage:60VDC	

- NOTES:
- ALL DIMENSIONS ARE REFERENCE ONLY.
 - PRODUCT TYPE: SPST-NO.
 - SEE TABLE 2 FOR CONFIGURATION OF NAME PLATE, RATED COIL VOLTAGE AND PNs.
 - MATERIALS AND FINISH:
 - HOUSING : THERMOPLASTIC PLASTICS.
 - CONTACTS: COPPER ALLOY.
 - CONTACT STUDS: COPPER ALLOY.
 - COIL STUDS: COPPER ALLOY.
 - MAIN CONTACT M8 STUD, TORQUE: 8~12N·m, COIL CONTACT M4 STUD, TORQUE: 1.0~1.6N·m.
 - MOUNTING: M5 BOLT, RECOMMENDED TORQUE: 4~6N·m.
 - CONTACTOR PARAMETERS ARE SHOWN IN TABLE 1.

DIMENSIONS ARE SHOWN IN MILLIMETERS. DIMENSIONS AND TOLERANCES ARE DEFINED ACCORDING TO ANSIA/SME Y14.5-1994.

PER CHNFPD20-008 PROCEDURE

- FIT/ FUNCTION CRITICAL CHARACTERISTICS
- <S> SAFETY/ COMPLIANCE CRITICAL CHARACTERISTICS SYMBOL
- CPK DENOTES CPK DIMENSIONS MINIMUM CPK VALUE
- (ST) DENOTES A CHARACTERISTIC THAT PROVIDES AN INDICATION OF PROCESS PERFORMANCE PROCEDURE FOR MEASUREMENT AND TRACKING TO BE DEFINED IN LITTELFUSE INSPECTION INSTRUCTIONS
- CP DENOTES CP DIMENSIONS. MINIMUM CP VALUE MUST BE WITHIN THE DIMENSIONAL LIMITATIONS SHOWN ON DRAWING AND INITIALLY LOCATED TO ALLOW FOR MAXIMUM TOOL LIFE

DRAWN	JY. SHI	DATE	May/19/2021
CHECKED	J. LI		May/26/2021

FORM NO. CVP-PE40-0005 REV B
THIRD ANGLE PROJECTION

Expertise Applied | Answers Delivered

TITLE: DCNLR 200A 48V NP CONTACTOR

SIZE: C
DWG. NO.: OL-DCNLR200NB,CHT
SCALE: 1:1

DO NOT SCALE DRAWING