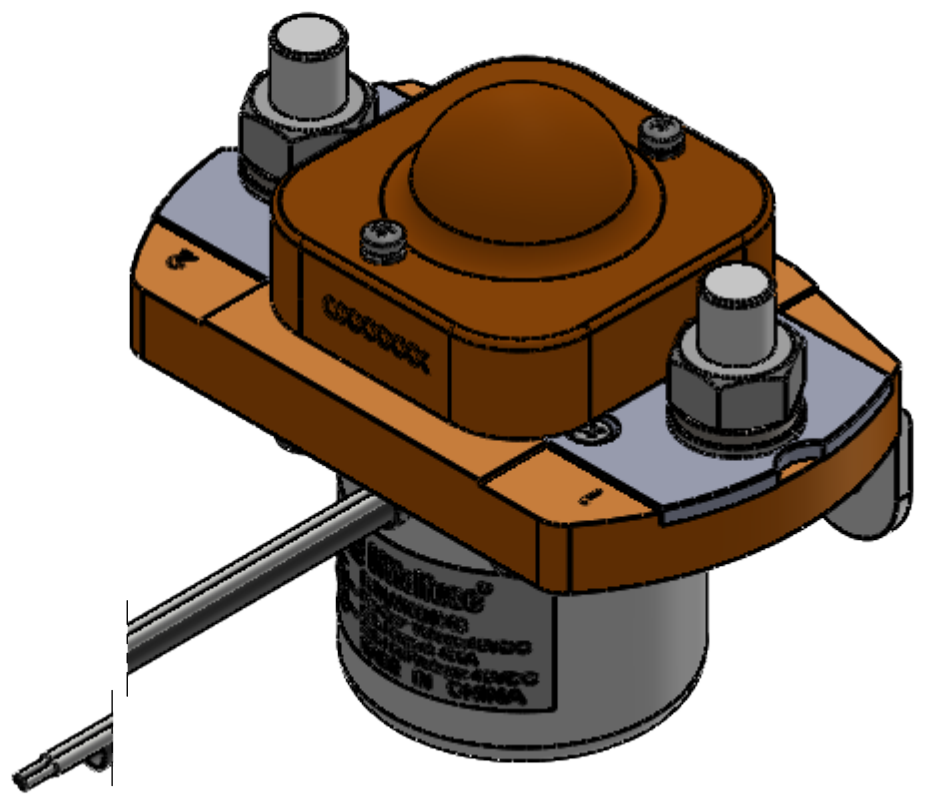
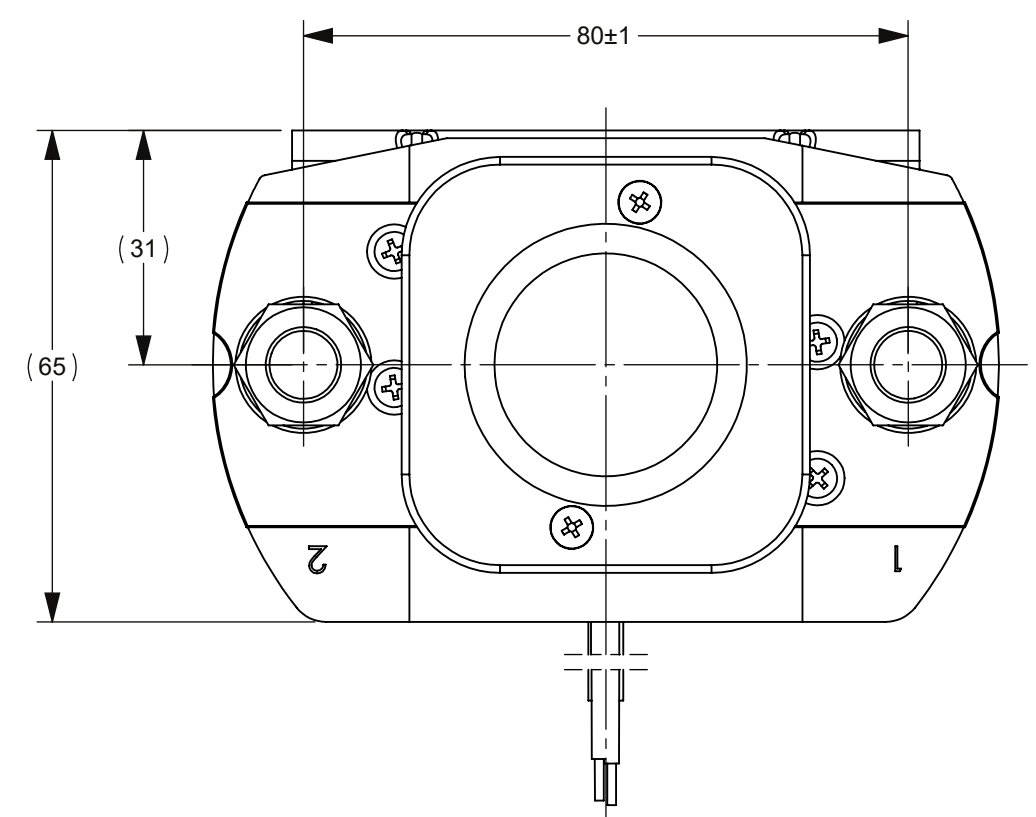
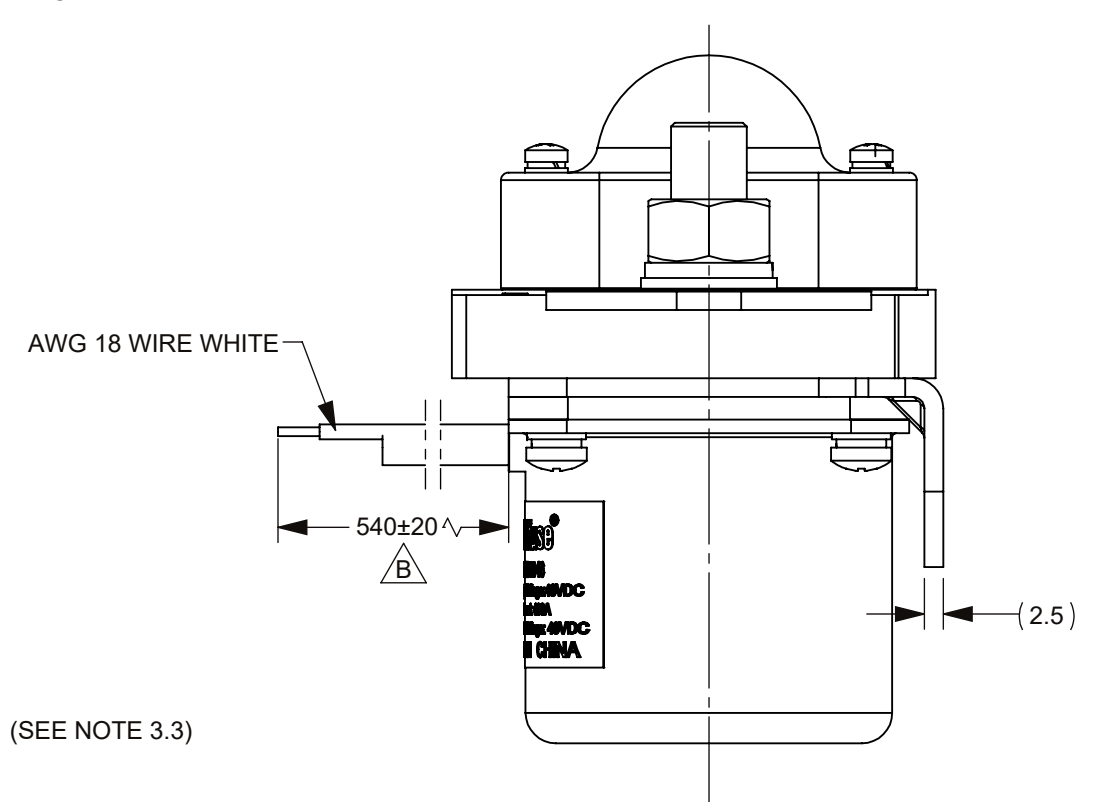
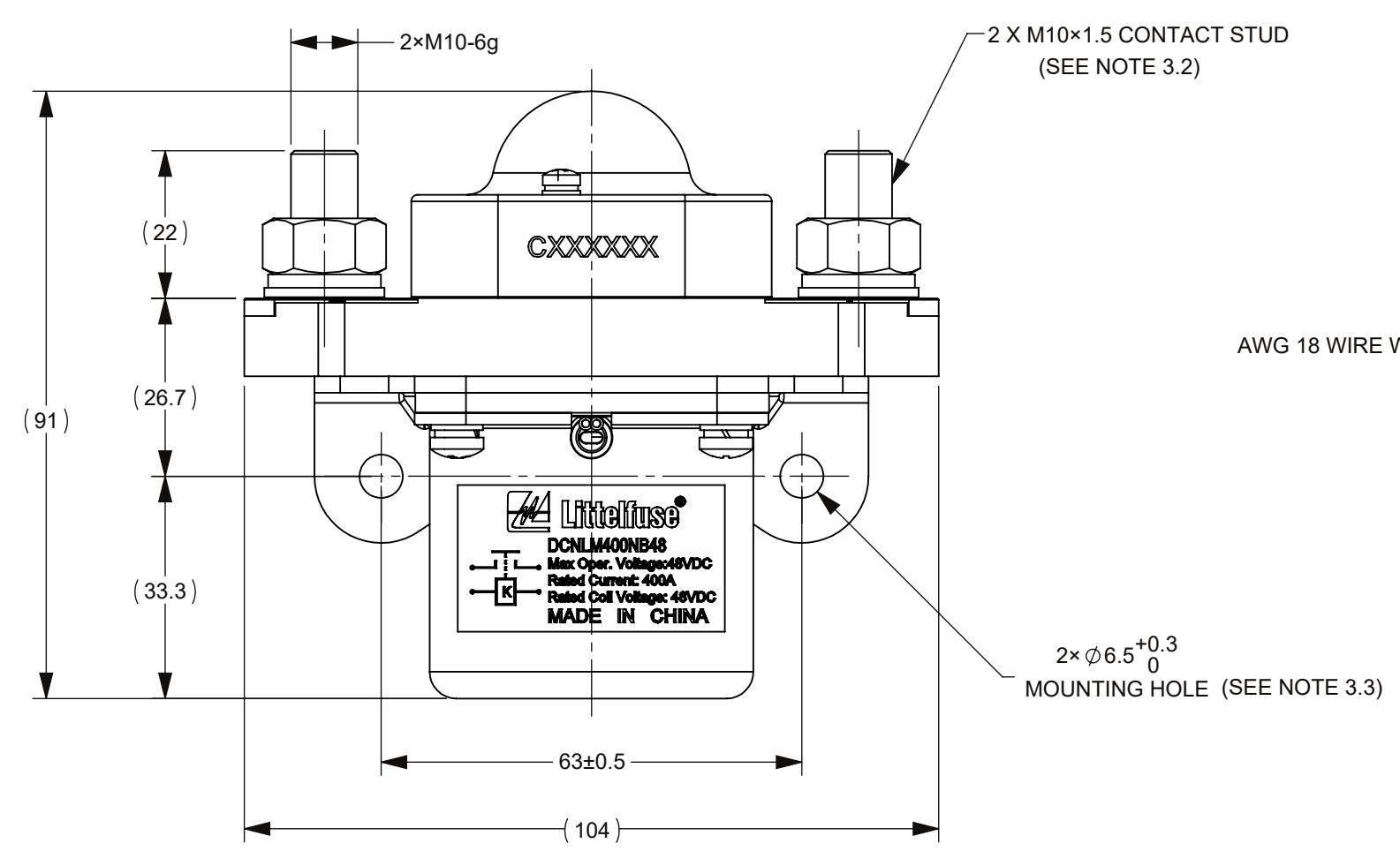
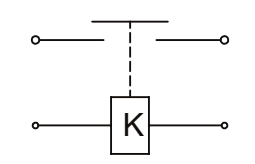


THIS DRAWING AND THE INFORMATION CONTAINED WITHIN IT ARE CONFIDENTIAL AND MAY NOT BE COPIED OR DISCLOSED WITHOUT THE WRITTEN PERMISSION OF LITTELFUSE.

REVISIONS				
ZONE	REV.	DESCRIPTION	DATE	APPROVED
	A	GCF#524055 INITIAL RELEASE	Jun./20/2021	D. ZHANG
4C;1B	B	ECR#524964 540±20 WAS 700(+10,0); CORRECT TYPO: 50 WAS 2	4/1/2022	D. ZHANG



CIRCUIT SCHEMATIC DIAGRAM



TECHNICAL PARAMETERS 1	
ITEM	PARAMETER
RATED COIL VOLTAGE	48V DC
HOLD POWER	MAX15W
OPERATING VOLTAGE IN COLD STATE (15°C ~ 25°C)	PICKUP: 33.6V DC MAX RELEASE: 4V DC MIN
OPERATE TIME	MAX 40ms
RELEASE TIME	MAX 20ms
BOUNCE TIME	MAX 5ms
RATED CONTACT VOLTAGE	48V DC
MAXIMUM CONTACT VOLTAGE	60V DC
RATED CONTACT CURRENT	400A
CONTACT VOLTAGE DROP	≤50mV@100 A
LIMIT BREAKING ABILITY	4le/5ms, 1CYCLES
DIELECTRIC STRENGTH	1000V AC, 50Hz, 1min., LEAKAGE CURRENT ≤1 mA
INSULATION RESISTANCE	≥50MΩ@500VDC
ELECTRICAL LIFE	6000 CYCLES
MECHANICAL LIFE	100,000 CYCLES
WORKING DUTY	CONTINUOUS

- CONTACTOR NOTES:**
- ALL SIZES ARE FOR REFERENCE ONLY.
 - MATERIAL:
 - 2.1 BASE: THERMOSETTING PLASTIC, UL94V-0.
 - 2.2 CONTACTS: SILVER ALLOY.
 - PRODUCT TECHNICAL PARAMETERS: SEE TABLE 1.
 - 3.1 CONTACT ARRANGEMENT: SPST-NO.
 - 3.2 CONNECTION STUD: M10 STUD, RECOMMENDED TORQUE : 15 N•m ~ 18 N•m.
 - 3.3 MOUNTING: M6 BOLT, RECOMMENDED TORQUE 6N•m ~ 8N•m.

PER CHINFPD00-0008 PROCEDURE

- FIT/ FUNCTION CRITICAL CHARACTERISTICS
- <S> SAFETY/ COMPLIANCE CRITICAL CHARACTERISTICS SYMBOL
- CPK DENOTES CPK DIMENSIONS MINIMUM CPK VALUE
- (ST) DENOTES A CHARACTERISTIC THAT PROVIDES AN INDICATION OF PROCESS PERFORMANCE PROCEDURE FOR MEASUREMENT AND TRACKING TO BE DEFINED IN LITTELFUSE INSPECTION INSTRUCTIONS
- CP DENOTES CP DIMENSIONS. MINIMUM CP VALUE MUST BE WITHIN THE DIMENSIONAL LIMITATIONS SHOWN ON DRAWING AND INITIALLY LOCATED TO ALLOW FOR MAXIMUM TOOL LIFE

NAME	DATE	<p>Expertise Applied Answers Delivered</p>
DRAWN: M.J. DAI	Jun./20/2021	
CHECKED: J. LI	Jun./25/2021	
FORM NO. CVP-PE40-0005 REV B	TITLE: DCNL 400A 48V 48V COIL CONTACTOR	
THIRD ANGLE PROJECTION	SIZE: C	DWG. NO. OUTLINE: OL-DCNL400NB48
DO NOT SCALE DRAWING	SCALE: 1:1	REV. B SHEET 1 OF 1