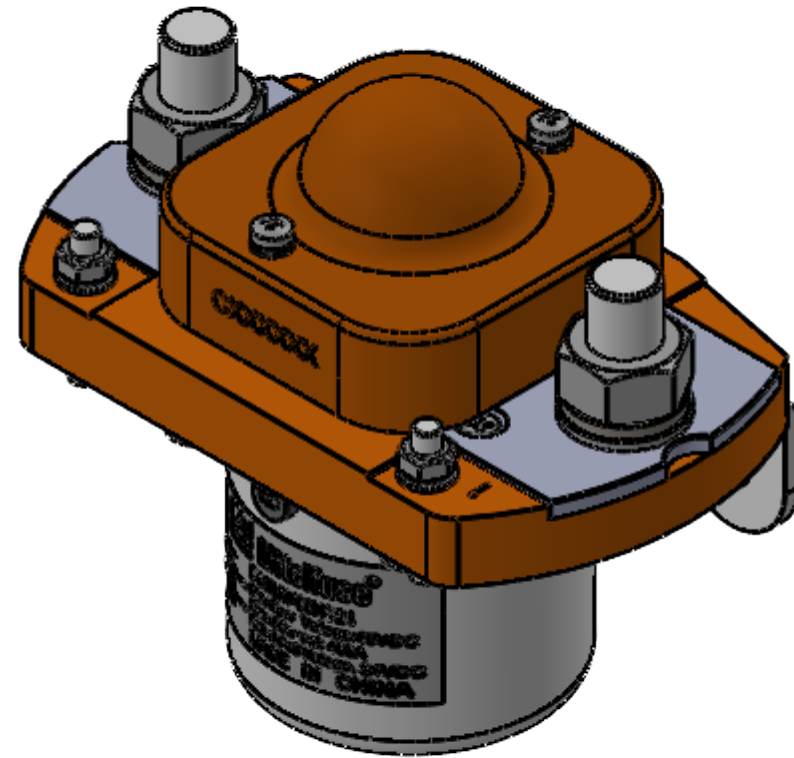
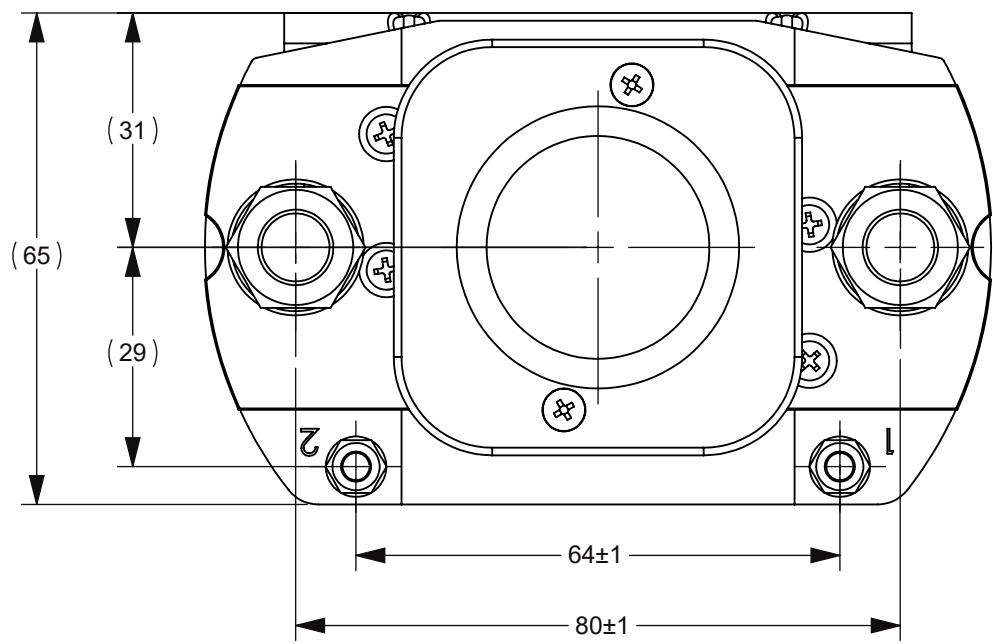
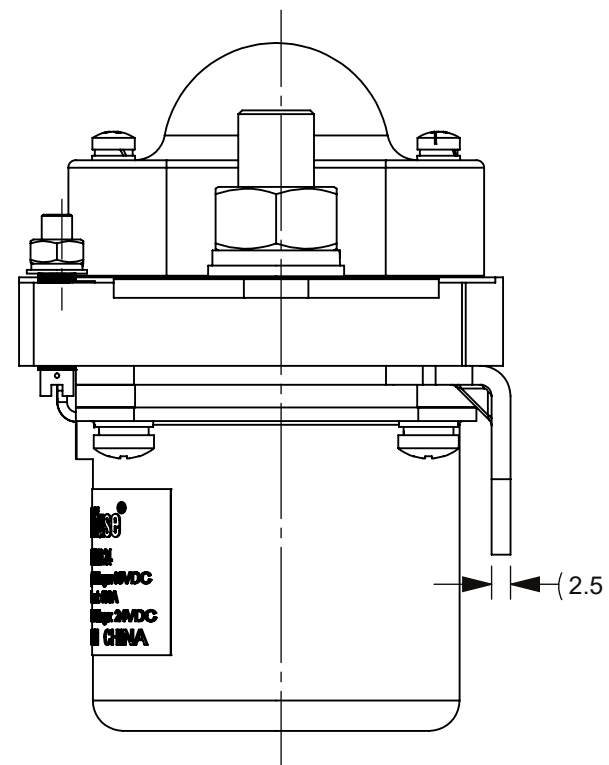
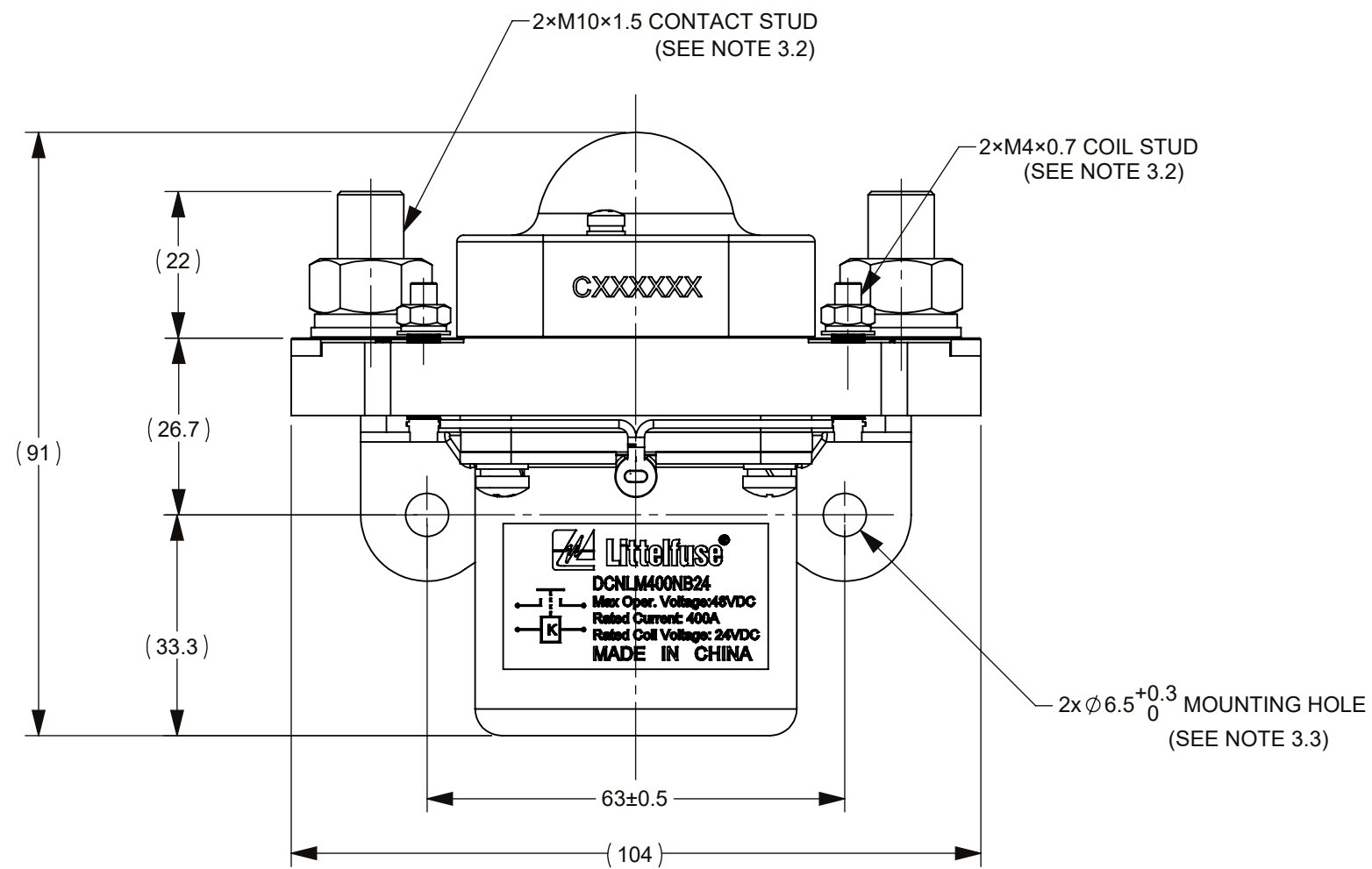
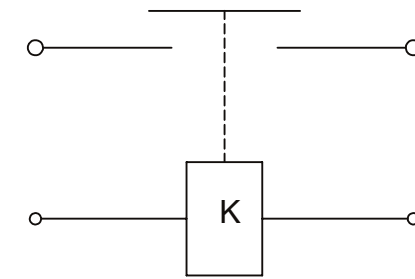


THIS DRAWING AND THE INFORMATION CONTAINED WITHIN IT ARE CONFIDENTIAL AND MAY NOT BE COPIED OR DISCLOSED WITHOUT THE WRITTEN PERMISSION OF LITTELFUSE.

REVISIONS				
ZONE	REV.	DESCRIPTION	DATE	APPROVED
	A	GCF#523779 INITIAL RELEASE	Jun./20/2021	D. ZHANG
1B	B	ECR#524964 CORRECT TYPO:50MΩ WAS 2MΩ	4/1/2022	D. ZHANG



CIRCUIT SCHEMATIC DIAGRAM



TECHNICAL PARAMETERS 1	
ITEM	PARAMETER
RATED COIL VOLTAGE	24V DC
HOLD POWER	MAX15W
OPERATING VOLTAGE IN COLD STATE AT (20±5)°C	PICKUP: 16.8V DC MAX
	RELEASE: 2V DC MIN
OPERATE TIME	MAX 40ms
RELEASE TIME	MAX 20ms
BOUNCE TIME	MAX 5ms
RATED CONTACT VOLTAGE	48V DC
MAXIMUM CONTACT VOLTAGE	60V DC
RATED CONTACT CURRENT	400A
CONTACT VOLTAGE DROP	≤50mV@100 A
LIMIT BREAKING ABILITY	4Ie/5ms, 1CYCLES
DIELECTRIC STRENGTH	1000V AC, 50Hz, 1min, LEAKAGE CURRENT ≤1 mA
INSULATION RESISTANCE	≥50MΩ@500VDC
ELECTRIC LIFE	6000 CYCLES
MECHANICAL LIFE	100,000 CYCLES
WORKING DUTY	CONTINUOUS

NOTES:

- ALL SIZES ARE FOR REFERENCE ONLY.
- MATERIALS AND FINISHED PRODUCTS:
  - BASE: THERMOSETTING PLASTIC, UL94V-0.
  - CONTACTS: SILVER ALLOY.
  - COIL STUD: COPPER ALLY, SILVER PLATED.
- PRODUCT TECHNICAL PARAMETERS: SEE TABLE 1.
  - CONTACT ARRANGEMENT: SPST-NO.
  - CONNECTION TERMINAL: MAIN CONTACT TERMINAL M10 STUD; COIL TERMINAL M4 STUD; M10 NUT MOUNTING TORQUE : 15 N•m ~ 18 N•m; M4 NUT MOUNTING TORQUE: 1.7N•m ~ 2.5N•m.
  - MOUNTING BOLT M6. TORQUE 6N•m-8N•m.

PER CHNFPD00-008 PROCEDURE

●	FTI/ FUNCTION CRITICAL CHARACTERISTICS
<S>	SAFETY/ COMPLIANCE CRITICAL CHARACTERISTICS SYMBOL
CPK	DENOTES CPK DIMENSIONS MINIMUM CPK VALUE
(ST)	DENOTES A CHARACTERISTIC THAT PROVIDES AN INDICATION OF PROCESS PERFORMANCE PROCEDURE FOR MEASUREMENT AND TRACKING TO BE DEFINED IN LITTELFUSE INSPECTION INSTRUCTIONS
CP	DENOTES CP DIMENSIONS. MINIMUM CP VALUE MUST BE WITHIN THE DIMENSIONAL LIMITATIONS SHOWN ON DRAWING AND INITIALLY LOCATED TO ALLOW FOR MAXIMUM TOOL LIFE

DIMENSIONS ARE SHOWN IN MILLIMETERS. DIMENSIONS AND TOLERANCES ARE DEFINED ACCORDING TO ANSI/ASME Y14.5-1994.

NAME	DATE	<p><b>Expertise Applied   Answers Delivered</b></p>
DRAWN	MJ. DAI Jun./20/2021	
CHECKED	J. LI Jun./25/2021	
TITLE	DCNL 400A 48V 24V COIL CONTACTOR	
FORM NO.	CVP-PE40-0005 REV B	SIZE C DWG. NO. OL-DCNL400NB24 REV. B THIRD ANGLE PROJECTION
DO NOT SCALE DRAWING	SCALE 1:1	

SHEET 1 OF 1