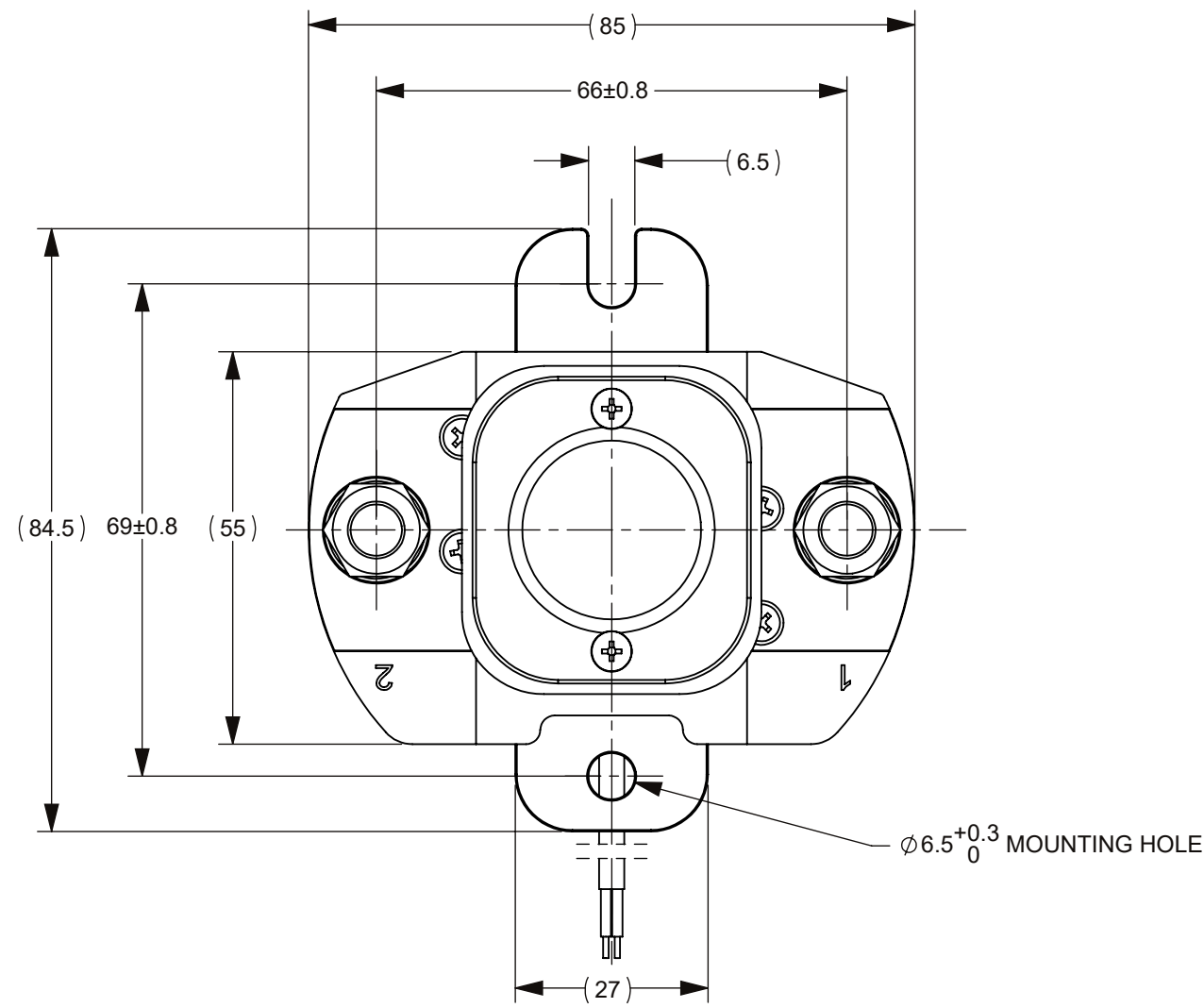
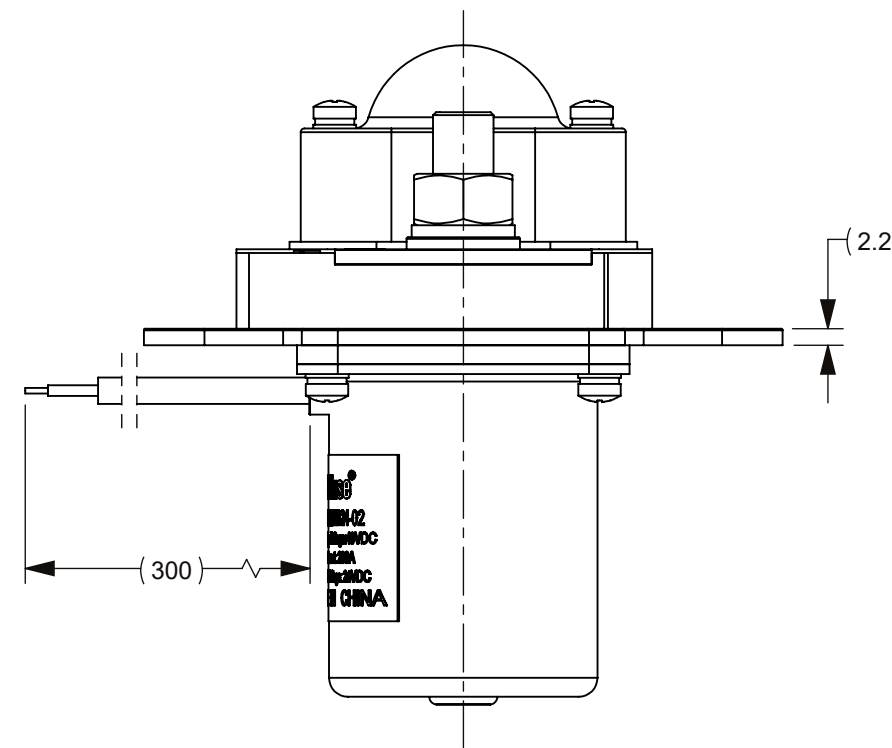
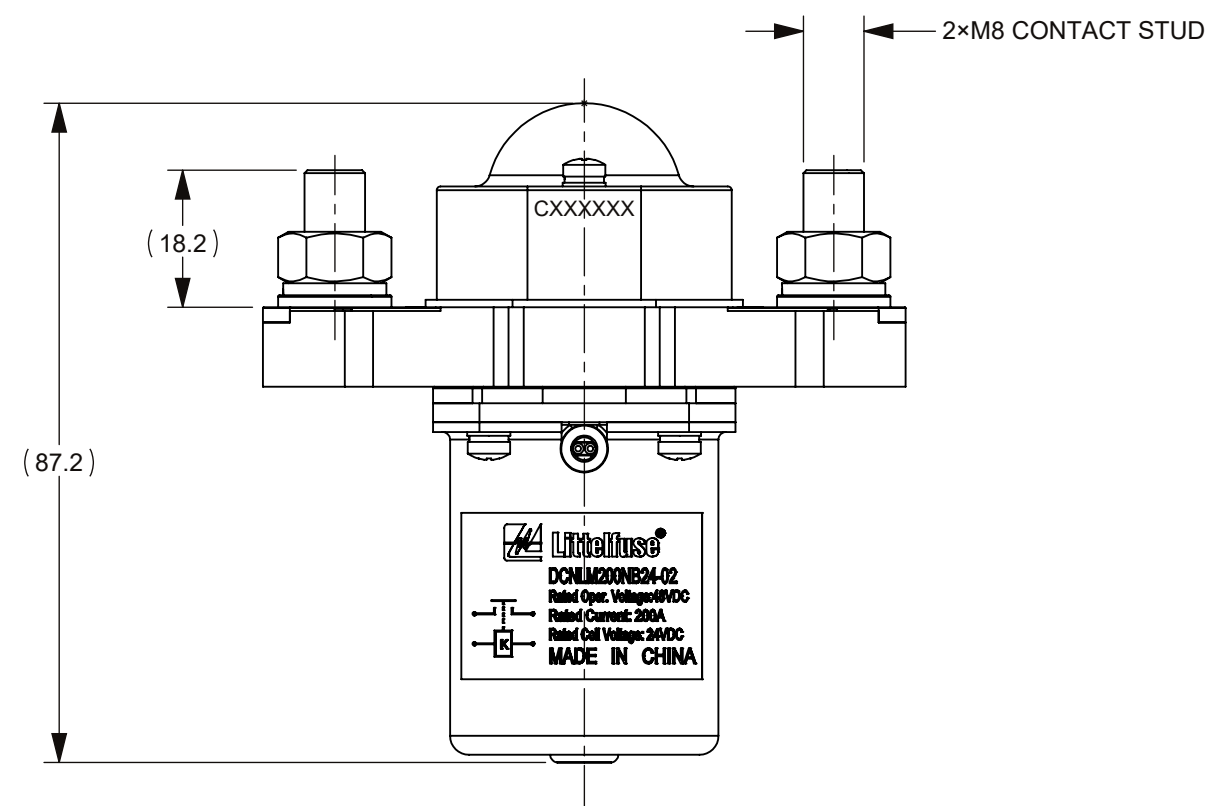
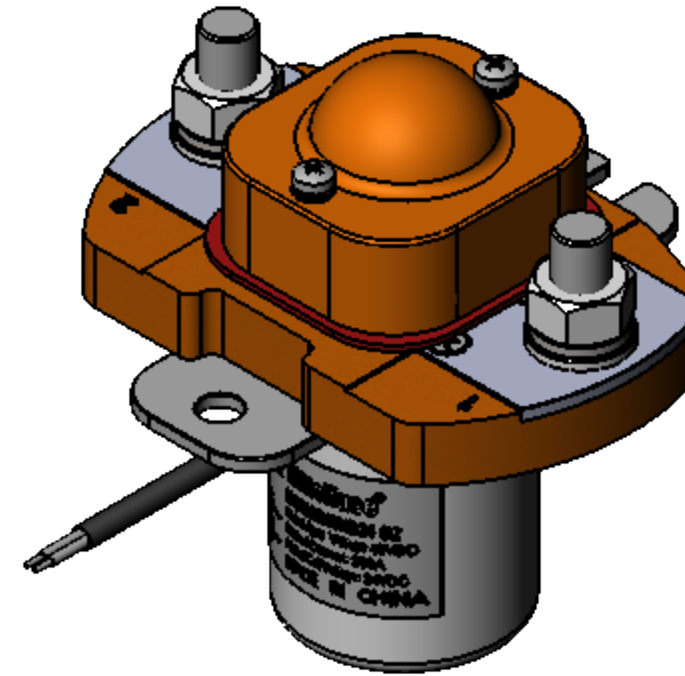
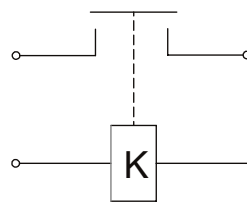


| REVISIONS | | | | |
|-----------|------|----------------------------|--------------|----------|
| ZONE | REV. | DESCRIPTION | DATE | APPROVED |
| | A | GCF#524592 INITIAL RELEASE | SEP./25/2021 | D. ZHANG |



CIRCUIT SCHEMATIC DIAGRAM



NOTES:

- ALL SIZES ARE FOR REFERENCE ONLY.
- MATERIALS AND FINISHING:
 - 2.1 BASE: THERMOSETTING PLASTIC, UL94V-0.
 - 2.2 CONTACTS: SILVER ALLOY.
- PRODUCT TECHNICAL PARAMETERS: SEE TABLE 1.
- CONTACT ARRANGEMENT: SPST-NO.
- CONNECTION STUD: M8 STUD, RECOMMENDED TORQUE 9 N·m ~ 11 N·m.
- MOUNTING: M6 BOLT, RECOMMENDED TORQUE 6 N·m ~ 8 N·m.

| TABLE 1: TECHNICAL PARAMETERS | |
|---|--|
| ITEM | PARAMETER |
| RATED COIL VOLTAGE | 24V DC |
| HOLD POWER | MAX 10W |
| OPERATING VOLTAGE IN COLD STATE AT (20±5)°C | PICKUP: MAX 16.8V DC |
| | RELEASE: MIN 2V DC |
| OPERATE TIME | MAX 50ms |
| RELEASE TIME | MAX 20ms |
| BOUNCE TIME | MAX 7ms |
| RATED CONTACT VOLTAGE | 48V DC |
| MAXIMUM CONTACT VOLTAGE | 60V DC |
| RATED CONTACT CURRENT | 200A |
| LIMIT BREAKING ABILITY | 4le/5ms, 1CYCLES |
| CONTACT VOLTAGE DROP | ≤50mV@100 A |
| DIELECTRIC STRENGTH | 1000V AC, 50Hz, 1min., LEAKAGE CURRENT ≤1 mA |
| INSULATION RESISTANCE | ≥50MΩ@500VDC |
| ELECTRIC LIFE | 6000 CYCLES |
| MECHANICAL LIFE | 100,000 CYCLES |
| WORKING DUTY | CONTINUOUS |

DIMENSIONS ARE SHOWN IN MILLIMETERS. DIMENSIONS AND TOLERANCES ARE DEFINED ACCORDING TO ANSI/ASME Y14.5-1994.

| | |
|------|---|
| ● | FTI/ FUNCTION CRITICAL CHARACTERISTICS |
| <S> | SAFETY/ COMPLIANCE CRITICAL CHARACTERISTICS SYMBOL |
| CPK | DENOTES CPK DIMENSIONS MINIMUM CPK VALUE |
| (ST) | DENOTES A CHARACTERISTIC THAT PROVIDES AN INDICATION OF PROCESS PERFORMANCE. PROCEDURE FOR MEASUREMENT AND TRACKING TO BE DEFINED IN LITTELFUSE INSPECTION INSTRUCTIONS |
| CP | DENOTES CP DIMENSIONS. MINIMUM CP VALUE MUST BE WITHIN THE DIMENSIONAL LIMITATIONS SHOWN ON DRAWING AND INITIALLY LOCATED TO ALLOW FOR MAXIMUM TOOL LIFE |

| | | |
|------------------------------|--------------------|---|
| NAME | DATE | <p>Expertise Applied Answers Delivered</p> |
| DRAWN | SEP./25/2021 | |
| CHECKED | SEP./30/2021 | |
| | | |
| FORM NO. CVP-PE40-0005 REV B | | TITLE |
| THIRD ANGLE PROJECTION | | DCNL 200A 48V CONTACTOR |
| SIZE | DWG. NO. | REV. |
| C | OL-DCNLM200NB24-02 | A |
| DO NOT SCALE DRAWING | SCALE 1:1 | SHEET 1 OF 1 |