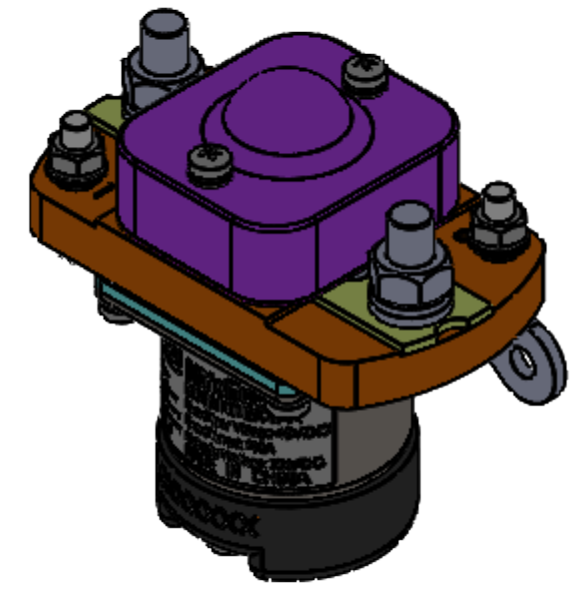
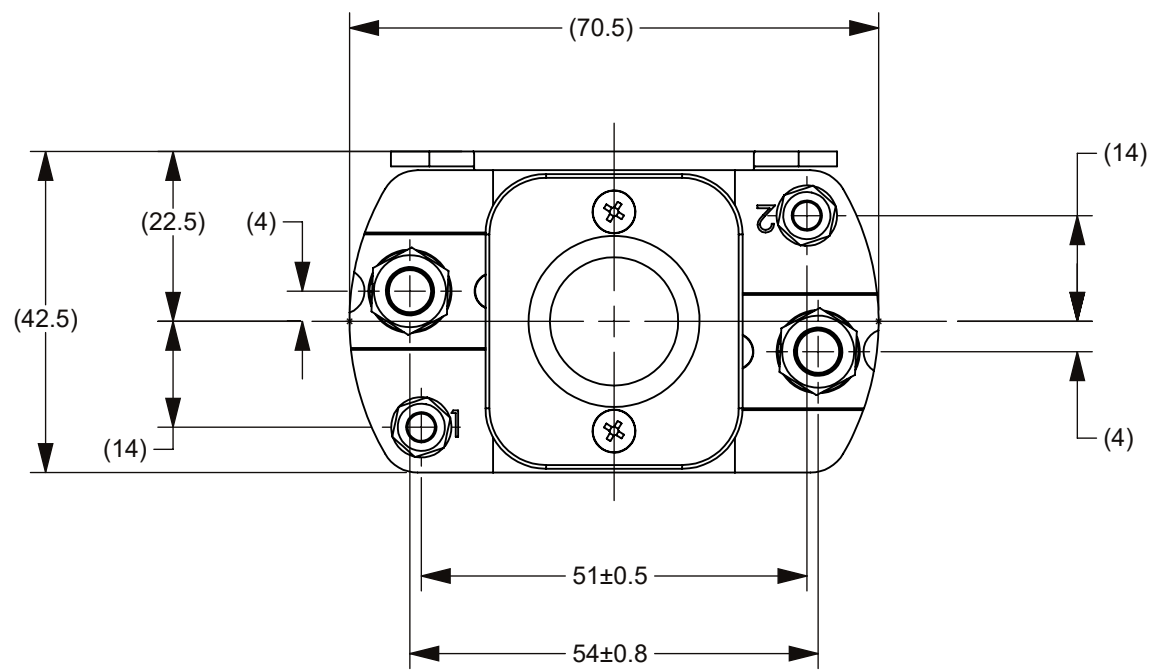


REVISIONS				
ZONE	REV.	DESCRIPTION	DATE	APPROVED
	A	GCF#524673 INITIAL RELEASE	OCT.27/2021	D. ZHANG



CIRCUIT SCHEMATIC DIAGRAM

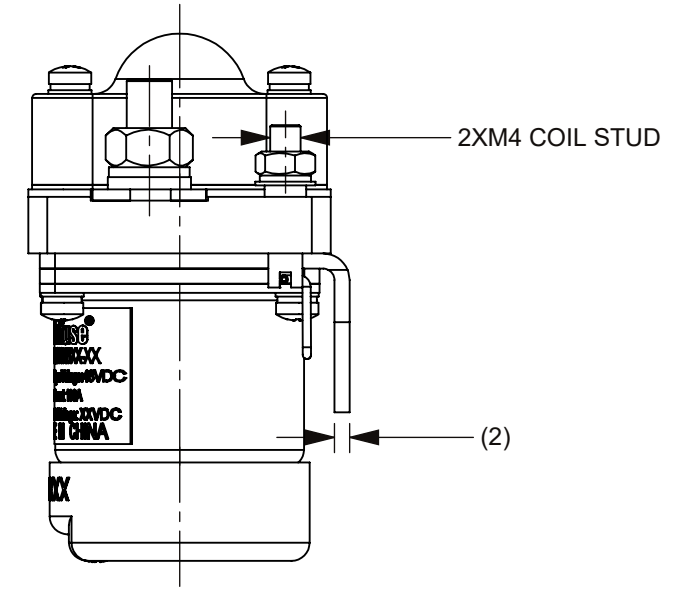
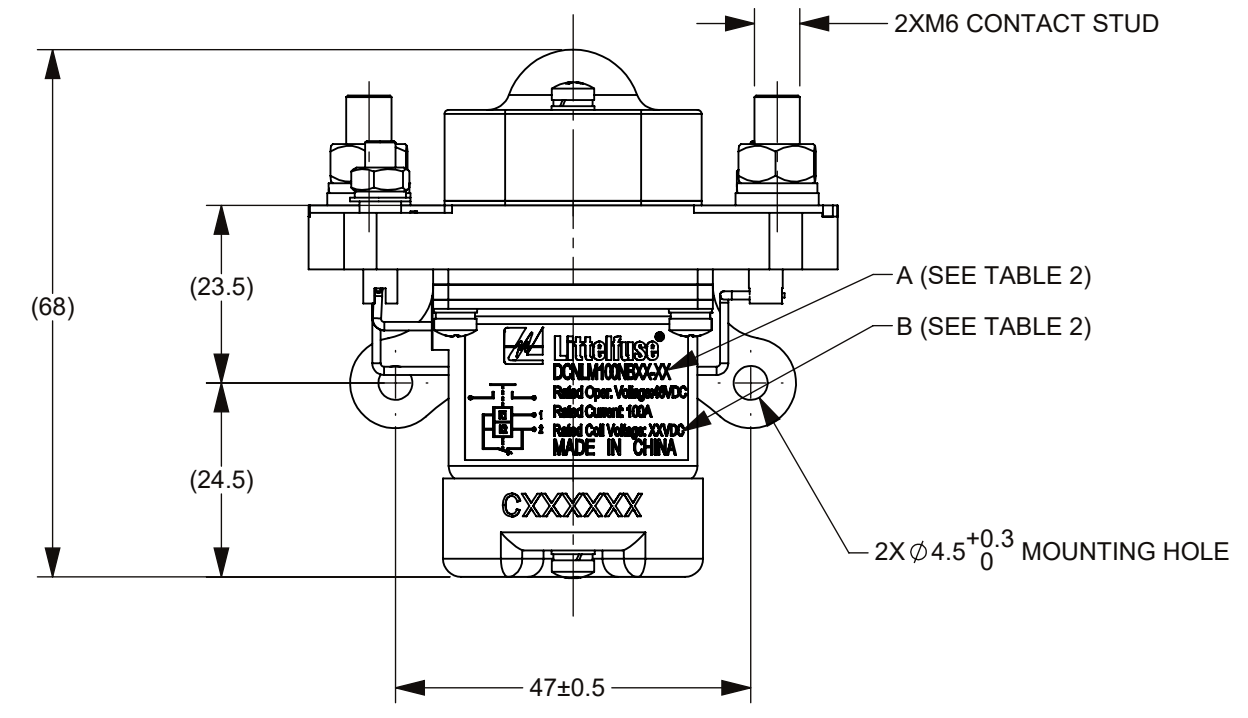
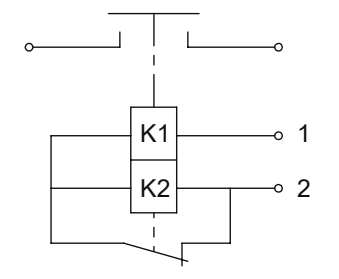


TABLE 1: TECHNICAL PARAMETERS

ITEM	PARAMETER			
	DCNLM100NB12-01	DCNLM100NB24-01	DCNLM100NB48-01	
RATED COIL VOLTAGE	12V DC	24V DC	48V DC	
HOLD POWER	START POWER	MAX 150W		
	MAINTAIN POWER	MAX 9W		
OPERATING VOLTAGE IN COLD STATE AT (20±5)°C	PICKUP	MAX 8V DC	MAX 16V DC	MAX 26V DC
	RELEASE	MIN 1.2V DC	MIN 2.4V DC	MIN 5.4V DC
OPERATE TIME	MAX 30ms			
RELEASE TIME	MAX 30ms			
BOUNCE TIME	MAX 7ms			
RATED CONTACT VOLTAGE	48V DC			
MAXIMUM CONTACT VOLTAGE	60V DC			
RATED CONTACT CURRENT	100A			
CONTACT VOLTAGE DROP	≤80mV@100 A			
LIMIT BREAKING ABILITY	4le/5ms,1CYCLES			
DIELECTRIC STRENGTH	1000V AC, 50Hz,1min., LEAKAGE CURRENT ≤1 mA			
INSULATION RESISTANCE	≥50MΩ@500VDC			
ELECTRIC LIFE	10000 CYCLES			
MECHANICAL LIFE	100,000 CYCLES			
WORKING DUTY	CONTINUOUS			

NOTES:

- ALL SIZES ARE FOR REFERENCE ONLY.
- MATERIALS AND FINISH:
 - BASE: THERMOSETTING PLASTIC, UL94V-0.
 - CONTACTS: SILVER ALLOY.
 - COIL STUD: COPPER ALLY, SILVER PLATED.
- PRODUCT TECHNICAL PARAMETERS: SEE TABLE 1.
- PRODUCT AND NAMEPLATE (THE CHARACTER CONTENT AT "A" AND "B") CONFIGURATION SEE TABLE 2.
- CONTACT ARRANGEMENT: SPST-NO.
- CONNECTION STUD: M6 STUD, RECOMMENDED TORQUE 4 N·m ~ 6 N·m; M4 STUD, RECOMMENDED TORQUE 1.7 N·m ~ 2.5 N·m.
- MOUNTING: M4 BOLT, RECOMMENDED TORQUE 1.7 N·m ~ 2.5 N·m.

TABLE 2 P/N AND CONFIGURATION

P/N	"A"	"B"
DCNLM100NB12-01	DCNLM100NB12-01	Rated Coil Voltage: 12VDC
DCNLM100NB24-01	DCNLM100NB24-01	Rated Coil Voltage: 24VDC
DCNLM100NB48-01	DCNLM100NB48-01	Rated Coil Voltage: 48VDC

PER CHNFPD20-008 PROCEDURE

- FIT/ FUNCTION CRITICAL CHARACTERISTICS
- <S> SAFETY/ COMPLIANCE CRITICAL CHARACTERISTICS SYMBOL
- CPK DENOTES CPK DIMENSIONS MINIMUM CPK VALUE
- (ST) DENOTES A CHARACTERISTIC THAT PROVIDES AN INDICATION OF PROCESS PERFORMANCE PROCEDURE FOR MEASUREMENT AND TRACKING TO BE DEFINED IN LITTELFUSE INSPECTION INSTRUCTIONS
- CP DENOTES CP DIMENSIONS. MINIMUM CP VALUE MUST BE WITHIN THE DIMENSIONAL LIMITATIONS SHOWN ON DRAWING AND INITIALLY LOCATED TO ALLOW FOR MAXIMUM TOOL LIFE

NAME	DATE
V. ZHANG	OCT.27/2021
J. LI	OCT.30/2021

FORM NO. CVP-PE40-0005 REV B
THIRD ANGLE PROJECTION

Littelfuse
Expertise Applied | Answers Delivered

TITLE: DCNL 100A 48V COIL CONTACTOR

SIZE: C DWG. NO. OL-DCNLM100NB.CHT2 REV. A
SCALE: 1:1 SHEET 1 OF 1