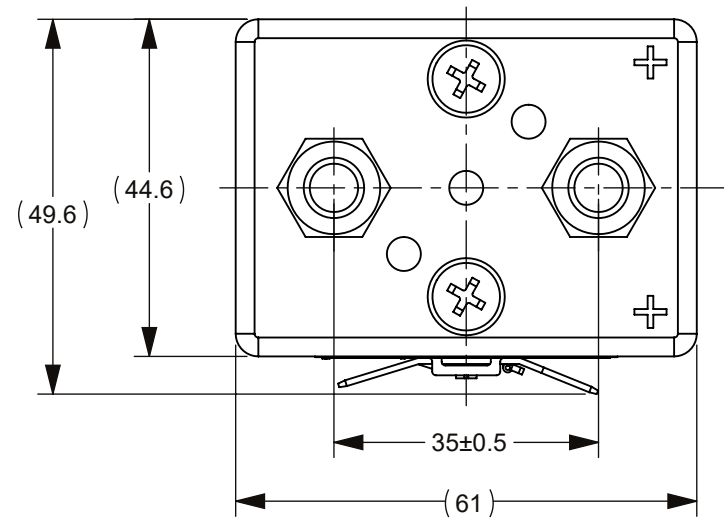
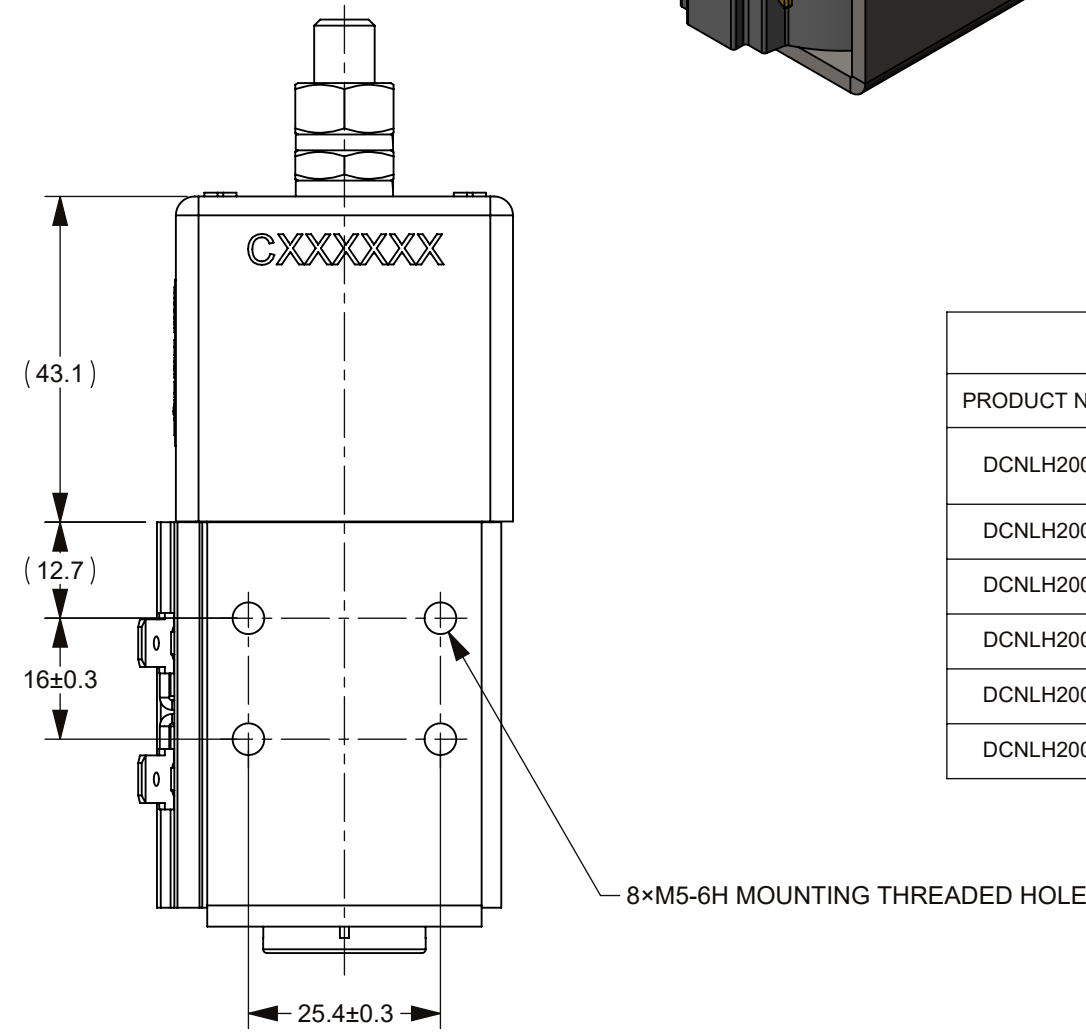
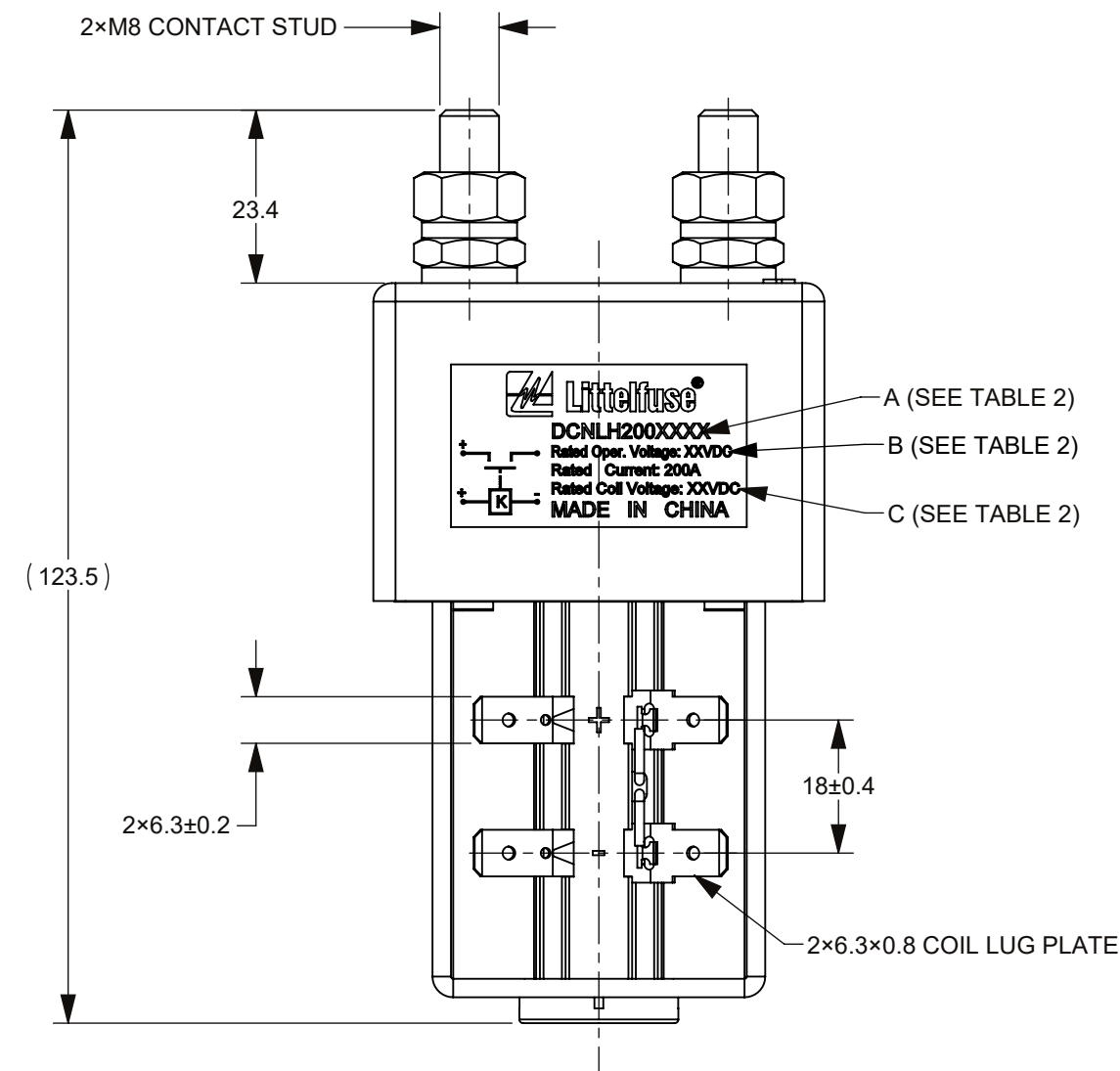
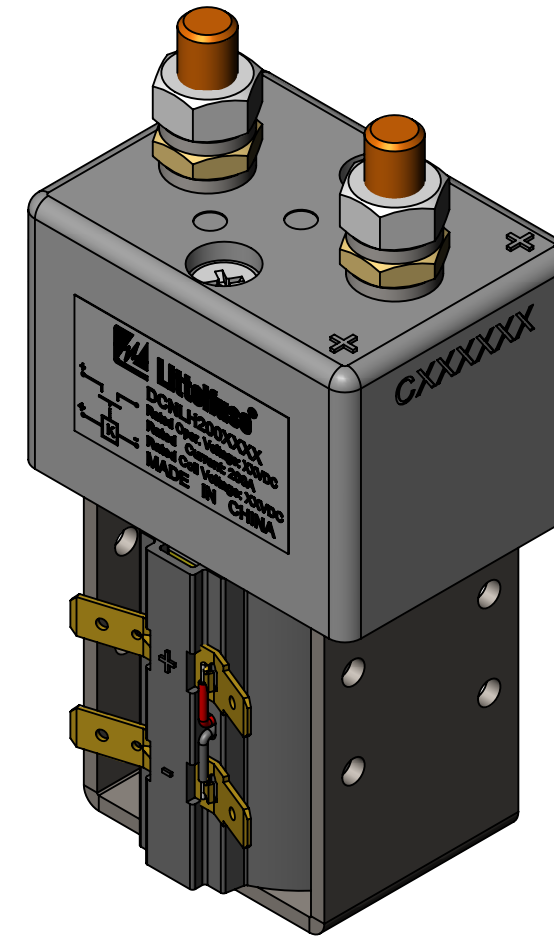
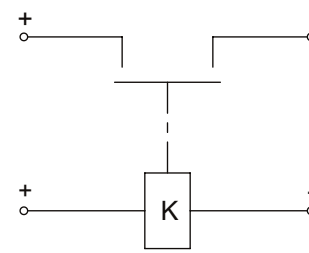


REVISIONS				
ZONE	REV.	DESCRIPTION	DATE	APPROVED
	A	GCF#524670 INITIAL RELEASE	NOV./05/2021	D. ZHANG



CIRCUIT SCHEMATIC DIAGRAM



PRODUCT NUMBER	"A"	"B"	"C"
DCNLH200PD12	DCNLH200PD12	Rated Oper. Voltage: 96VDC	Rated Coil Voltage: 12VDC
DCNLH200PD24	DCNLH200PD24	Rated Oper. Voltage: 96VDC	Rated Coil Voltage: 24VDC
DCNLH200PD48	DCNLH200PD48	Rated Oper. Voltage: 96VDC	Rated Coil Voltage: 48VDC
DCNLH200NB12	DCNLH200NB12	Rated Oper. Voltage: 48VDC	Rated Coil Voltage: 12VDC
DCNLH200NB24	DCNLH200NB24	Rated Oper. Voltage: 48VDC	Rated Coil Voltage: 24VDC
DCNLH200NB48	DCNLH200NB48	Rated Oper. Voltage: 48VDC	Rated Coil Voltage: 48VDC

TECHNICAL PARAMETERS 1

ITEM	PARAMETER						
	DCNLH200PD12	DCNLH200PD24	DCNLH200PD48	DCNLH200NB12	DCNLH200NB24	DCNLH200NB48	
RATED COIL VOLTAGE	12V DC	24V DC	48V DC	12V DC	24V DC	48V DC	
HOLD POWER	MAX 55W	MAX 29W	MAX 27W	MAX 55W	MAX 29W	MAX 27W	
OPERATING VOLTAGE IN COLD STATE AT (20±5)°C	PICK-UP(V DC)	MAX 8.4	MAX 16.8	MAX 33.6	MAX 8.4	MAX 16.8	MAX 33.6
	RELEASE(V DC)	MAX 8.4	MAX 16.8	MAX 33.6	MAX 8.4	MAX 16.8	MAX 33.6
OPERATE TIME	MAX 40ms						
BOUNCE TIME	MAX 7ms						
CONTACT VOLTAGE DROP	≤50mV@100 A						
DIELECTRIC STRENGTH	1000V AC, 50Hz, 1min., LEAKAGE CURRENT ≤1 mA						
INSULATION RESISTANCE	≥50MΩ@500VDC						
RATED CONTACT VOLTAGE	96V DC			48V DC			
MAXIMUM CONTACT VOLTAGE	110V DC			60V DC			
RATED CONTACT CURRENT	200A						
LIMIT BREAKING ABILITY	4le/5ms, 1CYCLES						
ELECTRIC LIFE	6000 CYCLES						
MECHANICAL LIFE	100,000 CYCLES						

NOTES:

- ALL SIZES ARE FOR REFERENCE ONLY.
- MATERIALS AND FINISHING:
  - BASE: PHENOLPLASTIC, UL94V-0.
  - CONTACTS: SILVER ALLOY.
  - STUD: COPPER ROD.
  - COIL LUG PLATE: BRASS STRIP.
- PRODUCT TECHNICAL PARAMETERS: SEE TABLE 1.
- PRODUCT AND NAMEPLATE(THE CHARACTER CONTENT AT "A", "B" AND "C") CONFIGURATION SEE TABLE 2.
- CONTACT ARRANGEMENT: SPST-NO.
- PRODUCT COIL IS ACTIVATED BY POSITIVE AND NEGATIVE PULSE(SQUARE PULSE), 200ms≤t≤1s, THE PERMANENT MAGNET IN PRODUCT KEEPS THE STATE OF THE CONTACT, LONG TIME CONTINUOUS ENERGIZING IS NOT ALLOWED. AND POSITIVE PULSE MAKES THE CONTACT CLOSE, WHILE NEGATIVE PULSE MAKES THE CONTACT OPEN.
- CONNECTION STUD: M8 STUD, RECOMMENDED TORQUE: 8 N·m ~ 9 N·m.
- MOUNTING: M5 BOLT, RECOMMENDED TORQUE: 4 N·m-5 N·m.

DIMENSIONS ARE SHOWN IN MILLIMETERS. DIMENSIONS AND TOLERANCES ARE DEFINED ACCORDING TO ANSI/ASME Y14.5-1994.

● FIT/ FUNCTION CRITICAL CHARACTERISTICS  
<S> SAFETY/ COMPLIANCE CRITICAL CHARACTERISTICS SYMBOL  
**CPK** DENOTES CPK DIMENSIONS MINIMUM CPK VALUE  
ST DENOTES A CHARACTERISTIC THAT PROVIDES AN INDICATION OF PROCESS PERFORMANCE. PROCEDURE FOR MEASUREMENT AND TRACKING TO BE DEFINED IN LITTELFUSE INSPECTION INSTRUCTIONS  
**CP** DENOTES CP DIMENSIONS. MINIMUM CP VALUE MUST BE WITHIN THE DIMENSIONAL LIMITATIONS SHOWN ON DRAWING AND INITIALLY LOCATED TO ALLOW FOR MAXIMUM TOOL LIFE

FORM NO. CVP-PE40-0005 REV B	THIRD ANGLE PROJECTION		
DRAWN: M.J. DAI CHECKED: J. LI		DATE: NOV./05/2021 DATE: NOV./10/2021	
TITLE: DCNLH 200A CONTACTOR		SIZE: C DWG. NO.: OL-DCNLH200.CHART	REV. A
DO NOT SCALE DRAWING		SCALE 1:1	SHEET 1 OF 1