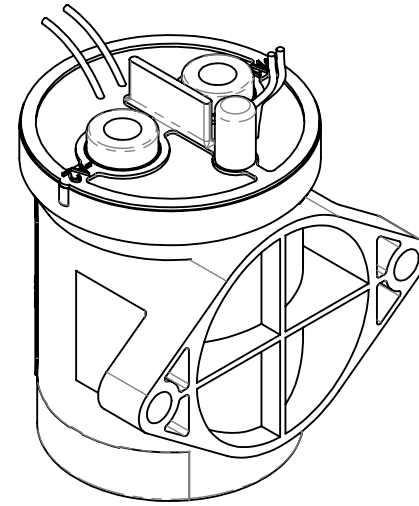
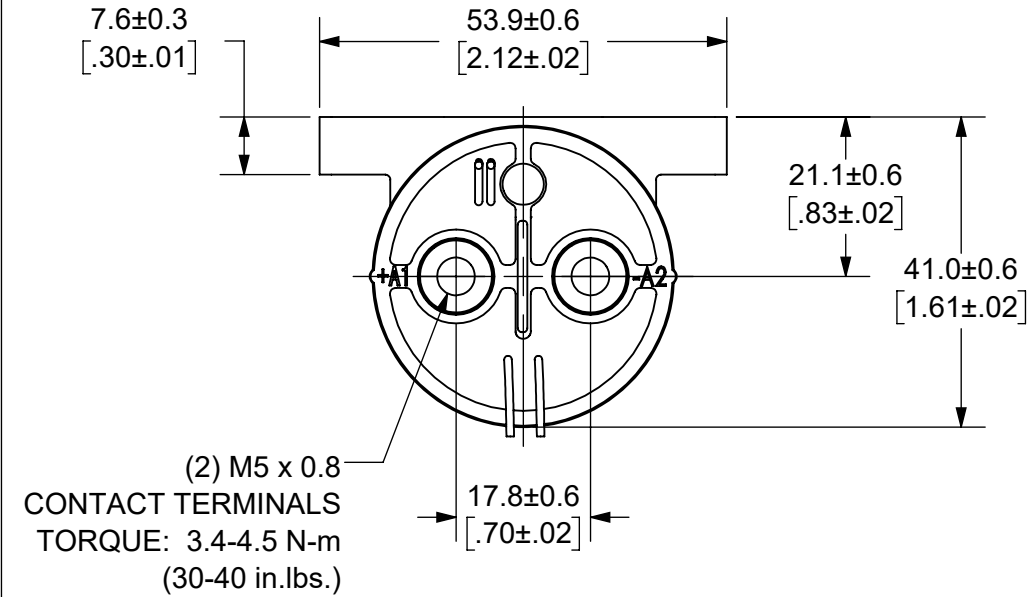


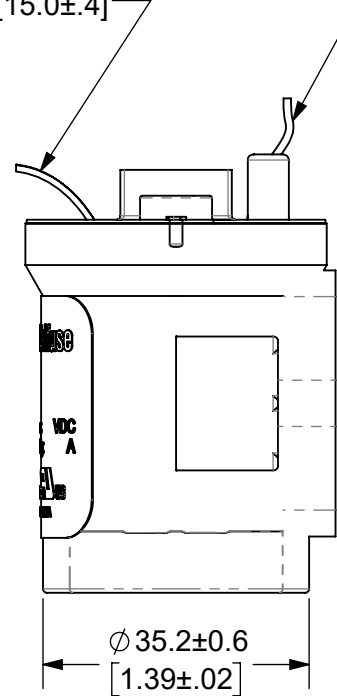
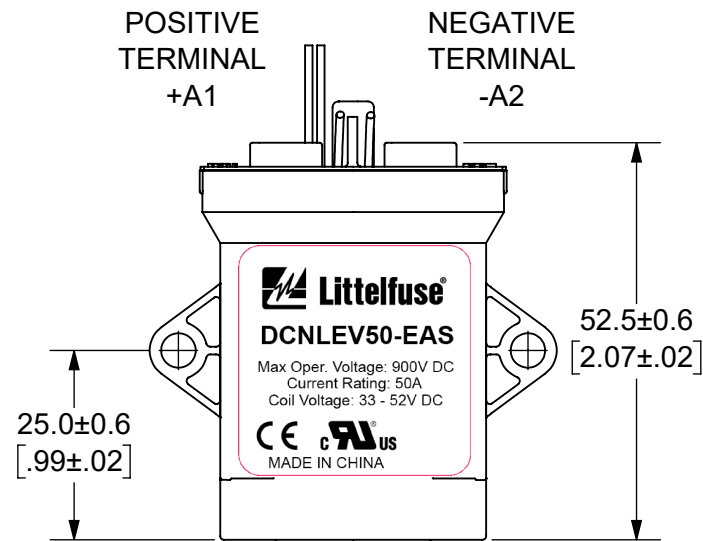
THIS DRAWING AND THE INFORMATION CONTAINED WITHIN IT ARE CONFIDENTIAL AND MAY NOT BE COPIED OR DISCLOSED WITHOUT THE WRITTEN PERMISSION OF LITTELFUSE.

REVISIONS				
ZONE	REV.	DESCRIPTION	DATE	APPROVED
	A	INITIAL RELEASE. GCF 500000021765	12/10/2019	DGK

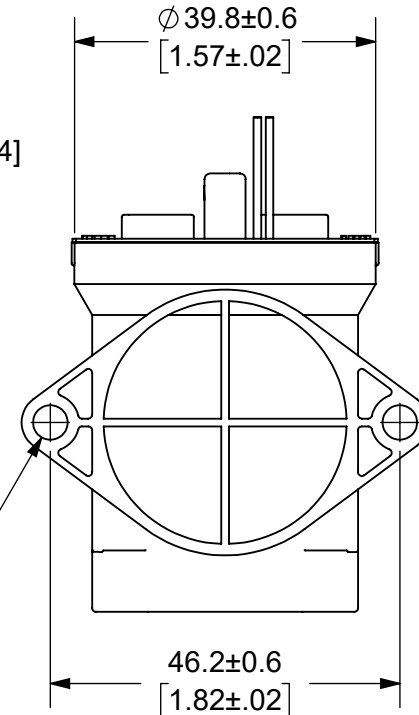


COIL WIRES, WHITE
LENGTH: 380±10 [15.0±.4]

AUXILIARY CONTACT, SPST-NO
BLACK WIRES
LENGTH: 380±10 [15.0±.4]



(2) Ø 4.6±0.3
[.18±.01]
MOUNTING HOLES
TORQUE: 2.3 N-m
(20 in.-lbs.)



- NOTES: UNLESS OTHERWISE SPECIFIED
- CONTACT ARRANGEMENT: SPST-NO
 - CONTINUOUS CURRENT RATING: 50 AMPS
 - CONTACT VOLTAGE RATING: 12 - 900 VDC
 - CONTACT TERMINALS POLARIZED
 - HARDWARE: NONE
 - WEIGHT: 190 GRAMS (6.7 OZ.)
 - CERTIFICATIONS:

 UL RECOGNIZED FOR CANADA AND THE UNITED STATES.
 EUROPEAN ECONOMIC AREA RECOGNIZED.
 - RoHS COMPLIANT
 - AUXILIARY CONTACT RATING, SPST-NO:
 2A @ 30VDC
 3A @ 125VDC

●		FIT/ FUNCTION CRITICAL CHARACTERISTICS SYMBOL
<S>		SAFETY/ COMPLIANCE CRITICAL CHARACTERISTICS SYMBOL
CPK		DENOTES CPK DIMENSIONS MINIMUM CPK VALUE
ST		DENOTES A CHARACTERISTIC THAT PROVIDES AN INDICATION OF PROCESS PERFORMANCE PROCEDURE FOR MEASUREMENT AND TRACKING TO BE DEFINED IN LITTELFUSE INSPECTION INSTRUCTIONS
CP		DENOTES CP DIMENSIONS, -MINIMUM CP VALUE MUST BE WITHIN THE DIMENSIONAL LIMITATIONS SHOWN ON DRAWING AND INITIALLY LOCATED TO ALLOW FOR MAXIMUM TOOL LIFE
DIMENSION: MM TOLERANCES UNLESS OTHERWISE SPECIFIED ONE PLACE DECIMAL ± 0.5 THREE PLACES DECIMAL ± 0.100 TWO PLACES DECIMAL ± 0.20 ANGULAR ± 2°		
NAME	DATE	 Expertise Applied Answers Delivered TITLE DC CONTACTOR, 50 AMP 48 VDC, AUX. CONTACT SIZE B DWG. NO. OL-DCNLEV50-EAS OUTLINE REV. A DO NOT SCALE DRAWING SCALE 1:1 SHEET 1 OF 1
DRAWN	DGK 11/13/2019	
CHECKED	AH 12/11/2019	

ENGINEERING DESIGN DATA

COIL DATA						SHORT CIRCUIT	DIELECTRIC VOLTAGE	ELECTRICAL LIFE
COIL VOLTAGE (VDC)	NOMINAL POWER (WATTS)	PICK-UP VOLTAGE (VDC)	DROP-OUT VOLTAGE (VDC)	MAX. VOLTAGE (VDC)	HOLDING CURRENT	MAX, 1/2 CYCLE, 60Hz	(VRMS)	50A @ 450VDC (CYCLES)
48	6.0	33	4.8	52	122mA	1250 A	2,200	8,000