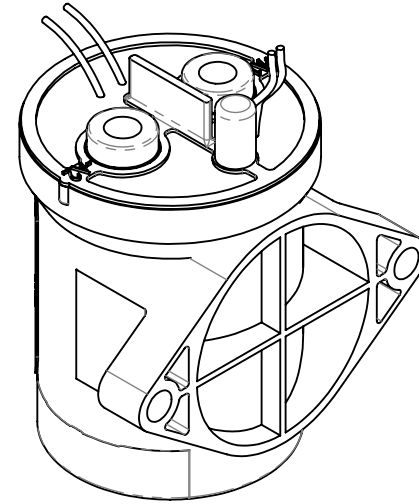
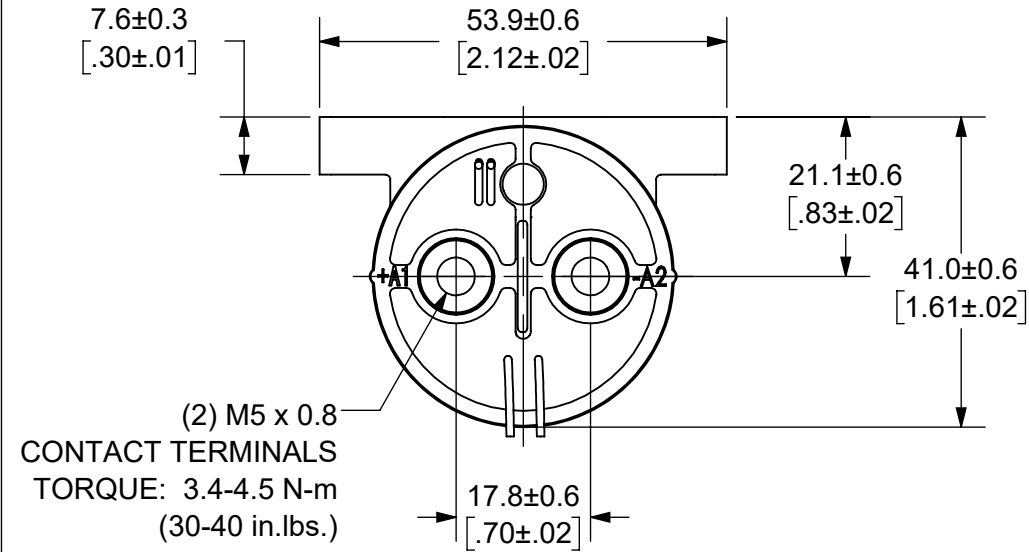


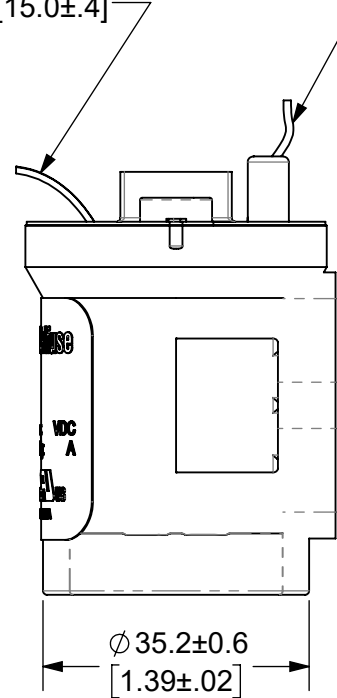
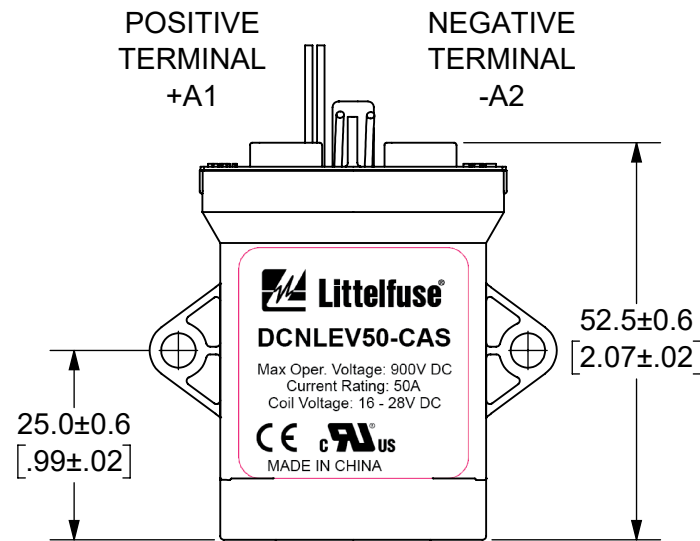
THIS DRAWING AND THE INFORMATION CONTAINED WITHIN IT ARE CONFIDENTIAL AND MAY NOT BE COPIED OR DISCLOSED WITHOUT THE WRITTEN PERMISSION OF LITTELFUSE.

REVISIONS				
ZONE	REV.	DESCRIPTION	DATE	APPROVED
	A	INITIAL RELEASE. GCF 500000021765	12/10/2019	DGK

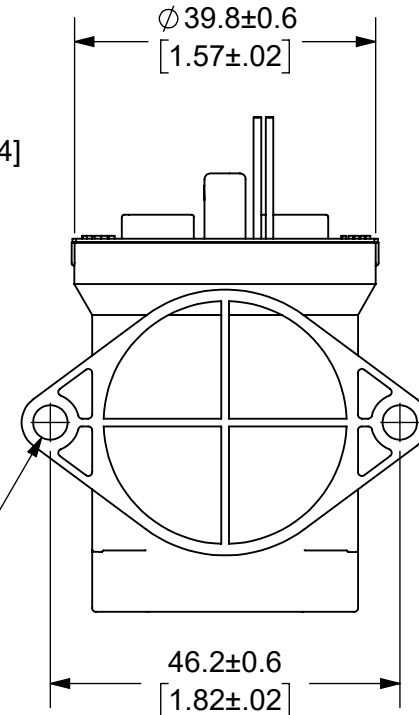


COIL WIRES, WHITE  
 LENGTH: 380±10 [15.0±.4]

AUXILIARY CONTACT, SPST-NO  
 BLACK WIRES  
 LENGTH: 380±10 [15.0±.4]



(2) Ø 4.6±0.3 [.18±.01]  
 MOUNTING HOLES  
 TORQUE: 2.3 N-m (20 in.-lbs.)



- NOTES: UNLESS OTHERWISE SPECIFIED
- CONTACT ARRANGEMENT: SPST-NO
  - CONTINUOUS CURRENT RATING: 50 AMPS
  - CONTACT VOLTAGE RATING: 12 - 900 VDC
  - CONTACT TERMINALS POLARIZED
  - HARDWARE: NONE
  - WEIGHT: 190 GRAMS (6.7 OZ.)
  - CERTIFICATIONS:  
  
 UL RECOGNIZED FOR CANADA AND THE UNITED STATES.  
 EUROPEAN ECONOMIC AREA RECOGNIZED.
  - RoHS COMPLIANT
  - AUXILIARY CONTACT RATING, SPST-NO:  
 2A @ 30VDC  
 3A @ 125VDC

INTERPRET DRAWING TO ANSI/ASME Y14.5-1994.	
●	FIT/ FUNCTION CRITICAL CHARACTERISTICS SYMBOL
<S>	SAFETY/ COMPLIANCE CRITICAL CHARACTERISTICS SYMBOL
CPK	DENOTES CPK DIMENSIONS MINIMUM CPK VALUE
ST	DENOTES A CHARACTERISTIC THAT PROVIDES AN INDICATION OF PROCESS PERFORMANCE PROCEDURE FOR MEASUREMENT AND TRACKING TO BE DEFINED IN LITTELFUSE INSPECTION INSTRUCTIONS
CP	DENOTES CP DIMENSIONS, -MINIMUM CP VALUE MUST BE WITHIN THE DIMENSIONAL LIMITATIONS SHOWN ON DRAWING AND INITIALLY LOCATED TO ALLOW FOR MAXIMUM TOOL LIFE
DIMENSION: MM TOLERANCES UNLESS OTHERWISE SPECIFIED ONE PLACE DECIMAL ± 0.5 THREE PLACES DECIMAL ± 0.100 TWO PLACES DECIMAL ± 0.20 ANGULAR ± 2°	
NAME	DATE
DRAWN DGK	11/12/2019
CHECKED AH	12/11/2019
<b>Littelfuse</b> Expertise Applied   Answers Delivered	
FORM NO: CVP-PE40-0004 REV A	
THIRD ANGLE PROJECTION	
TITLE <b>DC CONTACTOR, 50 AMP 24 VDC, AUX. CONTACT</b>	
SIZE B	DWG. NO. OL-DCNLEV50-CAS
DO NOT SCALE DRAWING	SCALE 1:1
OUTLINE REV. A	SHEET 1 OF 1

ENGINEERING DESIGN DATA

COIL DATA						SHORT CIRCUIT	DIELECTRIC VOLTAGE	ELECTRICAL LIFE
COIL VOLTAGE (VDC)	NOMINAL POWER (WATTS)	PICK-UP VOLTAGE (VDC)	DROP-OUT VOLTAGE (VDC)	MAX. VOLTAGE (VDC)	HOLDING CURRENT	MAX, 1/2 CYCLE, 60Hz	(VRMS)	50A @ 450VDC (CYCLES)
24	6.0	16	2.4	28	250mA	1250 A	2,200	8,000