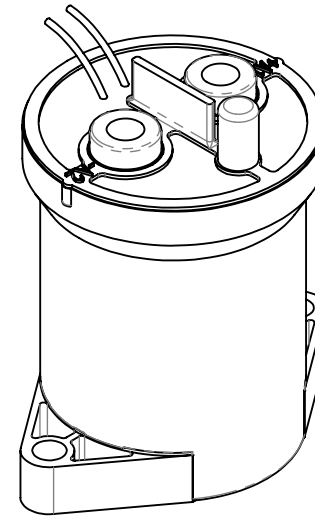
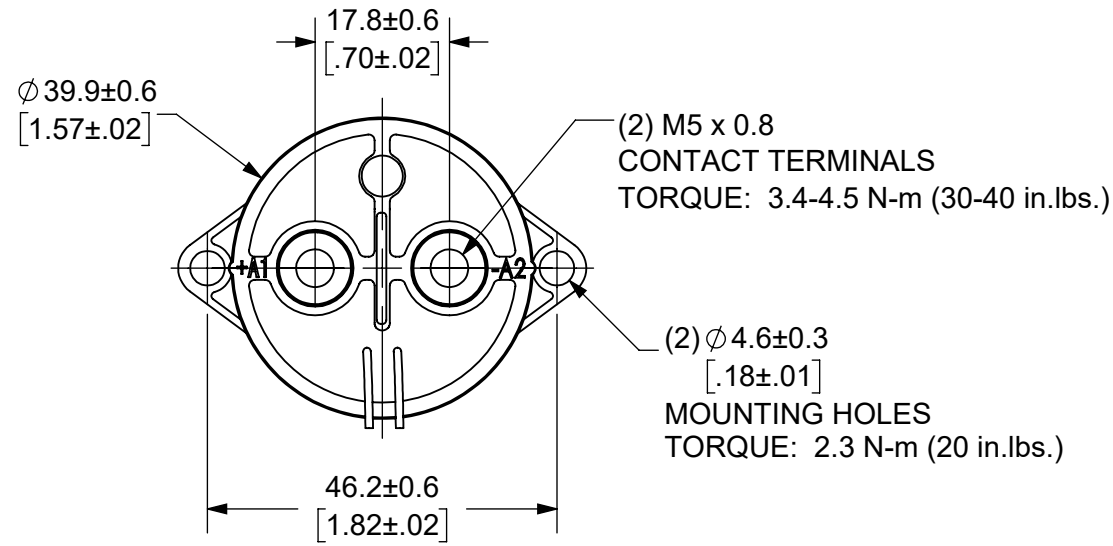


THIS DRAWING AND THE INFORMATION CONTAINED WITHIN IT ARE CONFIDENTIAL AND MAY NOT BE COPIED OR DISCLOSED WITHOUT THE WRITTEN PERMISSION OF LITTELFUSE.

REVISIONS

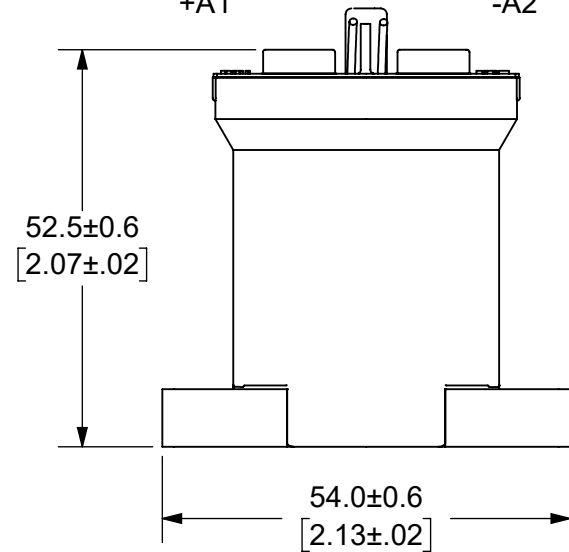
ZONE	REV.	DESCRIPTION	DATE	APPROVED
	A	INITIAL RELEASE. GCF 500000021765	12/10/2019	DGK



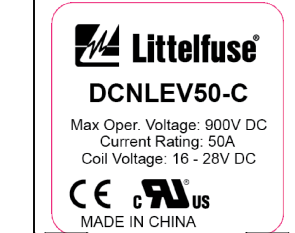
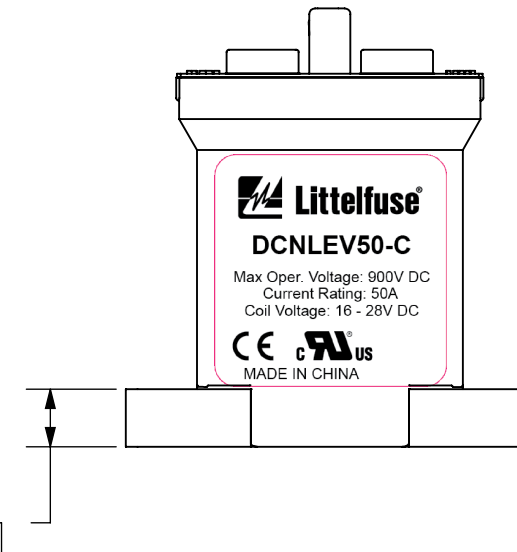
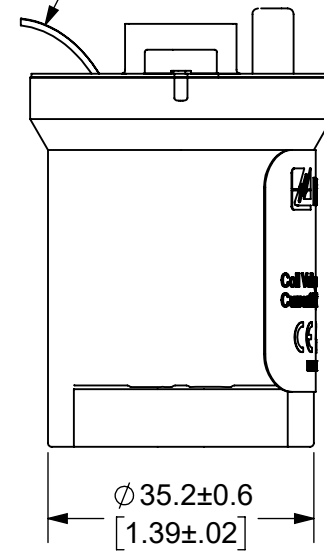
NOTES: UNLESS OTHERWISE SPECIFIED

- CONTACT ARRANGEMENT: SPST-NO
- CONTINUOUS CURRENT RATING: 50 AMPS
- CONTACT VOLTAGE RATING: 12 - 900 VDC
- CONTACT TERMINALS POLARIZED
- HARDWARE: NONE
- WEIGHT: 190 GRAMS (6.7 OZ.)
- CERTIFICATIONS:
 - UL RECOGNIZED FOR CANADA AND THE UNITED STATES.
 - EUROPEAN ECONOMIC AREA RECOGNIZED.
- RoHS COMPLIANT

POSITIVE TERMINAL +A1
NEGATIVE TERMINAL -A2



COIL WIRES, WHITE
LENGTH: 380 ± 10 (15.0 ± 0.4)



ENGINEERING DESIGN DATA

COIL DATA						SHORT CIRCUIT	DIELECTRIC VOLTAGE	ELECTRICAL LIFE
COIL VOLTAGE (VDC)	NOMINAL POWER (WATTS)	PICK-UP VOLTAGE (VDC)	DROP-OUT VOLTAGE (VDC)	MAX. VOLTAGE (VDC)	HOLDING CURRENT	MAX, 1/2 CYCLE, 60Hz	(VRMS)	50A @ 450VDC (CYCLES)
24	6.0	16	2.4	28	250mA	1250 A	2,200	8,000

INTERPRET DRAWING TO ANSI/ASME Y14.5-1994.			
	FIT/ FUNCTION CRITICAL CHARACTERISTICS SYMBOL		
<S>	SAFETY/ COMPLIANCE CRITICAL CHARACTERISTICS SYMBOL		
CPK	DENOTES CPK DIMENSIONS MINIMUM CPK VALUE		
	DENOTES A CHARACTERISTIC THAT PROVIDES AN INDICATION OF PROCESS PERFORMANCE PROCEDURE FOR MEASUREMENT AND TRACKING TO BE DEFINED IN LITTELFUSE INSPECTION INSTRUCTIONS		
CP	DENOTES CP DIMENSIONS, -MINIMUM CP VALUE MUST BE WITHIN THE DIMENSIONAL LIMITATIONS SHOWN ON DRAWING AND INITIALLY LOCATED TO ALLOW FOR MAXIMUM TOOL LIFE		
DIMENSION: MM TOLERANCES UNLESS OTHERWISE SPECIFIED ONE PLACE DECIMAL ± 0.5 THREE PLACES DECIMAL ± 0.100 TWO PLACES DECIMAL ± 0.20 ANGULAR ± 2°			
NAME	DATE	 Expertise Applied Answers Delivered	
DRAWN DGK	11/12/2019		
CHECKED AH	12/11/2019		
-	-		
FORM NO: CVP-PE40-0004 REV A		TITLE	
THIRD ANGLE PROJECTION		DC CONTACTOR, 50 AMP 24 VDC	
	SIZE B	DWG. NO. OL-DCNLEV50-C	OUTLINE REV. A
DO NOT SCALE DRAWING		SCALE 1:1	SHEET 1 OF 1