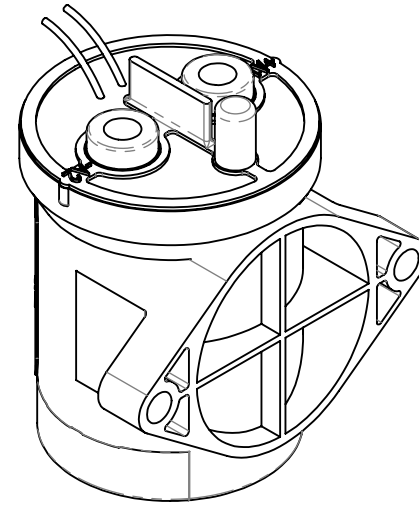
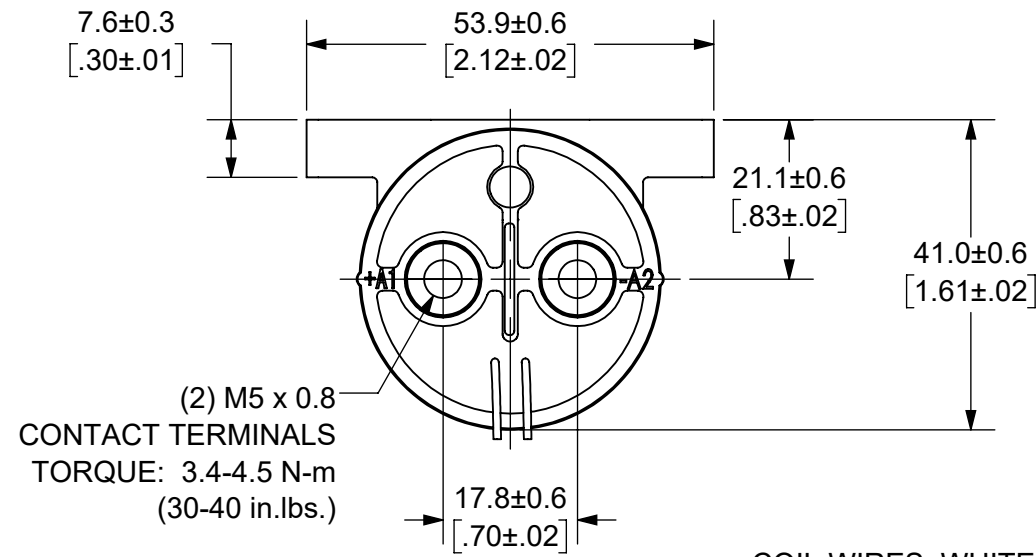


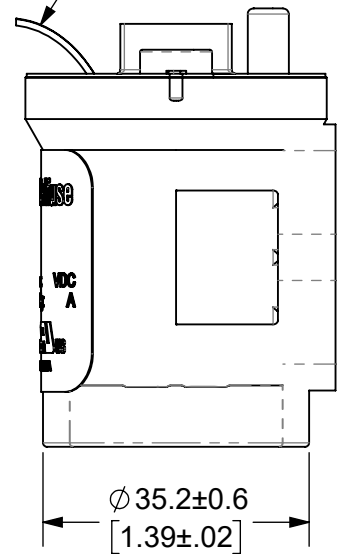
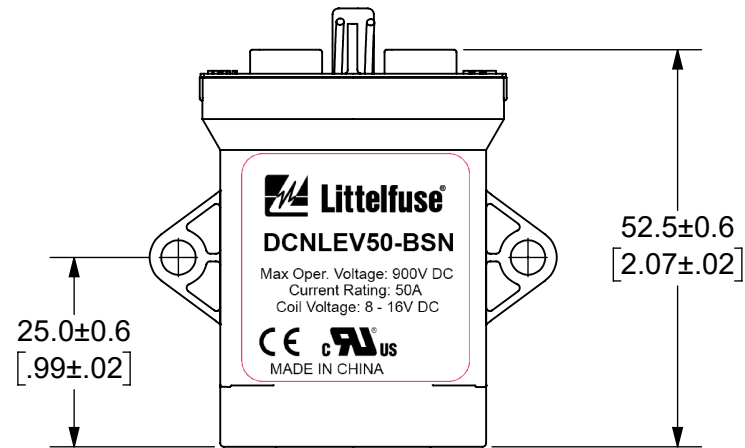
THIS DRAWING AND THE INFORMATION CONTAINED WITHIN IT ARE CONFIDENTIAL AND MAY NOT BE COPIED OR DISCLOSED WITHOUT THE WRITTEN PERMISSION OF LITTELFUSE.

REVISIONS

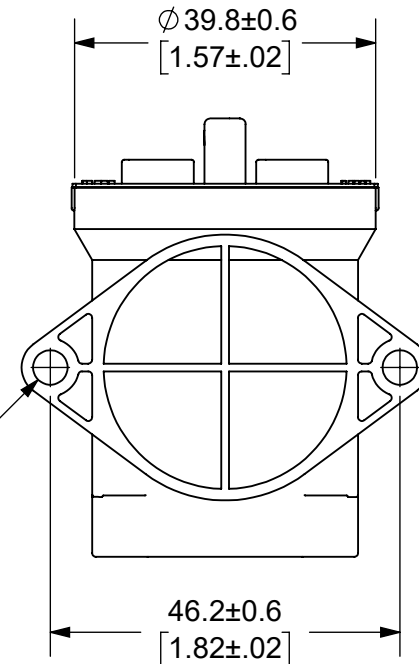
ZONE	REV.	DESCRIPTION	DATE	APPROVED
	A	INITIAL RELEASE. GCF 500000021765	12/10/2019	DGK



COIL WIRES, WHITE
LENGTH: 380±10 [15.0±.4]



(2) $\phi 4.6 \pm 0.3$
[.18±.01]
MOUNTING HOLES
TORQUE: 2.3 N-m
(20 in.-lbs.)



- NOTES: UNLESS OTHERWISE SPECIFIED
- CONTACT ARRANGEMENT: SPST-NO
 - CONTINUOUS CURRENT RATING: 50 AMPS
 - CONTACT VOLTAGE RATING: 12 - 900 VDC
 - CONTACT TERMINALS NON-POLARIZED
 - HARDWARE: NONE
 - WEIGHT: 190 GRAMS (6.7 OZ.)
 - CERTIFICATIONS:

 UL RECOGNIZED FOR CANADA AND THE UNITED STATES.
 EUROPEAN ECONOMIC AREA RECOGNIZED.
 RoHS COMPLIANT

INTERPRET DRAWING TO ANSI/ASME Y14.5-1994.	
	FIT/ FUNCTION CRITICAL CHARACTERISTICS SYMBOL
	SAFETY/ COMPLIANCE CRITICAL CHARACTERISTICS SYMBOL
CPK	DENOTES CPK DIMENSIONS MINIMUM CPK VALUE
	DENOTES A CHARACTERISTIC THAT PROVIDES AN INDICATION OF PROCESS PERFORMANCE PROCEDURE FOR MEASUREMENT AND TRACKING TO BE DEFINED IN LITTELFUSE INSPECTION INSTRUCTIONS
CP	DENOTES CP DIMENSIONS, -MINIMUM CP VALUE MUST BE WITHIN THE DIMENSIONAL LIMITATIONS SHOWN ON DRAWING AND INITIALLY LOCATED TO ALLOW FOR MAXIMUM TOOL LIFE
DIMENSION: MM TOLERANCES UNLESS OTHERWISE SPECIFIED ONE PLACE DECIMAL ± 0.5 THREE PLACES DECIMAL ± 0.100 TWO PLACES DECIMAL ± 0.20 ANGULAR ± 2°	
NAME	DATE
DRAWN DGK	11/11/2019
CHECKED AH	12/11/2019
Littelfuse Expertise Applied Answers Delivered	
FORM NO: CVP-PE40-0004 REV A	
THIRD ANGLE PROJECTION	
SIZE B	DWG. NO. OL-DCNLEV50-BSN
DO NOT SCALE DRAWING	SCALE 1:1
TITLE DC CONTACTOR, 50 AMP 12 VDC, NON-POLAR TERMINALS	
OUTLINE	REV. A
SHEET 1 OF 1	

ENGINEERING DESIGN DATA

COIL DATA						SHORT CIRCUIT	DIELECTRIC VOLTAGE	ELECTRICAL LIFE
COIL VOLTAGE (VDC)	NOMINAL POWER (WATTS)	PICK-UP VOLTAGE (VDC)	DROP-OUT VOLTAGE (VDC)	MAX. VOLTAGE (VDC)	HOLDING CURRENT	MAX, 1/2 CYCLE, 60Hz	(VRMS)	50A @ 450VDC (CYCLES)
12	5.5	8	1.2	16	461mA	1250 A	2,200	8,000