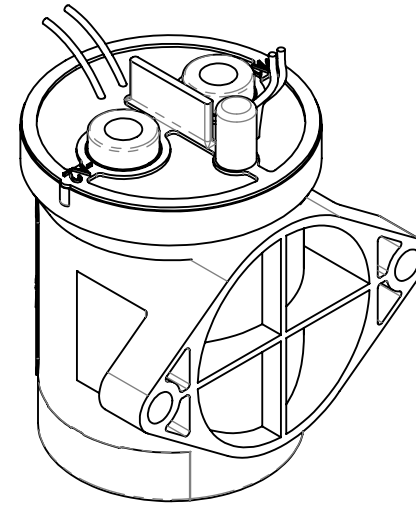
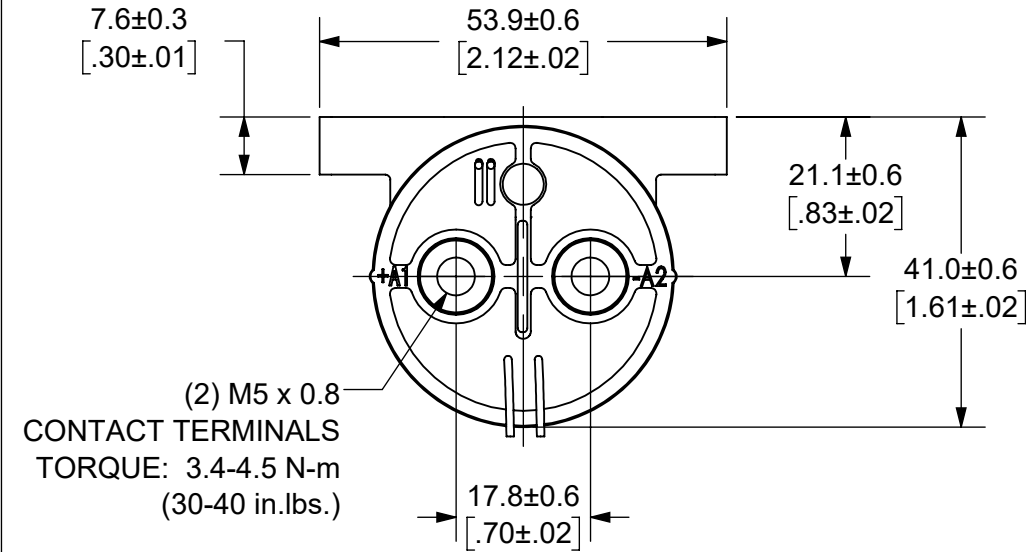


THIS DRAWING AND THE INFORMATION CONTAINED WITHIN IT ARE CONFIDENTIAL AND MAY NOT BE COPIED OR DISCLOSED WITHOUT THE WRITTEN PERMISSION OF LITTELFUSE.

REVISIONS

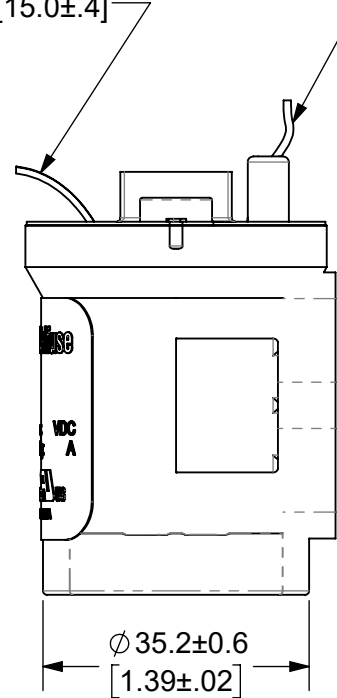
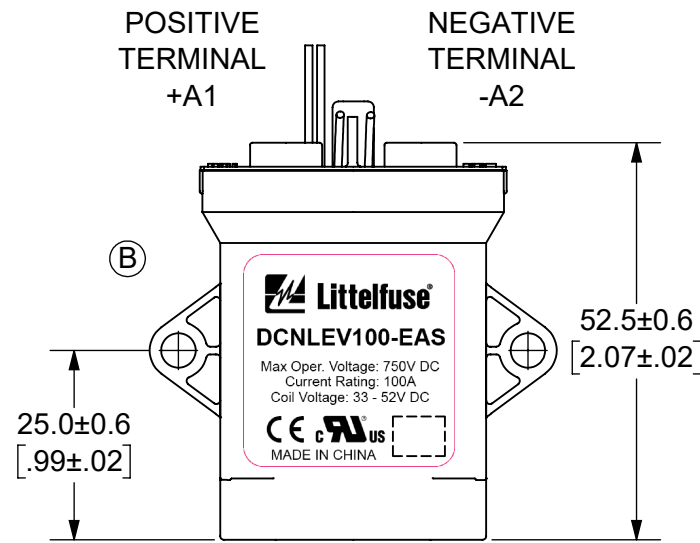
ZONE	REV.	DESCRIPTION	DATE	APPROVED
	A	INITIAL RELEASE. GCF 500000021764	12/16/2019	DGK
C8, D3	B	UPDATED LABEL AND NOTE 7. ECR 522500	7/29/2020	DGK



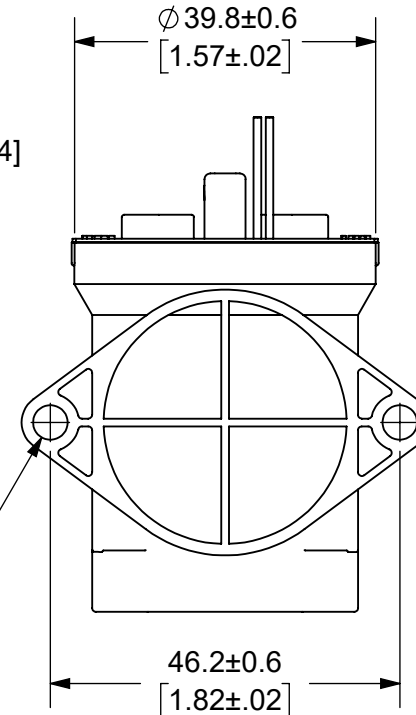
COIL WIRES, WHITE
LENGTH: 380±10 [15.0±.4]

AUXILIARY CONTACT, SPST-NO
BLACK WIRES
LENGTH: 380±10 [15.0±.4]

- NOTES: UNLESS OTHERWISE SPECIFIED
- CONTACT ARRANGEMENT: SPST-NO
 - CONTINUOUS CURRENT RATING: 100 AMPS
 - CONTACT VOLTAGE RATING: 12 - 750 VDC
 - CONTACT TERMINALS POLARIZED
 - HARDWARE: NONE
 - WEIGHT: 190 GRAMS (6.7 OZ.)
 - CERTIFICATIONS:
 -
 - UL RECOGNIZED FOR CANADA AND THE UNITED STATES.
 - EUROPEAN ECONOMIC AREA RECOGNIZED.
 - RoHS COMPLIANT
 - AUXILIARY CONTACT RATING, SPST-NO:
 - 2A @ 30VDC
 - 3A @ 125VDC



(2) Ø 4.6±0.3
[.18±.01]
MOUNTING HOLES
TORQUE: 2.3 N-m
(20 in.-lbs.)



ENGINEERING DESIGN DATA

COIL DATA						SHORT CIRCUIT	DIELECTRIC VOLTAGE	ELECTRICAL LIFE
COIL VOLTAGE (VDC)	NOMINAL POWER (WATTS)	PICK-UP VOLTAGE (VDC)	DROP-OUT VOLTAGE (VDC)	MAX. VOLTAGE (VDC)	HOLDING CURRENT	MAX, 1/2 CYCLE, 60Hz	(VRMS)	100A @ 450VDC (CYCLES)
48	6.0	33	4.8	52	122mA	1250 A	2,200	10,000

INTERPRET DRAWING TO ANSI/ASME Y14.5-1994.

	FIT/ FUNCTION CRITICAL CHARACTERISTICS SYMBOL
<S>	SAFETY/ COMPLIANCE CRITICAL CHARACTERISTICS SYMBOL
CPK	DENOTES CPK DIMENSIONS MINIMUM CPK VALUE
	DENOTES A CHARACTERISTIC THAT PROVIDES AN INDICATION OF PROCESS PERFORMANCE PROCEDURE FOR MEASUREMENT AND TRACKING TO BE DEFINED IN LITTELFUSE INSPECTION INSTRUCTIONS
CP	DENOTES CP DIMENSIONS, -MINIMUM CP VALUE MUST BE WITHIN THE DIMENSIONAL LIMITATIONS SHOWN ON DRAWING AND INITIALLY LOCATED TO ALLOW FOR MAXIMUM TOOL LIFE

DIMENSION: MM TOLERANCES UNLESS OTHERWISE SPECIFIED
ONE PLACE DECIMAL ± 0.5 THREE PLACES DECIMAL ± 0.100
TWO PLACES DECIMAL ± 0.20 ANGULAR ± 2°

NAME	DATE
DRAWN DGK	11/20/2019
CHECKED AH	12/13/2019
-	-
-	-

Littelfuse
Expertise Applied | Answers Delivered

FORM NO: CVP-PE40-0004 REV A
THIRD ANGLE PROJECTION

DO NOT SCALE DRAWING

SCALE 1:1

SHEET 1 OF 1

TITLE
DC CONTACTOR, 100 AMP
48 VDC, AUX. CONTACT

SIZE B DWG. NO. OL-DCNLEV100-EAS OUTLINE REV. B