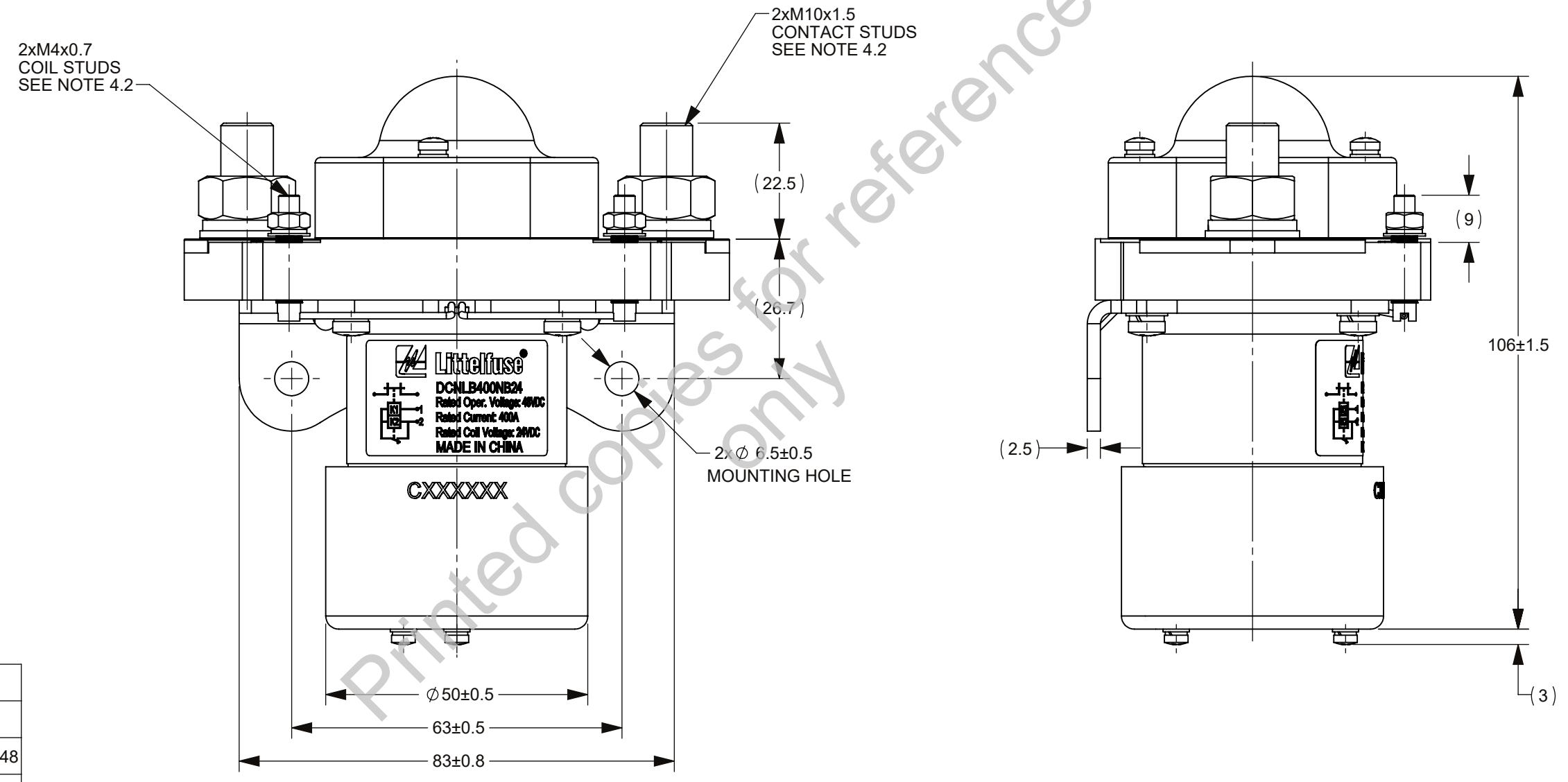
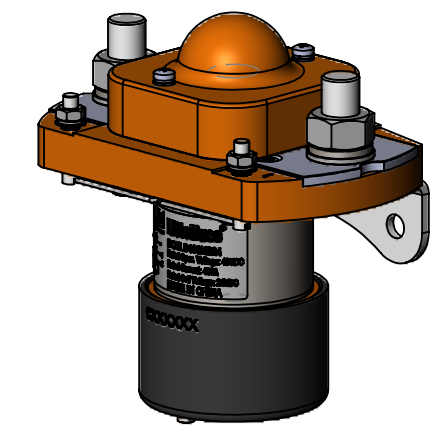
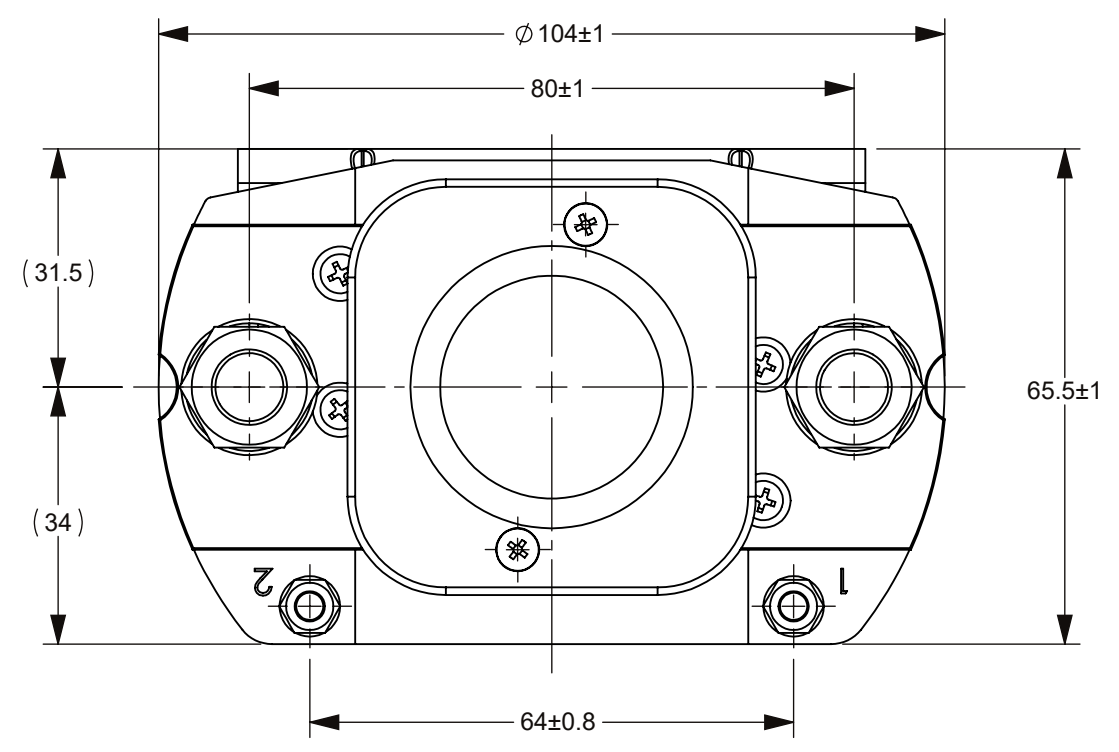


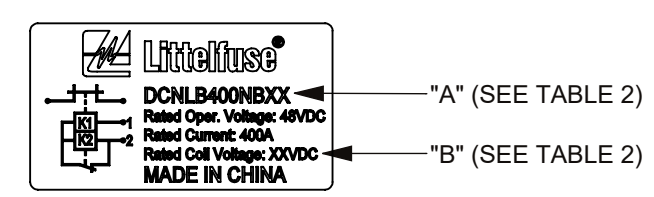
| REVISIONS | | | | |
|-----------|------|---|-------------|----------|
| ZONE | REV. | DESCRIPTION | DATE | APPROVED |
| | A | GCF#525119 INITIAL RELEASE | JAN/21/2022 | D. ZHANG |
| A6 | B | ECR-100355 ADJUST TORQUE OF CONTACT STUDS | JUN/21/2022 | D. ZHANG |



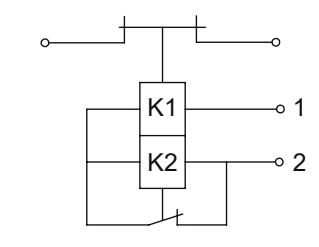
| ITEM | PARAMETER | |
|--|--|-----------------------|
| | DCNLB400NB24 | DCNLB400NB48 |
| HOLD POWER | START POWER | MAX 180W |
| | MAINTAIN POWER | MAX 8W |
| MAXIMUM CONTACT VOLTAGE | 60V DC | |
| RATED CONTACT VOLTAGE | 48V DC | 48V DC |
| RATED CONTACT CURRENT | 400A | |
| RATED COIL VOLTAGE | 24V DC | 48V DC |
| ● OPERATING VOLTAGE IN COLD STATE @ (20±5)°C | PICKUP | 17V DC MAX 34V DC MAX |
| | RELEASE | 2V DC MIN 4V DC MIN |
| OPERATE TIME | MAX 50ms | |
| RELEASE TIME | MAX 30ms | |
| BOUNCE TIME | MAX 5ms | |
| CONTACT VOLTAGE DROP | ≤50mV@100 A | |
| LIMIT BREAKING ABILITY | 4le/5ms, 1CYCLES | |
| DIELECTRIC STRENGTH | 1000V AC, 50Hz, 1min., LEAKAGE CURRENT ≤1 mA | |
| INSULATION RESISTANCE | ≥50MΩ@500VDC | |
| ELECTRIC LIFE | 6,000 CYCLES@48V DC | |
| MECHANICAL LIFE | 100,000 CYCLES | |
| WORKING DUTY | CONTINUOUS | |

| NO. | PN | NAME PLATE | |
|-----|--------------|-------------------|-------------------|
| | | "A" OF NAME PLATE | "B" OF NAME PLATE |
| 1 | DCNLB400NB24 | DCNLB400NB24 | 24V DC |
| 2 | DCNLB400NB48 | DCNLB400NB48 | 48V DC |

- NOTES:
- ALL SIZES ARE FOR REFERENCE ONLY.
 - SEE TABLE 2 FOR CONFIGURATION OF NAME PLATE, OPERATING VOLTAGE AND PNs.
 - MATERIALS AND FINISHING:
 - 1 BASE: THERMOSETTING PLASTIC, UL94V-0.
 - 2 CONTACTS: SILVER ALLOY.
 - 3 COIL STUD: COPPER ALLY, SILVER PLATED.
 - PRODUCT TECHNICAL PARAMETERS: SEE TABLE 1.
 - CONTACT ARRANGEMENT: SPST-NC.
 - CONNECTION STUD: M10 STUD, RECOMMENDED TORQUE 10 N•m ~ 13 N•m; M4 STUD, RECOMMENDED TORQUE 1.7 N•m ~ 2.5 N•m.
 - MOUNTING: M6 BOLT, RECOMMENDED TORQUE 6.8 N•m ~ 7.8 N•m.



CIRCUIT SCHEMATIC DIAGRAM



PER CHN-PD-008 PROCEDURE

● FITI / FUNCTION CRITICAL CHARACTERISTICS

<S> SAFETY / COMPLIANCE CRITICAL CHARACTERISTICS SYMBOL

CPK DENOTES CPK DIMENSIONS MINIMUM CPK VALUE

(ST) DENOTES A CHARACTERISTIC THAT PROVIDES AN INDICATION OF PROCESS PERFORMANCE PROCEDURE FOR MEASUREMENT AND TRACKING TO BE DEFINED IN LITTELFUSE INSPECTION INSTRUCTIONS

CP DENOTES CP DIMENSIONS. MINIMUM CP VALUE MUST BE WITHIN THE DIMENSIONAL LIMITATIONS SHOWN ON DRAWING AND INITIALLY LOCATED TO ALLOW FOR MAXIMUM TOOL LIFE

| NAME | DATE |
|----------------|-------------|
| DRAWN: B. WU | JAN/21/2022 |
| CHECKED: J. LI | JAN/21/2022 |

Littelfuse
Expertise Applied | Answers Delivered

FORM NO. CVP-PE40-0005 REV B
THIRD ANGLE PROJECTION

TITLE: DCNL 400A 48V CONTACTOR

DO NOT SCALE DRAWING

SCALE: 1:1

SHEET 1 OF 1