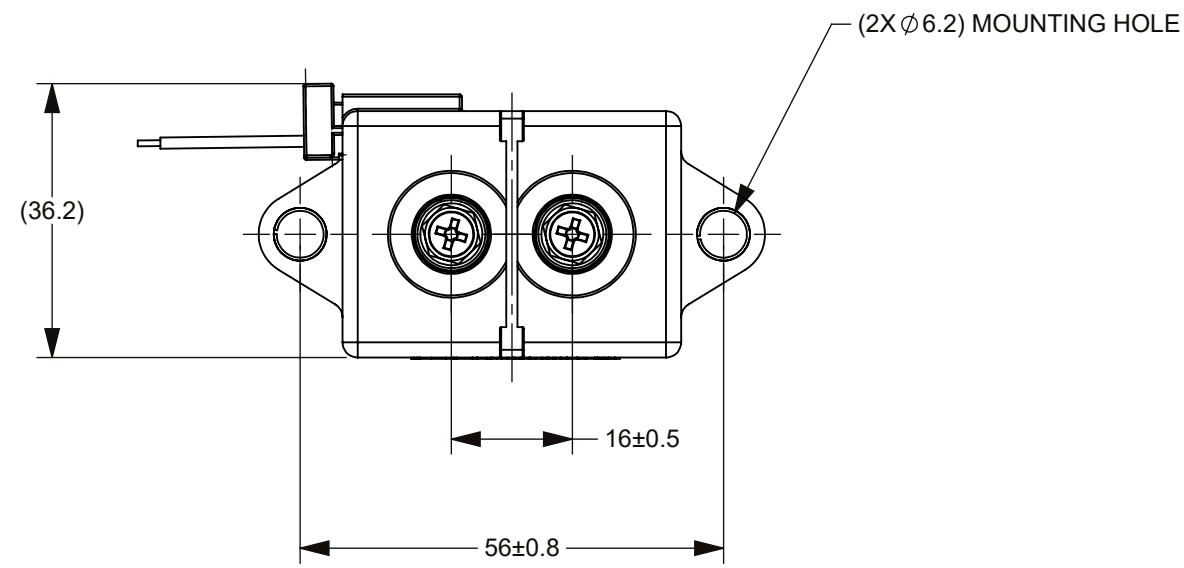
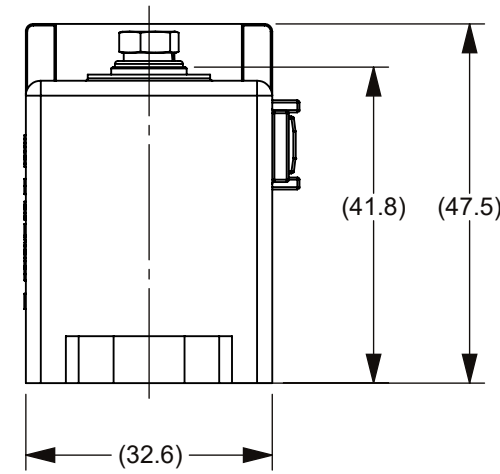
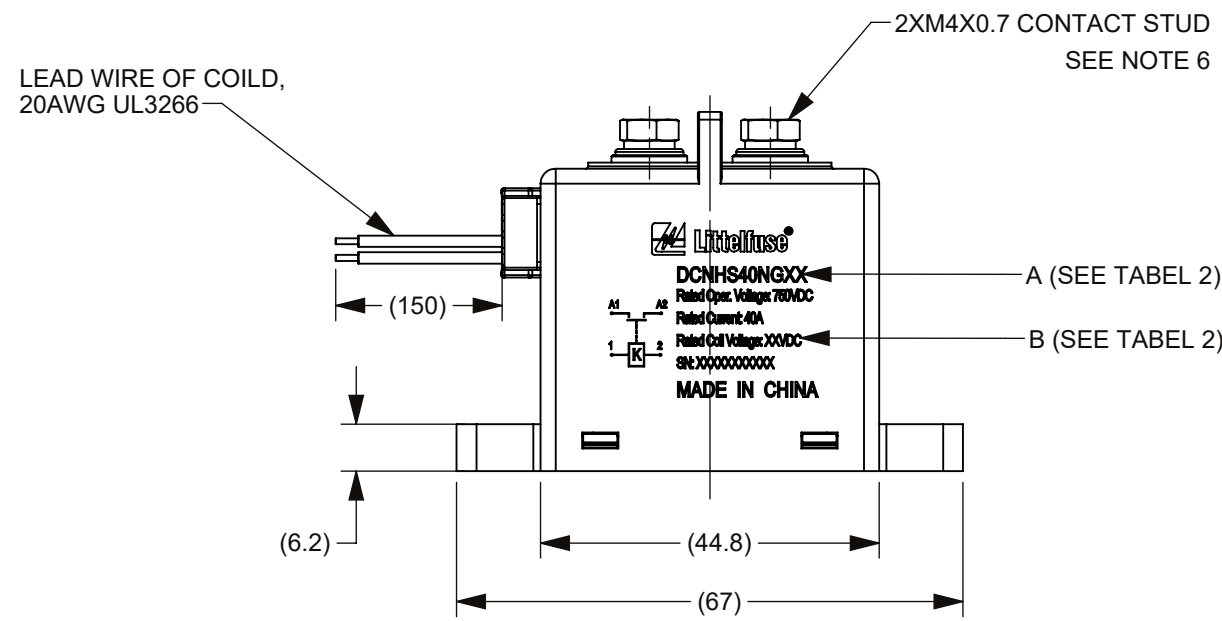
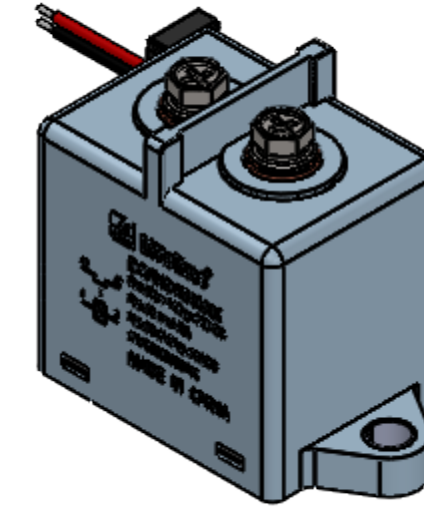
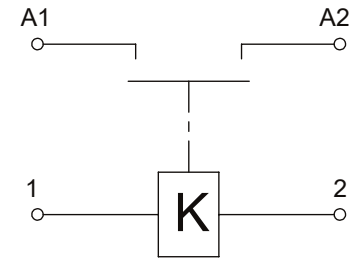


REVISIONS				
ZONE	REV.	DESCRIPTION	DATE	APPROVED
	A	GCF#525134 INITIAL RELEASE	DEC./30/2021	D. ZHANG



CIRCUIT SCHEMATIC DIAGRAM



PRODUCT PN	RATED COIL VOLTAGE (V DC)	"A" ON NAMEPLATE	"B" ON NAMEPLATE
DCNHS40NG12	12	DCNHS40NG12	12VDC
DCNHS40NG24	24	DCNHS40NG24	24VDC
DCNHS40NG48	48	DCNHS40NG48	48VDC

TABLE 1: TECHNICAL PARAMETERS

ITEM	PARAMETER	PARAMETER		
		DCNHS40NG12	DCNHS40NG24	DCNHS40NG48
RATED COIL VOLTAGE		12V DC	24V DC	48V DC
OPERATING VOLTAGE IN COLD STATE AT (20±5)°C	PICKUP (V DC)	MAX 8.4	MAX 16.8	MAX 33.6
	RELEASE (V DC)	MIN 1	MIN 1.9	MIN 3.8
OPERATE TIME		MAX 30ms		
RELEASE TIME		MAX 30ms		
BOUNCE TIME		MAX 7ms		
MAIN CONTACT RESISTANCE (@ 40A)		MAX 2mΩ		
DIELECTRIC STRENGTH (LEAKAGE CURRENT ≤1 mA)		2500V AC, 50Hz, 1min.		
INSULATION RESISTANCE		≥100MΩ @500VDC		
RATED CONTACT VOLTAGE		750V DC		
MAXIMUM CONTACT VOLTAGE		1000V DC		
RATED CONTACT CURRENT		40A		
LIMIT BREAKING ABILITY		4le/5ms, 1 CYCLES		
ELECTRIC LIFE		10000 CYCLES @750V		
MECHANICAL LIFE		200000 CYCLES		
WORKING DUTY		CONTINUOUS		

NOTES:

- ALL SIZES ARE FOR REFERENCE ONLY.
- MATERIALS AND FINISHED:
 - HOUSING: THERMOSETTING PLASTIC, UL94V-0.
 - CONTACTS: SILVER ALLOY.
- PRODUCT PN AND NAMEPLATE CONFIGURATION RELATION SEE TABLE 2.
- PRODUCT TECHNICAL PARAMETERS: SEE TABLE 1.
- MAIN CONTACT ARRANGEMENT: SPST-NO.
- CONNECTION BOLT: M4 BOLT, RECOMMENDED TORQUE 1.7 N·m ~ 2.5 N·m.
- MOUNTING: M6 BOLT, RECOMMENDED TORQUE 4 N·m ~ 6 N·m.

DIMENSIONS ARE SHOWN IN MILLIMETERS. DIMENSIONS AND TOLERANCES ARE DEFINED ACCORDING TO ANSI/ASME Y14.5-1994.

PER CHNFPD20-008 PROCEDURE

- FIT/ FUNCTION CRITICAL CHARACTERISTICS
- <S> SAFETY/ COMPLIANCE CRITICAL CHARACTERISTICS SYMBOL
- CPK DENOTES CPK DIMENSIONS MINIMUM CPK VALUE
- (ST) DENOTES A CHARACTERISTIC THAT PROVIDES AN INDICATION OF PROCESS PERFORMANCE PROCEDURE FOR MEASUREMENT AND TRACKING TO BE DEFINED IN LITTELFUSE INSPECTION INSTRUCTIONS
- CP DENOTES CP DIMENSIONS. MINIMUM CP VALUE MUST BE WITHIN THE DIMENSIONAL LIMITATIONS SHOWN ON DRAWING AND INITIALLY LOCATED TO ALLOW FOR MAXIMUM TOOL LIFE

NAME	DATE
V. ZHANG	DEC./17/2021
CHECKED	J. LI
	DEC./30/2021

FORM NO. CVP-PE40-0005 REV B
THIRD ANGLE PROJECTION

Littelfuse
Expertise Applied | Answers Delivered

TITLE
DCNHS 40A 750V COIL CONTACTOR

SIZE C DWG. NO. OL-DCNHS40NG.CHART REV. A
DO NOT SCALE DRAWING SCALE 1:1 SHEET 1 OF 1