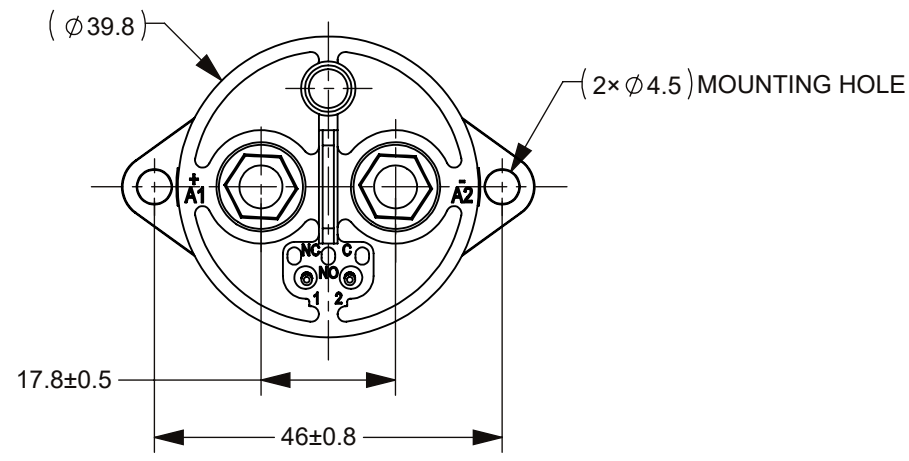


REVISIONS				
ZONE	REV.	DESCRIPTION	DATE	APPROVED
	A	GCF#524667 INITIAL RELEASE	AUG./25/2021	D. ZHANG
B8	B	ECR#525202 DELETE: "AUXILIARY CONTACT RESISTANCE" IN TABLE 1	5/10/2022	D. ZHANG



CIRCUIT SCHEMATIC DIAGRAM

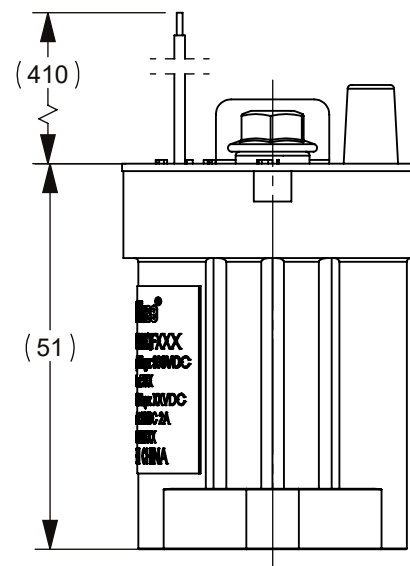
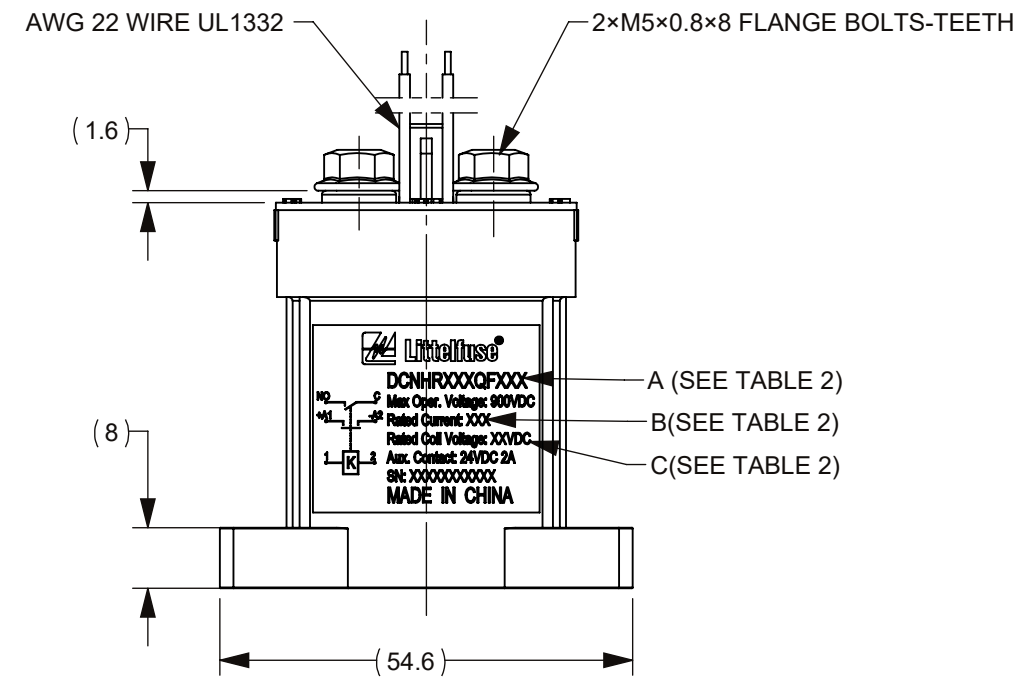
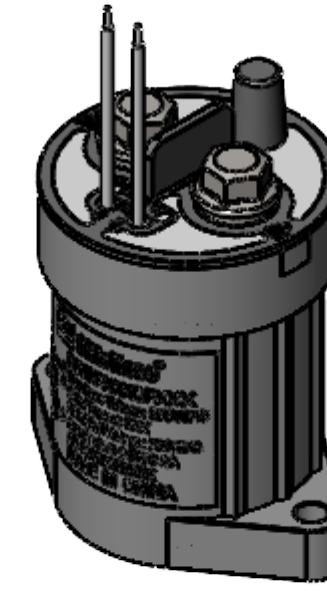
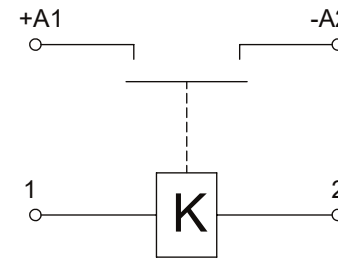


TABLE 1: TECHNICAL PARAMETERS

ITEM	PARAMETER						
	DCNHR100PF12	DCNHR100PF24	DCNHR100PF48	DCNH50PF12	DCNHR50PF24	DCNHR50PF48	
RATED COIL VOLTAGE	12V DC	24V DC	48V DC	12V DC	24V DC	48V DC	
OPERATING VOLTAGE IN COLD STATE AT (20±5) C	PICK-UP (V DC)	MAX 8.4	MAX 16.8	MAX 33.6	MAX 8.4	MAX 16.8	MAX 33.6
	RELEASE(V DC)	MIN 1	MIN 2	MIN 4	MIN 1	MIN 2	MIN 4
PICK-UP TIME	MAX 25ms						
RELEASE TIME	MAX 12ms						
BOUNCE TIME	MAX 7ms						
MAIN CONTACT RESISTANCE (@ 20A)	MAX 2mΩ						
DIELECTRIC STRENGTH (LEAKAGE CURRENT ≤1 mA)	2200V AC, 50Hz, 1min.						
INSULATION RESISTANCE	≥100MΩ@500VDC						
MAXIMUM CONTACT VOLTAGE	900V DC						
RATED CONTACT CURRENT	100A	100A	100A	50A	50A	50A	
LIMIT BREAKING ABILITY	4le/5ms, 1CYCLES						
ELECTRIC LIFE	3000 CYCLES(100A@450V DC)			6000 CYCLES(100A@450V DC)			
MECHANICAL LIFE	200,000 CYCLES						
WORKING DUTY	CONTINUOUS						

TABLE 2

PRODUCT NUMBER	"A"	"B"	"C"
DCNHR100PF12	DCNHR100PF12	100A	12V DC
DCNHR100PF24	DCNHR100PF24	100A	24V DC
DCNHR100PF48	DCNHR100PF48	100A	48V DC
DCNHR50PF12	DCNHR50PF12	50A	12V DC
DCNHR50PF24	DCNHR50PF24	50A	24V DC
DCNHR50PF48	DCNHR50PF48	50A	48V DC

NOTES:

- ALL SIZES ARE FOR REFERENCE ONLY.
- MATERIALS AND FINISHED:
 2.1 HOUSING: THERMOSETTING PLASTIC, UL94V-0.
 2.2 CONTACTS: SILVER ALLOY.
- PRODUCT PN AND NAMEPLATE CONFIGURATION RELATION SEE TABLE 2.
- PRODUCT TECHNICAL PARAMETERS: SEE TABLE 1.
- MAIN CONTACT ARRANGEMENT: SPST-NO.
- CONNECTION BOLT: M5 BOLT, RECOMMENDED TORQUE 3 N•m ~ 4 N•m.
- MOUNTING: M4 BOLT, RECOMMENDED TORQUE 1.7 N•m ~ 2.5 N•m.

DIMENSIONS ARE SHOWN IN MILLIMETERS. DIMENSIONS AND TOLERANCES ARE DEFINED ACCORDING TO ANSI/ASME Y14.5-1994.

PER CHNFPD20-008 PROCEDURE

- FIT/ FUNCTION CRITICAL CHARACTERISTICS
- <S> SAFETY/ COMPLIANCE CRITICAL CHARACTERISTICS SYMBOL
- CPK DENOTES CPK DIMENSIONS MINIMUM CPK VALUE
- (ST) DENOTES A CHARACTERISTIC THAT PROVIDES AN INDICATION OF PROCESS PERFORMANCE PROCEDURE FOR MEASUREMENT AND TRACKING TO BE DEFINED IN LITTELFUSE INSPECTION INSTRUCTIONS
- CP DENOTES CP DIMENSIONS. MINIMUM CP VALUE MUST BE WITHIN THE DIMENSIONAL LIMITATIONS SHOWN ON DRAWING AND INITIALLY LOCATED TO ALLOW FOR MAXIMUM TOOL LIFE

DRAWN	MJ. DAI	AUG./25/2021
CHECKED	J. LI	AUG./30/2021
FORM NO.	CVP-PE40-0005 REV B	
THIRD ANGLE PROJECTION		
DO NOT SCALE DRAWING	SCALE 1:1	SHEET 1 OF 1

Littelfuse
 Expertise Applied | Answers Delivered

TITLE: DCNHR 100A HIGH VOLTAGE CONTACTOR WITH POLARITY

SIZE C DWG. NO. OL-DCNHR100PF CHT REV. B
 OUTLINE