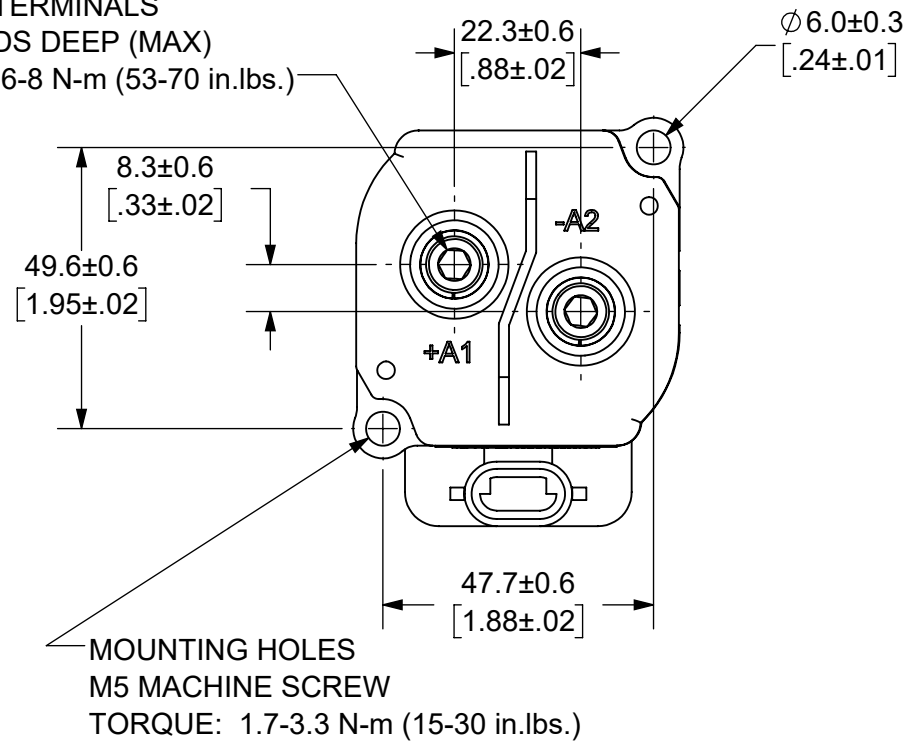


THIS DRAWING AND THE INFORMATION CONTAINED WITHIN IT ARE CONFIDENTIAL AND MAY NOT BE COPIED OR DISCLOSED WITHOUT THE WRITTEN PERMISSION OF LITTELFUSE.

REVISIONS

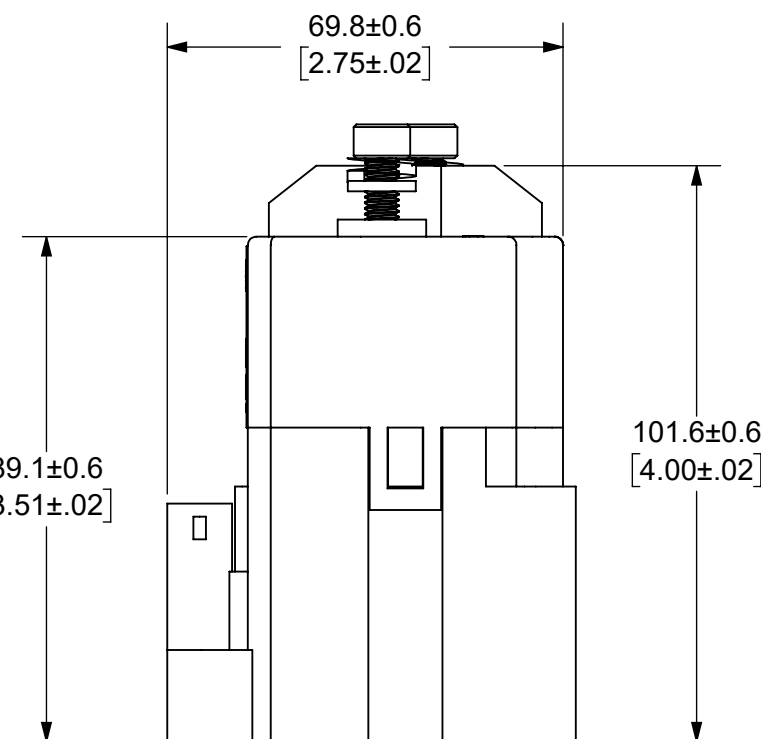
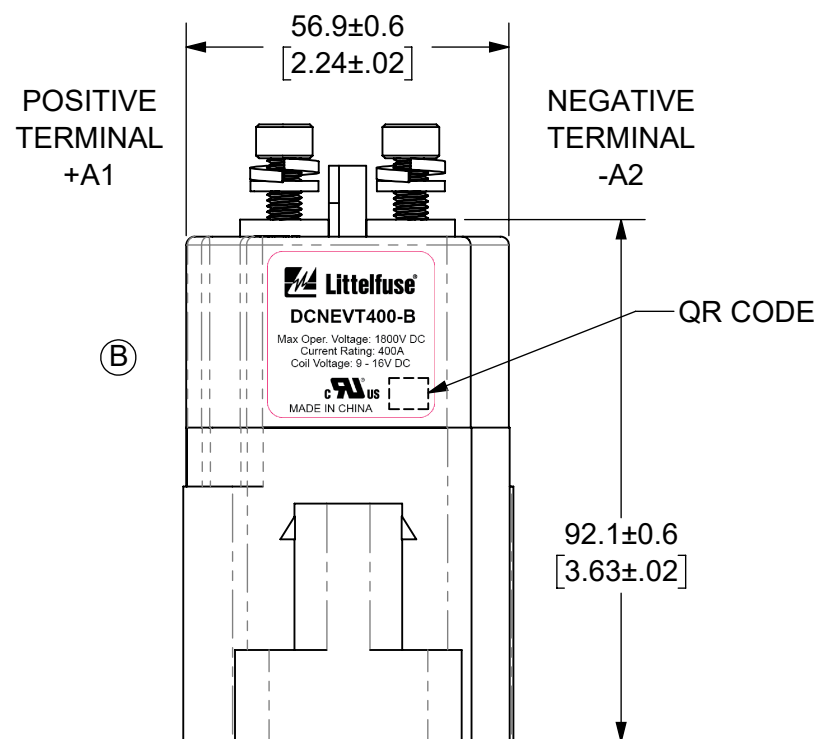
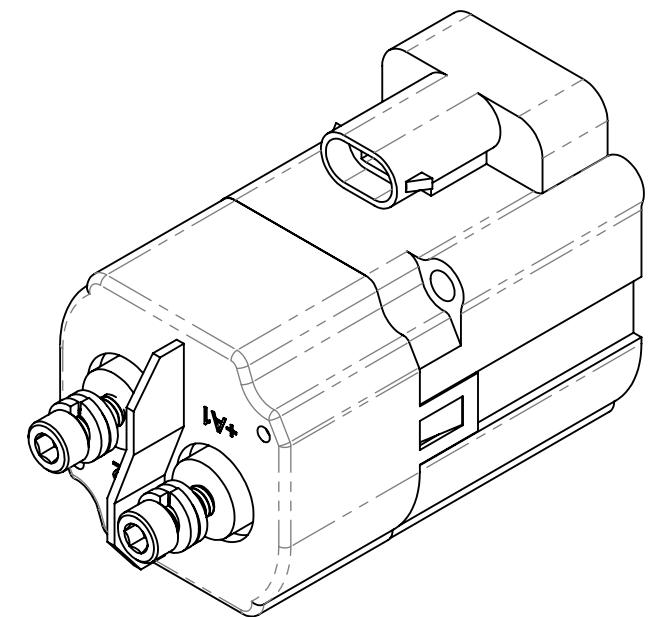
ZONE	REV.	DESCRIPTION	DATE	APPROVED
	A	INITIAL RELEASE. GCF 500000021763	12/16/2019	DGK
C7, D5	B	UPDATED LABEL. ADDED NOTE 9. ECR 522500	7/24/2020	DGK

(2) M6 x 1 TERMINALS
12 THREADS DEEP (MAX)
TORQUE: 6-8 N-m (53-70 in.lbs.)



NOTES: UNLESS OTHERWISE SPECIFIED

- CONTACT ARRANGEMENT: SPST-NO
- CONTINUOUS CURRENT RATING: 400 AMPS
- CONTACT VOLTAGE RATING: 12 - 1,800 VDC
- CONTACT TERMINALS POLARIZED
- HARDWARE: 2 - M6 MACHINE SCREWS, 2 - M6 LOCKWASHERS, 2 - M6 FLAT WASHERS
- WEIGHT: 800 GRAMS (28.2 OZ.)
- RoHS COMPLIANT
- COIL CONNECTOR INCLUDED WITH 7 INCH WIRE LEADS.
- UL RECOGNIZED FOR CANADA AND THE UNITED STATES.



●		FIT/ FUNCTION CRITICAL CHARACTERISTICS SYMBOL
<S>		SAFETY/ COMPLIANCE CRITICAL CHARACTERISTICS SYMBOL
CPK		DENOTES CPK DIMENSIONS MINIMUM CPK VALUE
ST		DENOTES A CHARACTERISTIC THAT PROVIDES AN INDICATION OF PROCESS PERFORMANCE PROCEDURE FOR MEASUREMENT AND TRACKING TO BE DEFINED IN LITTELFUSE INSPECTION INSTRUCTIONS
CP		DENOTES CP DIMENSIONS. -MINIMUM CP VALUE MUST BE WITHIN THE DIMENSIONAL LIMITATIONS SHOWN ON DRAWING AND INITIALLY LOCATED TO ALLOW FOR MAXIMUM TOOL LIFE
DIMENSION: MM TOLERANCES UNLESS OTHERWISE SPECIFIED ONE PLACE DECIMAL ± 0.5 THREE PLACES DECIMAL ± 0.100 TWO PLACES DECIMAL ± 0.20 ANGULAR ± 2°		
NAME	DATE	
DRAWN DGK	11/26/2019	
CHECKED AH	12/13/2019	
FORM NO: CVP-PE40-0004 REV A		
THIRD ANGLE PROJECTION		
DO NOT SCALE DRAWING		
Expertise Applied Answers Delivered		
TITLE		
DC CONTACTOR, 400 AMP		
12 VDC		
SIZE B	DWG. NO. OL-DCNEVT400-B	OUTLINE REV. B
SCALE 3:4		SHEET 1 OF 1

ENGINEERING DESIGN DATA

COIL DATA							SHORT CIRCUIT	DIELECTRIC VOLTAGE	ELECTRICAL LIFE
COIL VOLTAGE (VDC)	NOMINAL POWER (WATTS)	PICK-UP VOLTAGE (VDC)	DROP-OUT VOLTAGE (VDC)	MAX. VOLTAGE (VDC)	INRUSH CURRENT (MAX)	HOLDING CURRENT	MAX @ 450 VDC	(VRMS)	400A @ 450VDC (CYCLES)
12	4.1	9	5	16	2.8A	0.34A	2,300 A	2,200	2000