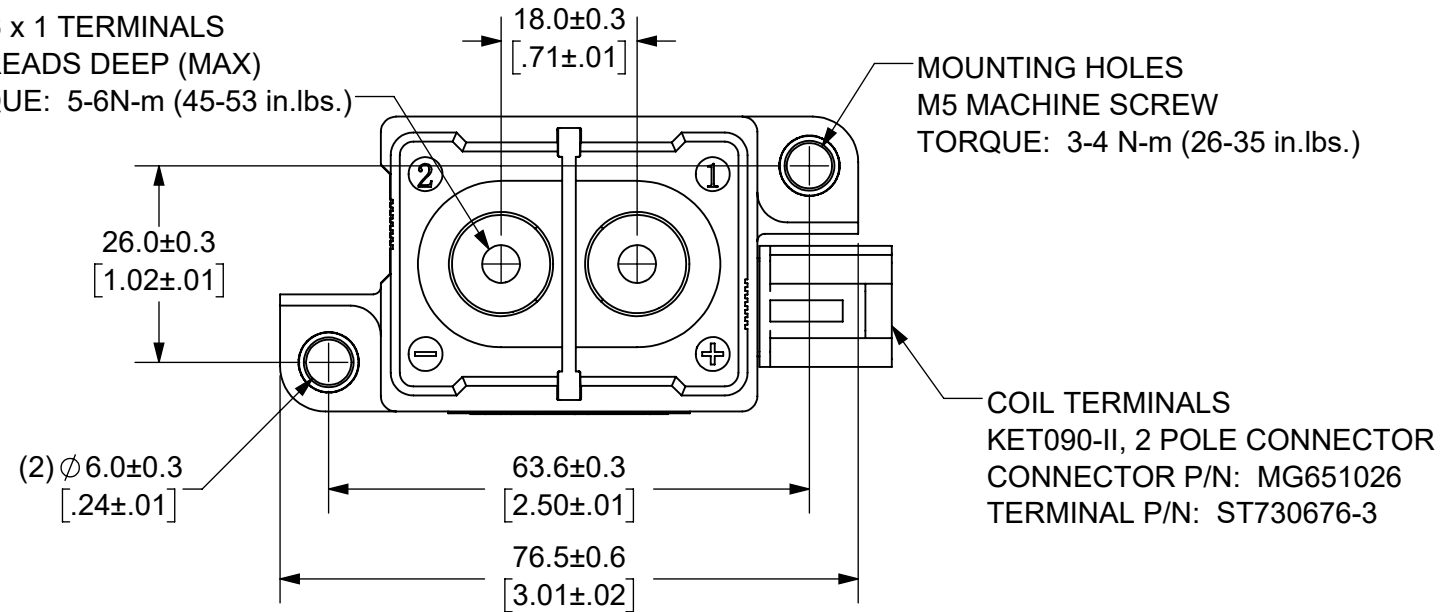


THIS DRAWING AND THE INFORMATION CONTAINED WITHIN IT ARE CONFIDENTIAL AND MAY NOT BE COPIED OR DISCLOSED WITHOUT THE WRITTEN PERMISSION OF LITTELFUSE.

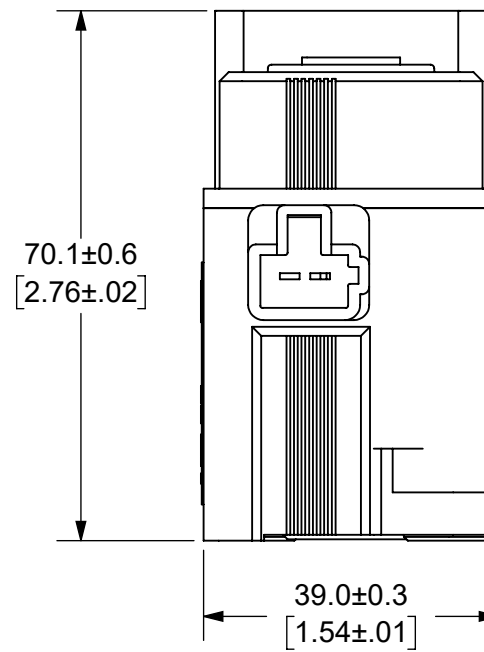
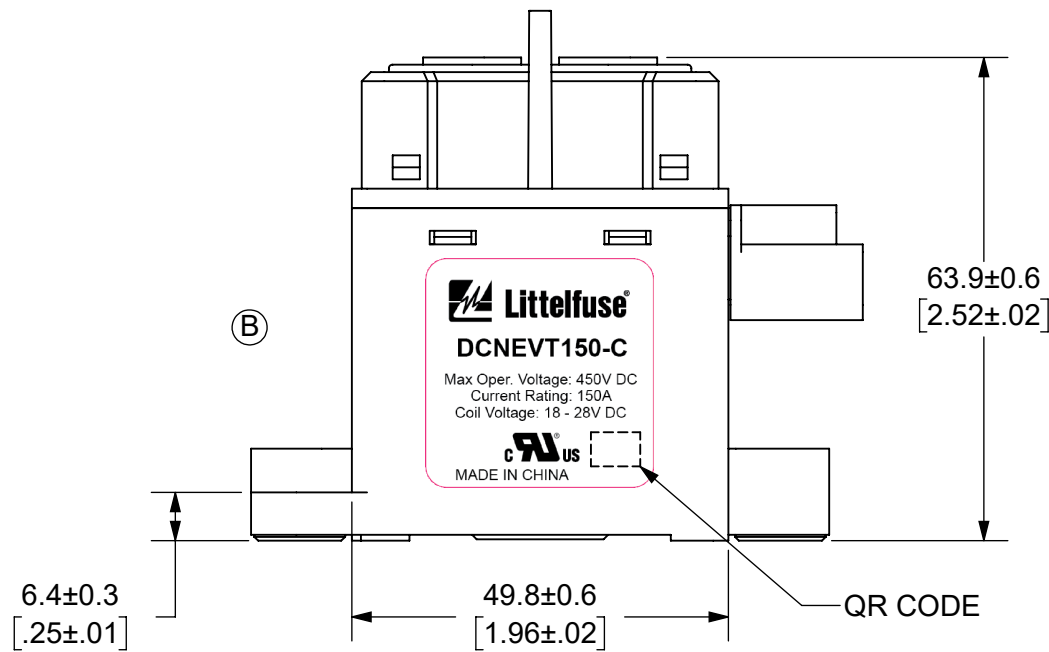
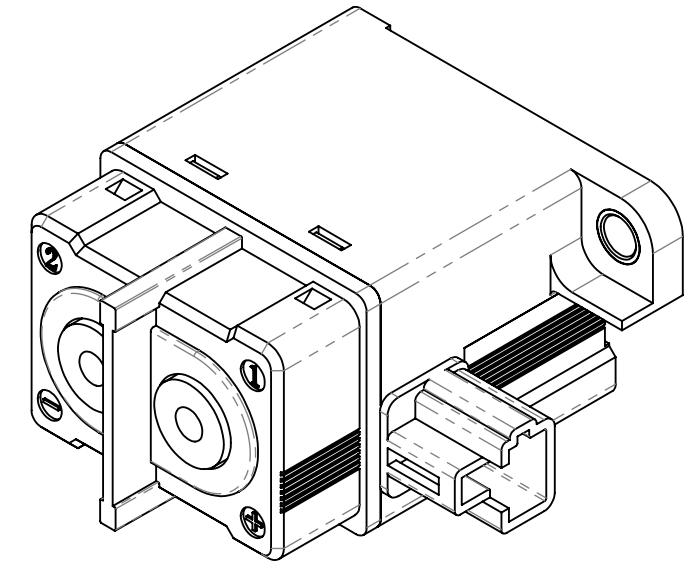
REVISIONS

ZONE	REV.	DESCRIPTION	DATE	APPROVED
	A	INITIAL RELEASE. GCF 500000021759	12/11/2019	DGK
C7, E4	B	UPDATED LABEL. ADDED NOTE 8. ECR 522500	7/15/2020	DGK

(2) M6 x 1 TERMINALS
7 THREADS DEEP (MAX)
TORQUE: 5-6N-m (45-53 in.lbs.)



- NOTES: UNLESS OTHERWISE SPECIFIED
- CONTACT ARRANGEMENT: SPST-NO
 - CONTINUOUS CURRENT RATING: 150 AMPS
 - CONTACT VOLTAGE RATING: 12 - 450 VDC
 - CONTACT TERMINALS POLARIZED
 - HARDWARE: NONE
 - WEIGHT: 385 GRAMS (13.5 OZ.)
 - RoHS COMPLIANT
 - UL RECOGNIZED FOR CANADA AND THE UNITED STATES.



NAME		DATE
DRAWN	DGK	11/21/2019
CHECKED	AH	12/11/2019

DIMENSION: MM TOLERANCES UNLESS OTHERWISE SPECIFIED
 ONE PLACE DECIMAL ± 0.5 THREE PLACES DECIMAL ± 0.100
 TWO PLACES DECIMAL ± 0.20 ANGULAR ± 2°

Littelfuse
 Expertise Applied | Answers Delivered

FORM NO: CVP-PE40-0004 REV A
 THIRD ANGLE PROJECTION

DO NOT SCALE DRAWING

TITLE
 DC CONTACTOR, 150 AMP
 24 VDC, BOTTOM MOUNT

SIZE B DWG. NO. OL-DCNEVT150-C OUTLINE REV. B

SCALE 1:1 SHEET 1 OF 1

ENGINEERING DESIGN DATA

COIL DATA						SHORT CIRCUIT	DIELECTRIC VOLTAGE	ELECTRICAL LIFE
COIL VOLTAGE (VDC)	NOMINAL POWER (WATTS)	PICK-UP VOLTAGE (VDC)	DROP-OUT VOLTAGE (VDC)	MAX. VOLTAGE (VDC)	INRUSH CURRENT (MAX)	MAX @ 450 VDC	(VRMS)	150A @ 450VDC (CYCLES)
24	6.0	18	2.4	28	250mA	1,500 A	2,200	5,000