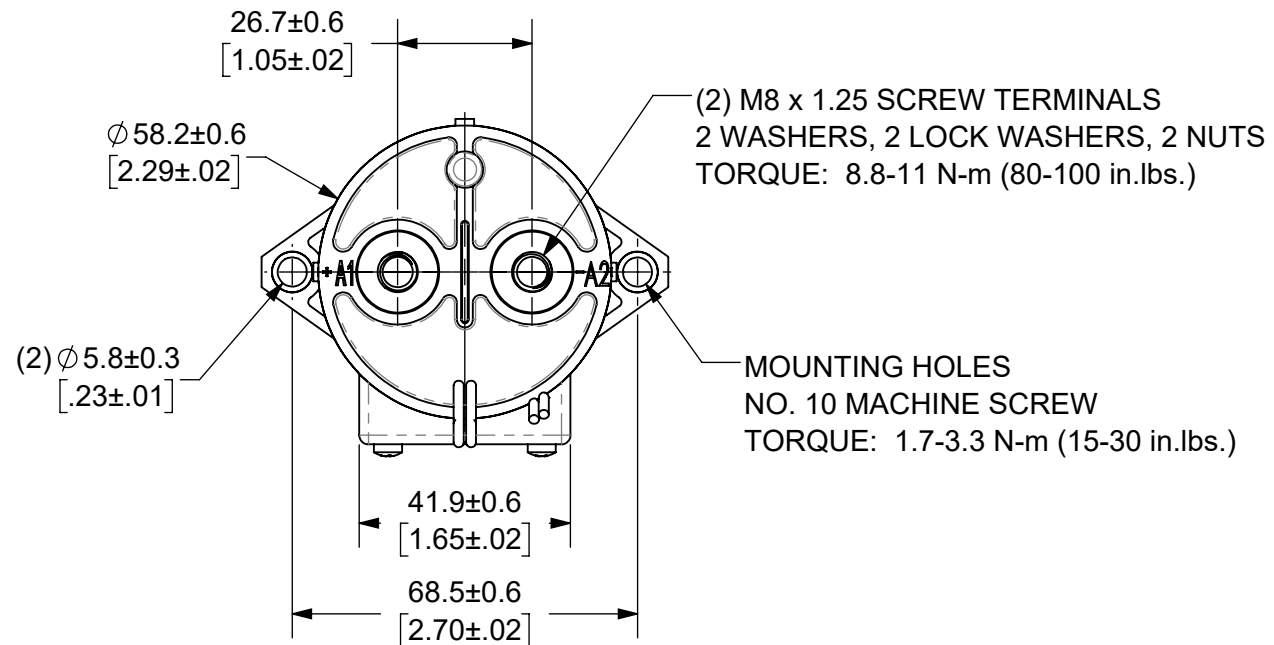


THIS DRAWING AND THE INFORMATION CONTAINED WITHIN IT ARE CONFIDENTIAL AND MAY NOT BE COPIED OR DISCLOSED WITHOUT THE WRITTEN PERMISSION OF LITTELFUSE.

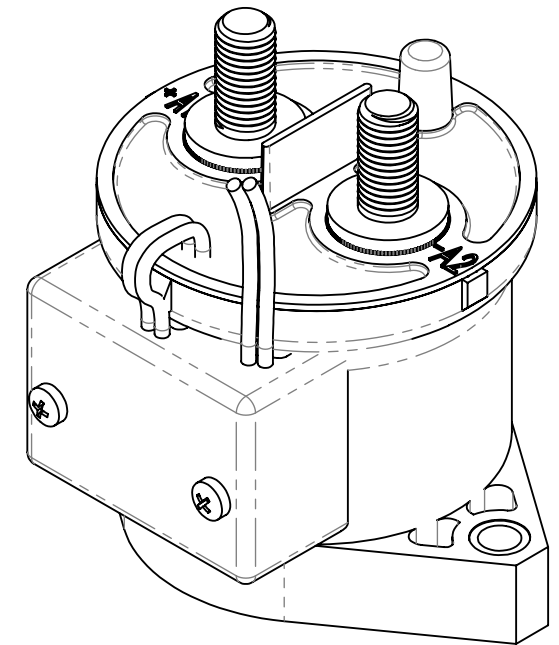
REVISIONS				
ZONE	REV.	DESCRIPTION	DATE	APPROVED
	A	INITIAL RELEASE. GCF 500000021760	12/16/2019	DGK



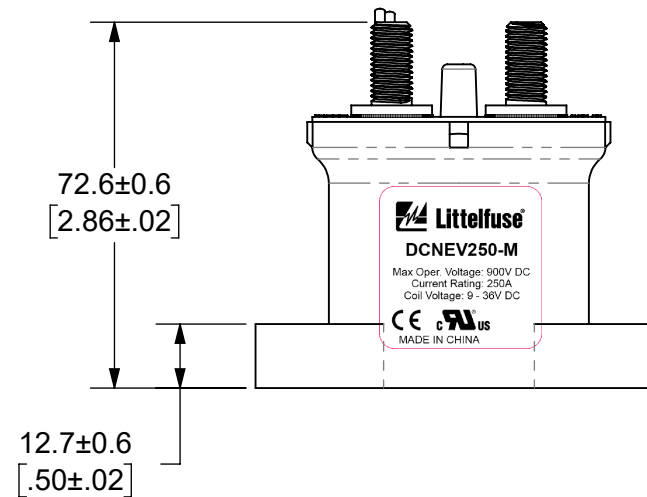
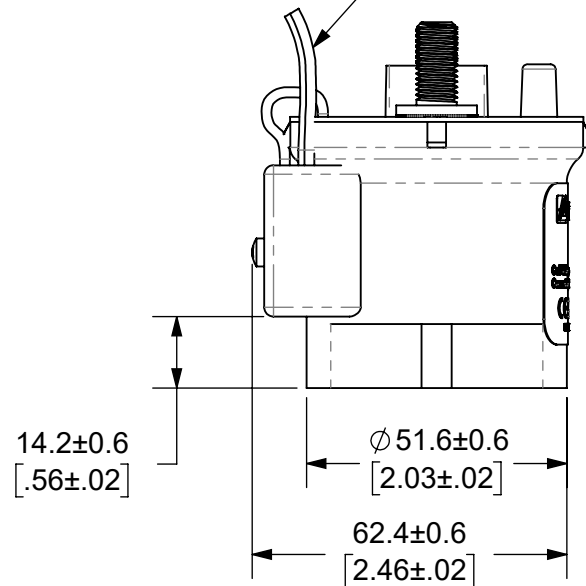
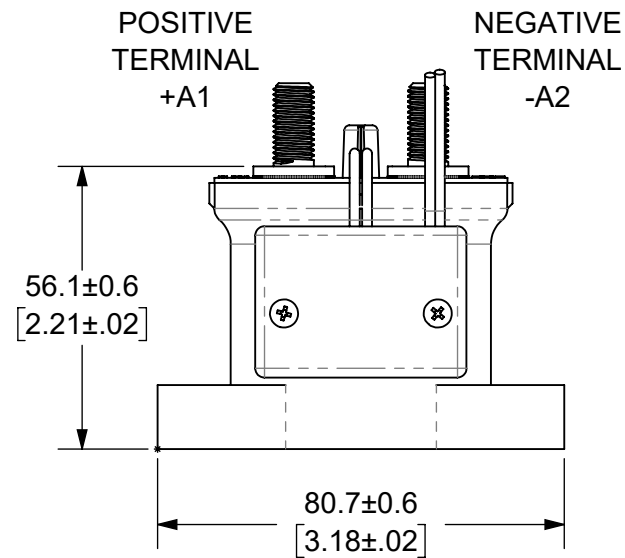
- NOTES: UNLESS OTHERWISE SPECIFIED
- CONTACT ARRANGEMENT: SPST-NO
 - CONTINUOUS CURRENT RATING: 250 AMPS
 - CONTACT VOLTAGE RATING: 12 - 900 VDC
 - CONTACT TERMINALS POLARIZED
 - HARDWARE: 2 - M8 NUTS, 2 - M8 LOCKWASHERS, 2 - M8 FLAT WASHERS
 - WEIGHT: 430 GRAMS (15 OZ.)
 - CERTIFICATIONS:

UL RECOGNIZED FOR CANADA AND THE UNITED STATES.
EUROPEAN ECONOMIC AREA RECOGNIZED.

8. RoHS COMPLIANT



COIL WIRES
RED (+), BLACK (-)
LENGTH: 390±10 [15.4±.4]



NAME		DATE	 Expertise Applied Answers Delivered
DRAWN	DGK	11/25/2019	
CHECKED	AH	12/13/2019	
FORM NO: CVP-PE40-0004 REV A			TITLE DC CONTACTOR, 250 AMP 12-24 VDC
THIRD ANGLE PROJECTION			
DO NOT SCALE DRAWING	SCALE 2:3		SIZE B DWG. NO. OL-DCNEV250-M OUTLINE REV. A SHEET 1 OF 1

ENGINEERING DESIGN DATA

COIL DATA							SHORT CIRCUIT	DIELECTRIC VOLTAGE	ELECTRICAL LIFE
COIL VOLTAGE (VDC)	NOMINAL POWER (WATTS)	PICK-UP VOLTAGE (VDC)	DROP-OUT VOLTAGE (VDC)	MAX. VOLTAGE (VDC)	INRUSH CURRENT (MAX)	HOLDING CURRENT	MAX @ 320 VDC	(VRMS)	250A @ 450VDC (CYCLES)
12-24	1.7	9	6	36	3.8A	0.13A@12VDC 0.07A@24VDC	2,000 A	2,200	5,000